

200x100x40 cm*

78.7" x 39.4" x 15.7"

SIMONRACING BOX Plus 3/400

5 Años Garantía
Years Guarantee
Jahre Garantie
Ans Garantie
SIMONRACK



200 kg
(441 lb)



8 x
100 cm
39.4"

6 x
100 cm
39.4"

6 x
40 cm
15.7"

1 x
100x40 cm
39.4"x15.7"

2 x
100x40 cm
39.4"x15.7"

4 x

4 x

2 x
40 cm
15.7"

1 x
35 kg
77.2 lb
41,5x91,5 cm
16.3"x36"

600 kg
(1323 lb)
Total

200 cm (78.7")

40 cm (15.7")

100 cm (39.4")



*MEDIDAS EN USO • USED MEASUREMENTS
MASSNAHMEN IM EINSATZ • MESURES EN EMPLOI:
1979 x 1011 x 410 mm (77.91" x 39.80" x 16.14")

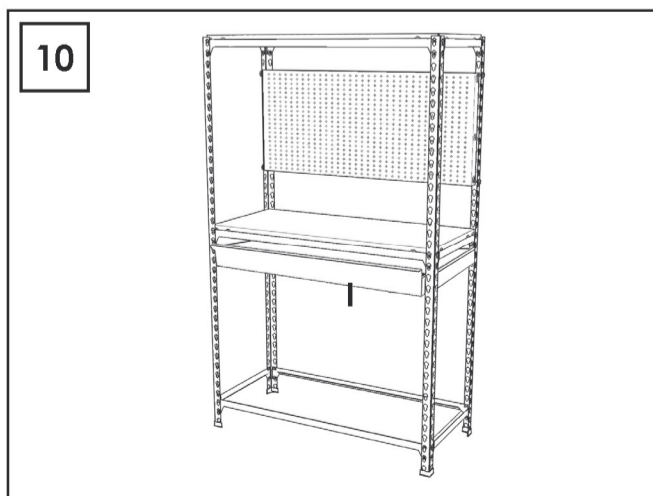
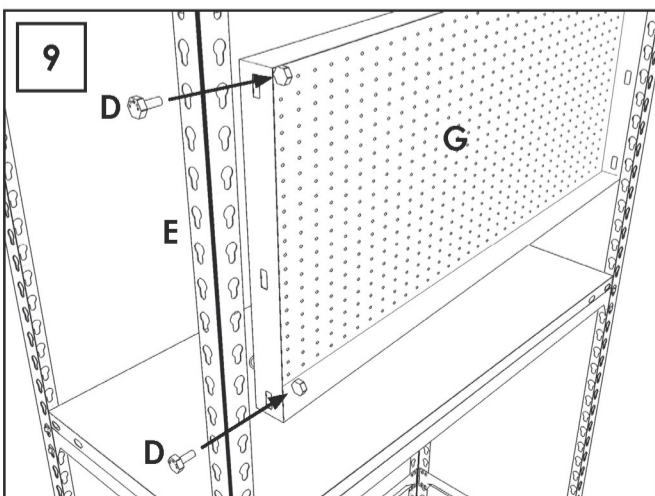
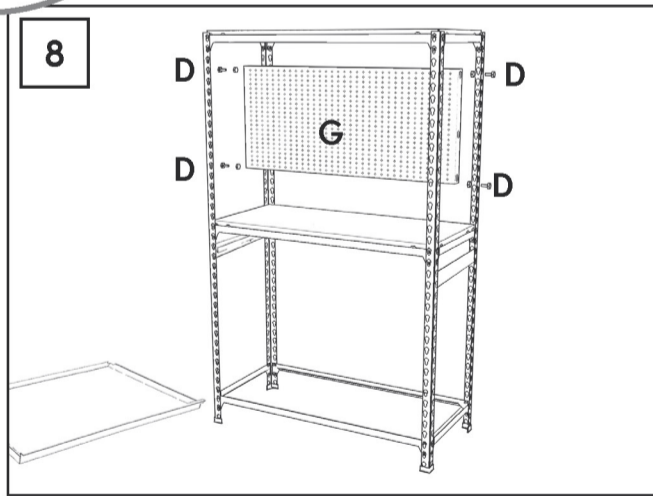
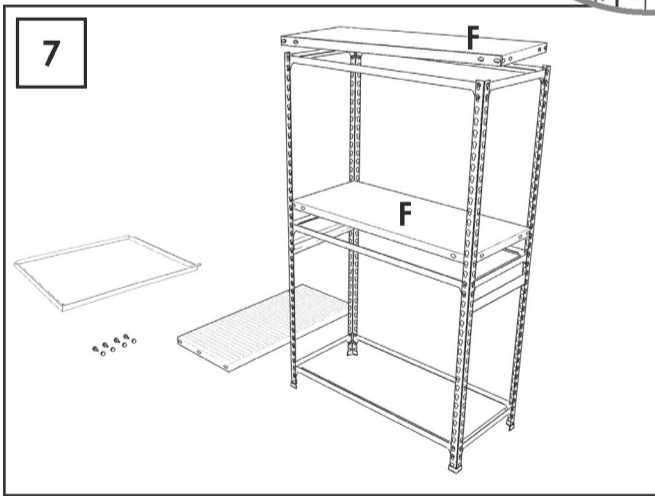
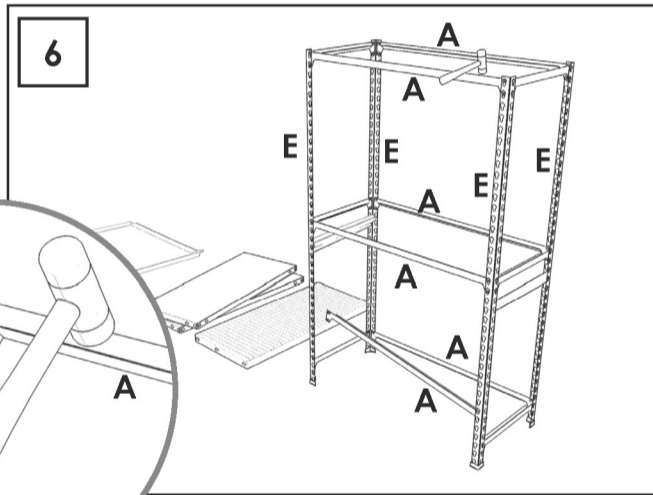
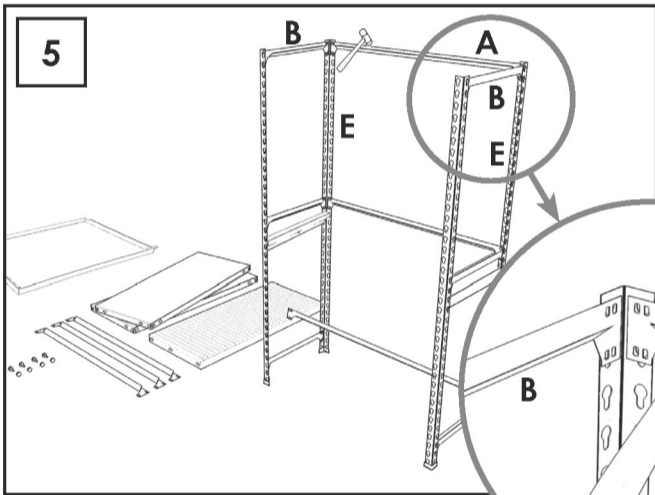
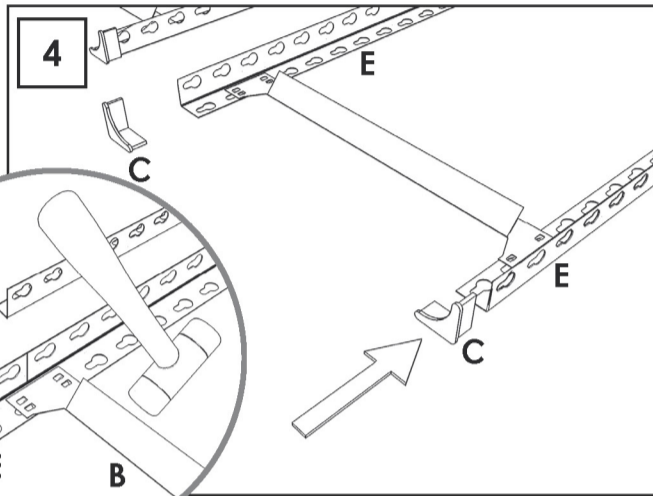
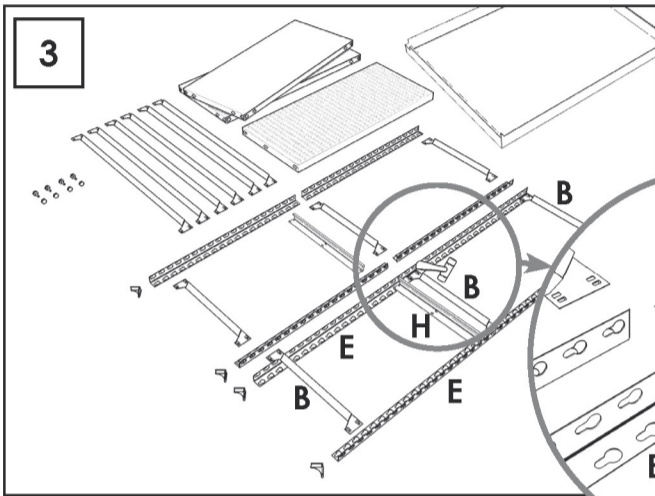
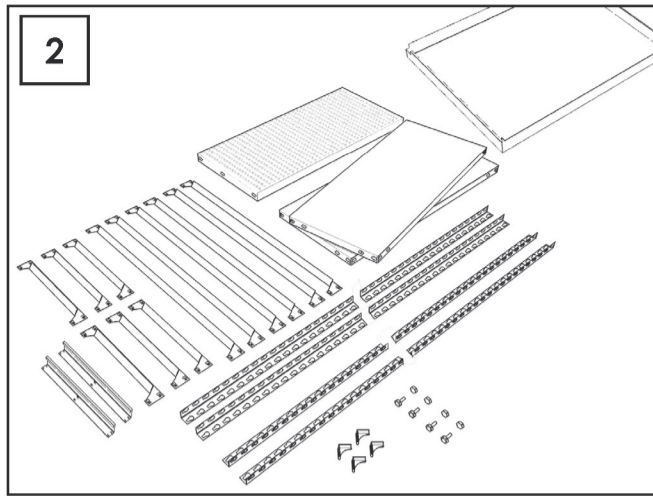
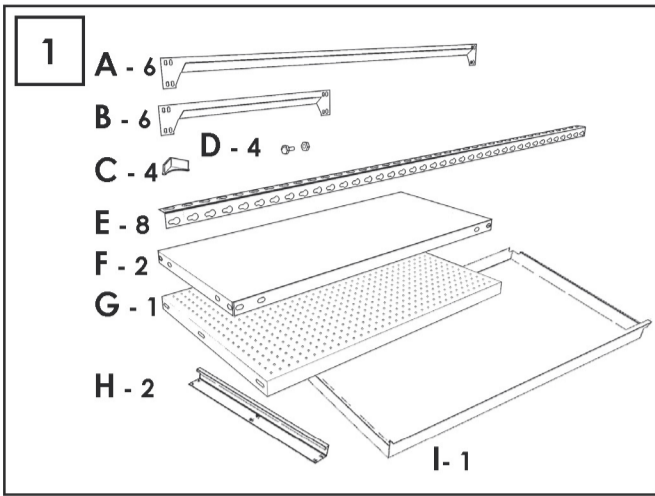


ESTANTERIAS SIMON S.L. B.50.556.463
PG. ALFAMEN C/ POLIGONO C. N°3
ALFAMEN (ZARAGOZA)



www.simonrack.com





SIMONCLASSIC



SIMONCLICK



SIMONTALLER



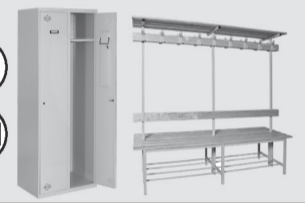
SIMONAUTO



SIMONWORK



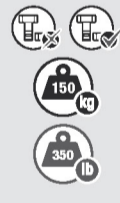
SIMONLOCKER



SIMONOFFICE



SIMONHOME



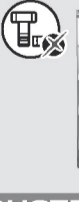
SIMONGARDEN



SIMONTITÁN



SIMONINOX



SIMONINDUSTRIAL

SIMONPALET



SIMONLEVER



ALTILLOS Y PASILLOS ELEVADOS
PLATFORMS AND MEZZANINES
LAGERBÜHNEN • PLATES-FORMES ET MEZZANINES

