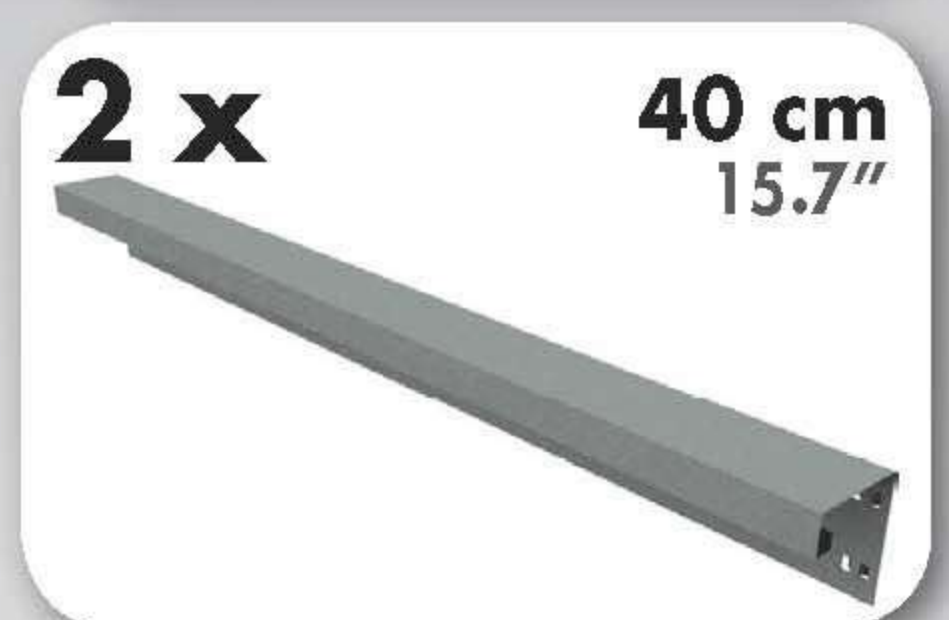


200x100x40 cm*

78.7" x 39.4" x 15.7"

SIMONRACING BOX Plus 3/400

5 Años Garantía
Years Guarantee
Jahre Garantie
Ans Garantie
SIMONRACK



600 kg
(1323 lb)
Total

200 cm (78.7")

40 cm (15.7")

100 cm (39.4")



Simon Rack
SINCE 1964 - MANUFACTURER

*MEDIDAS EN USO / USED MEASUREMENTS / MASSNAHMEN IM EINSATZ / MESURES EN EMPLOI / MEDIDAS EN USO:
1975 X 1010 X 410 mm (77.7" x 39.7" x 16.1")

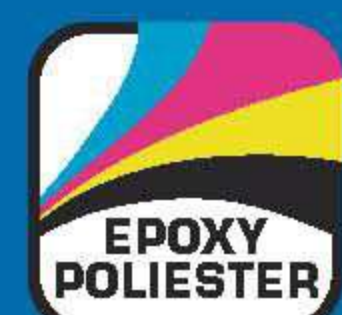


ESTANTERIAS SIMON S.L. B.50.556.463
PG. ALFAMEN C/ POLIGONO C. N.º3
ALFAMEN (ZARAGOZA)

www.simonrack.com

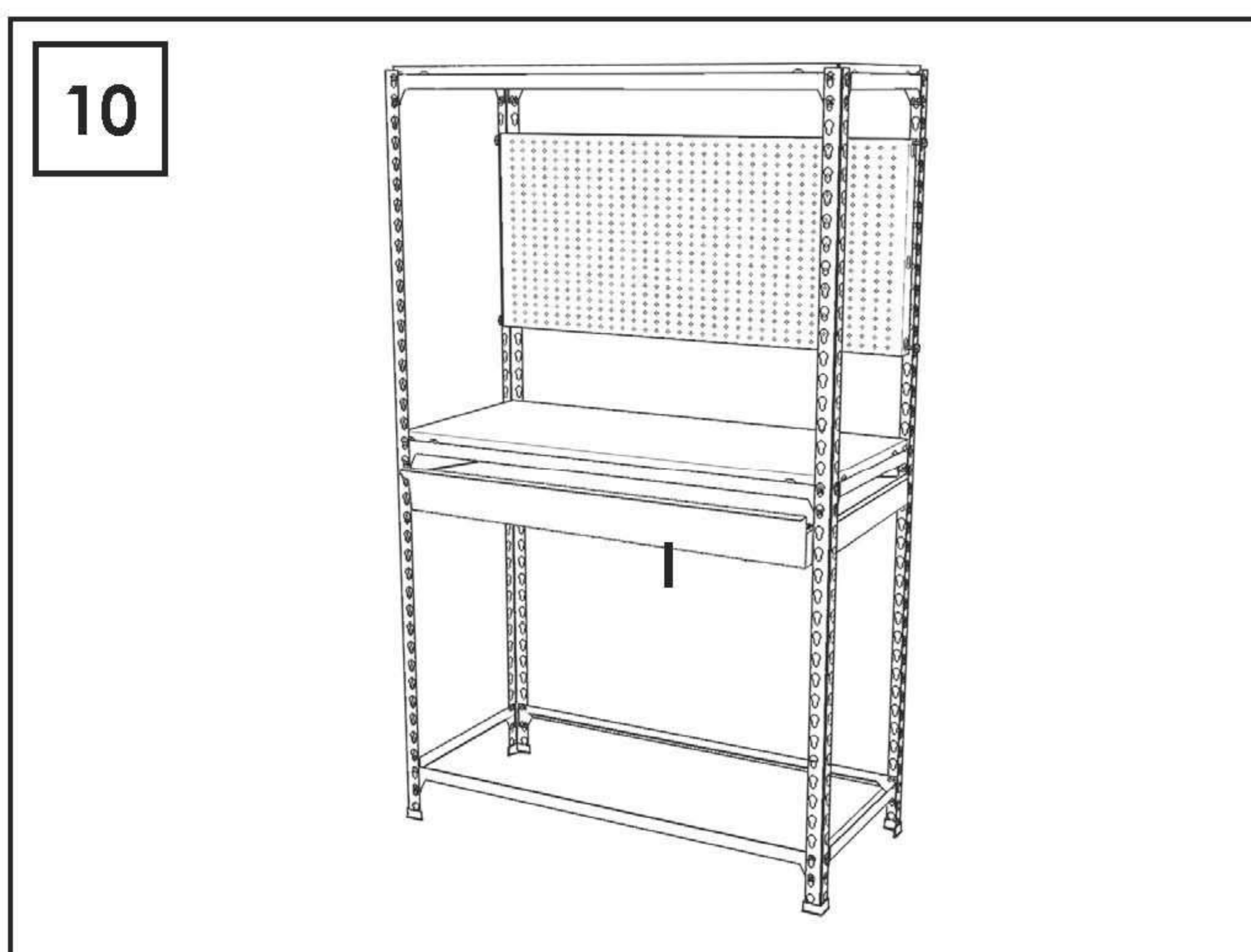
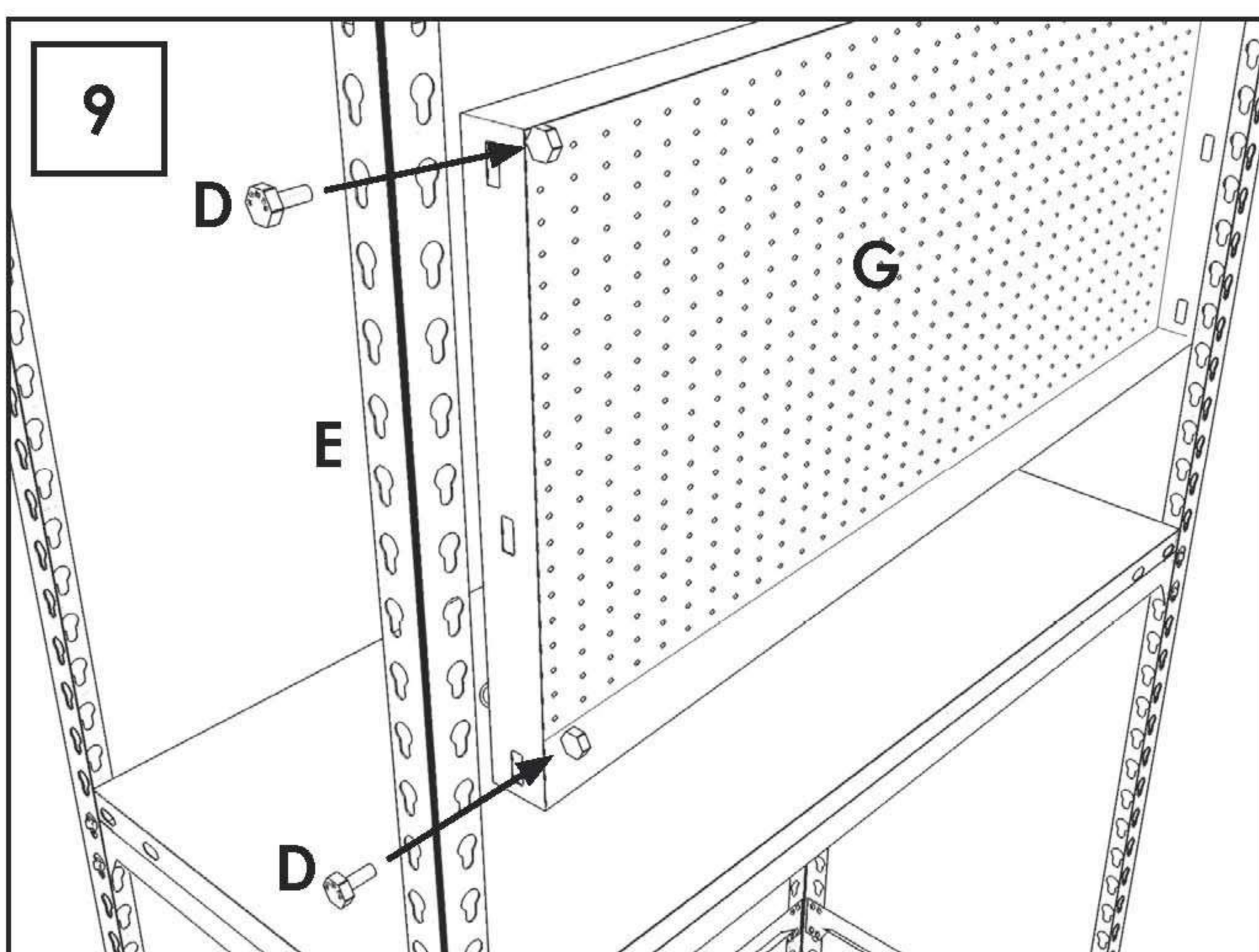
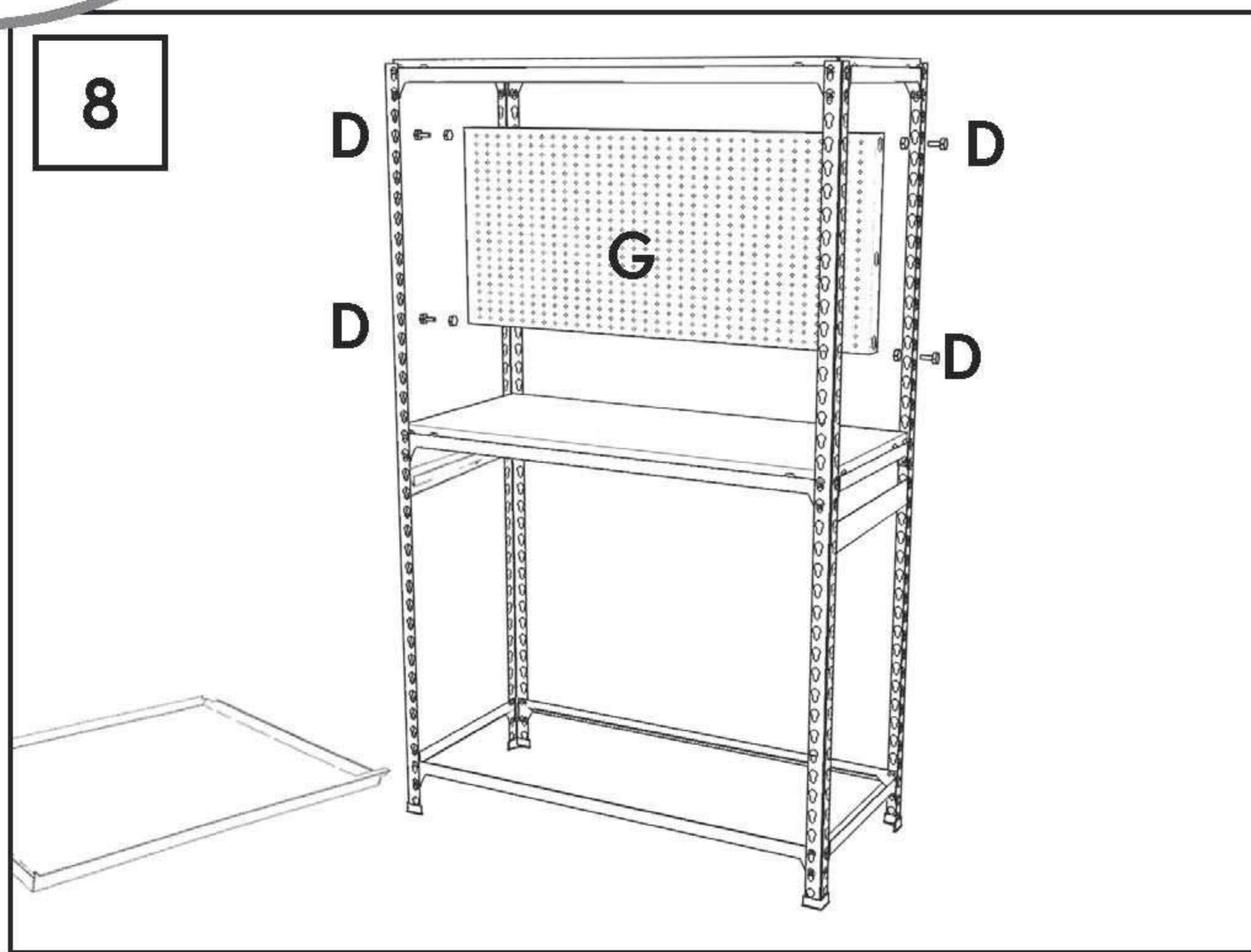
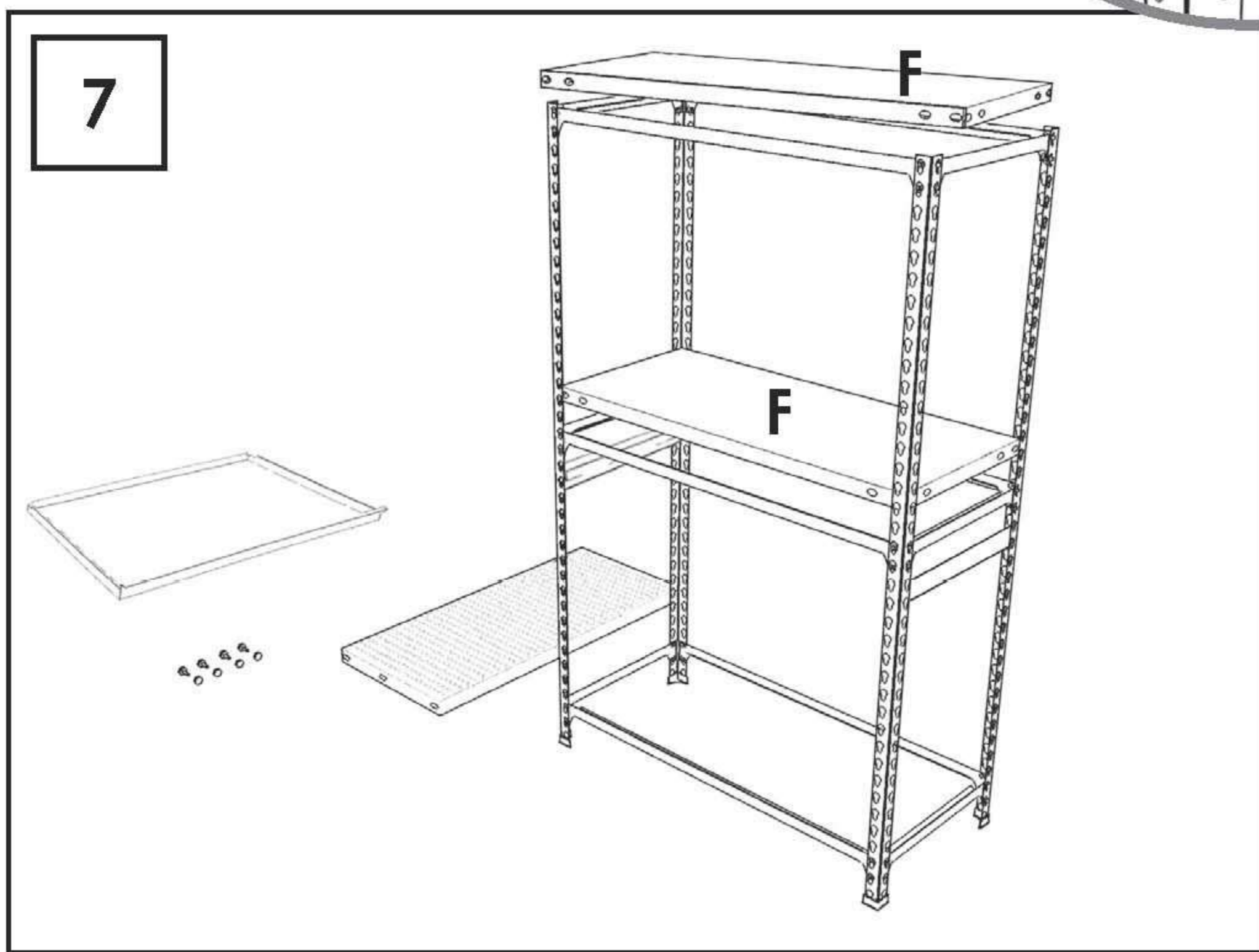
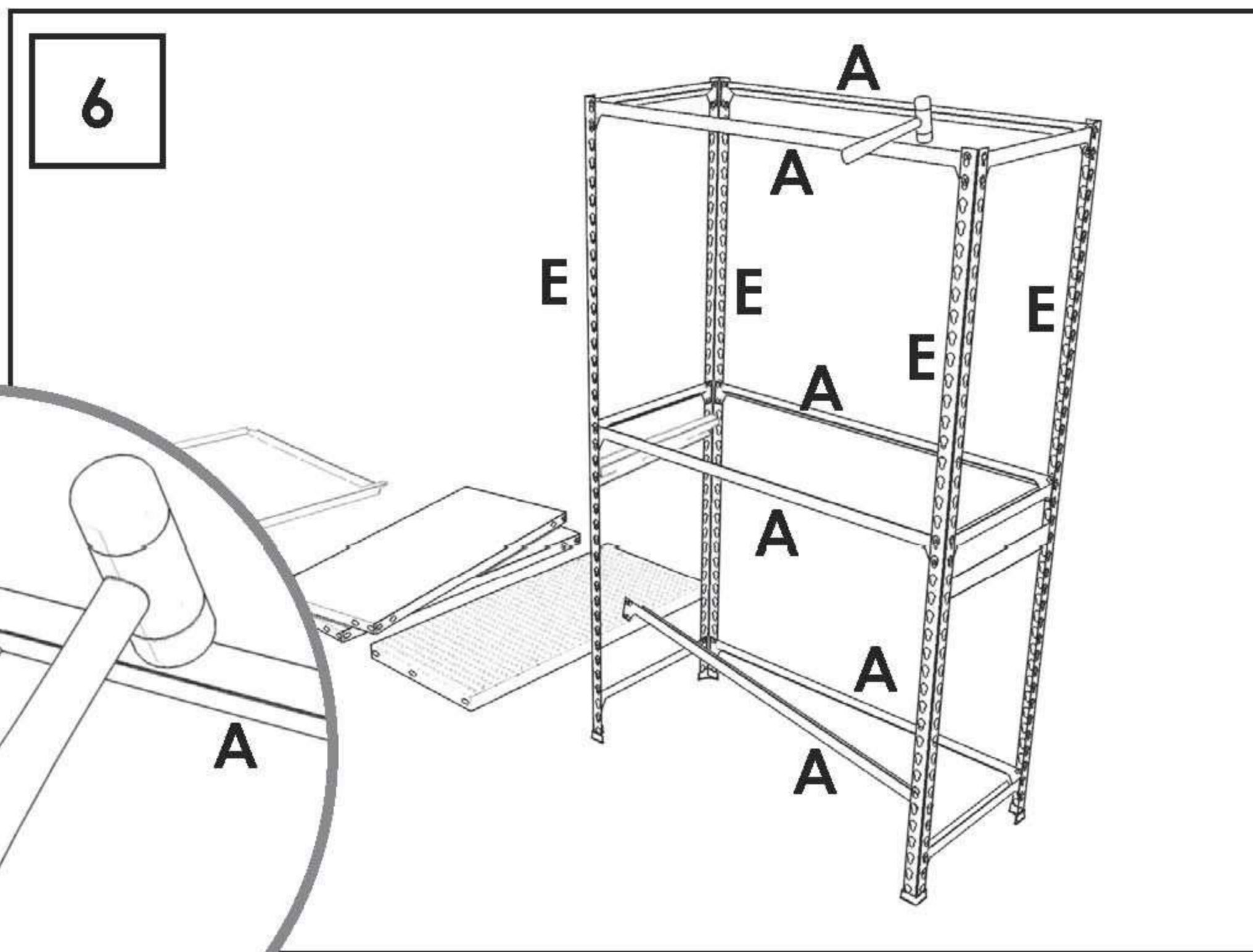
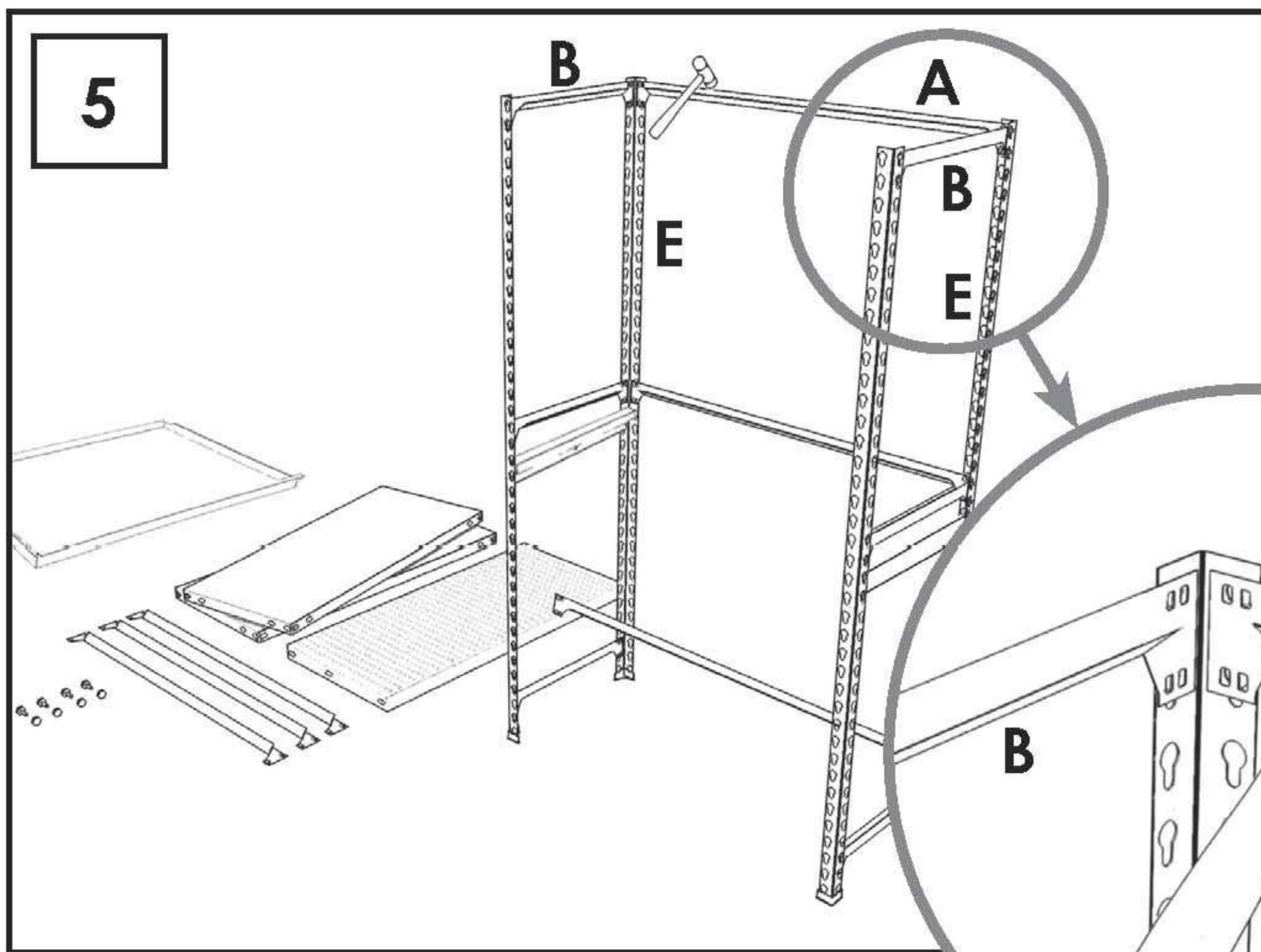
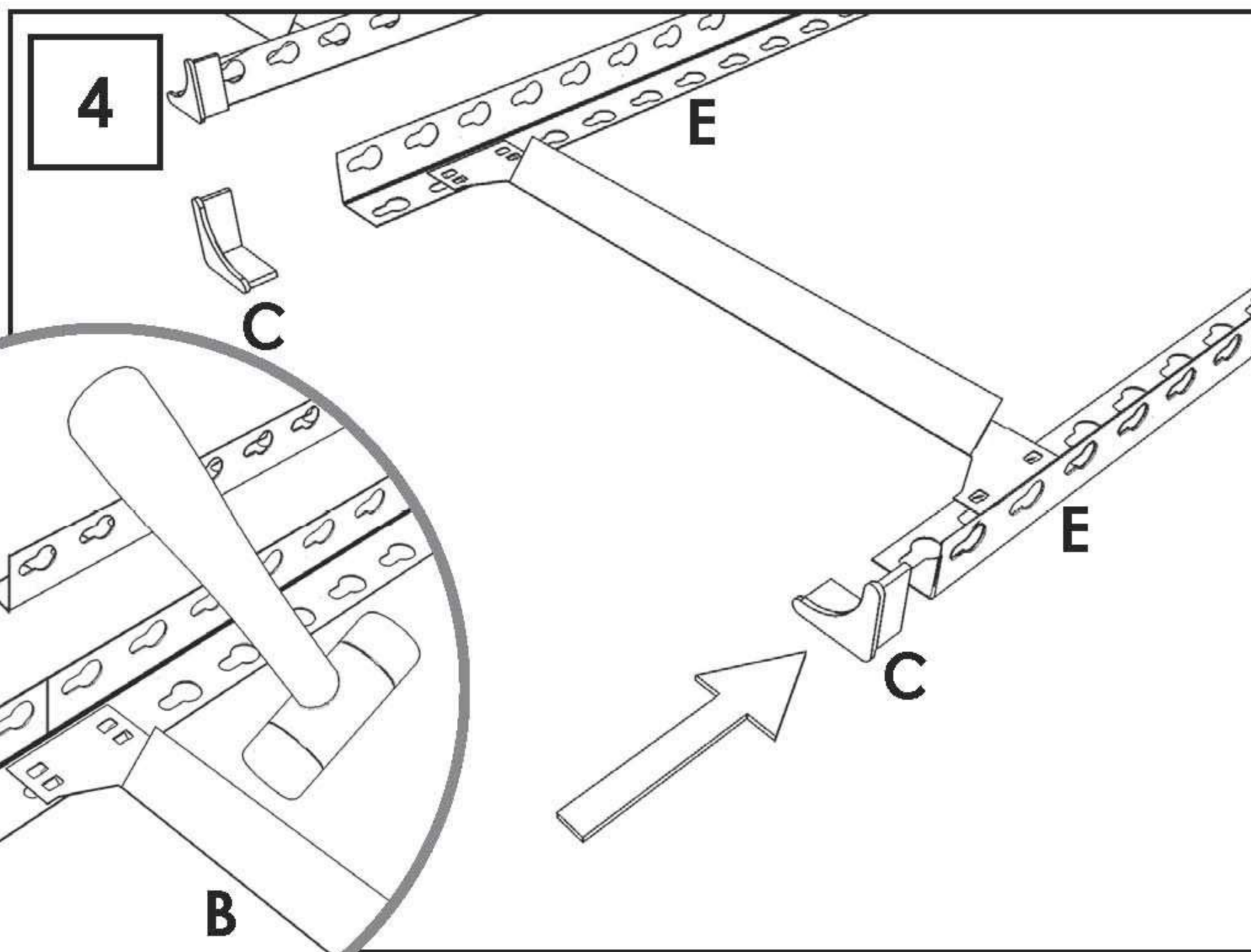
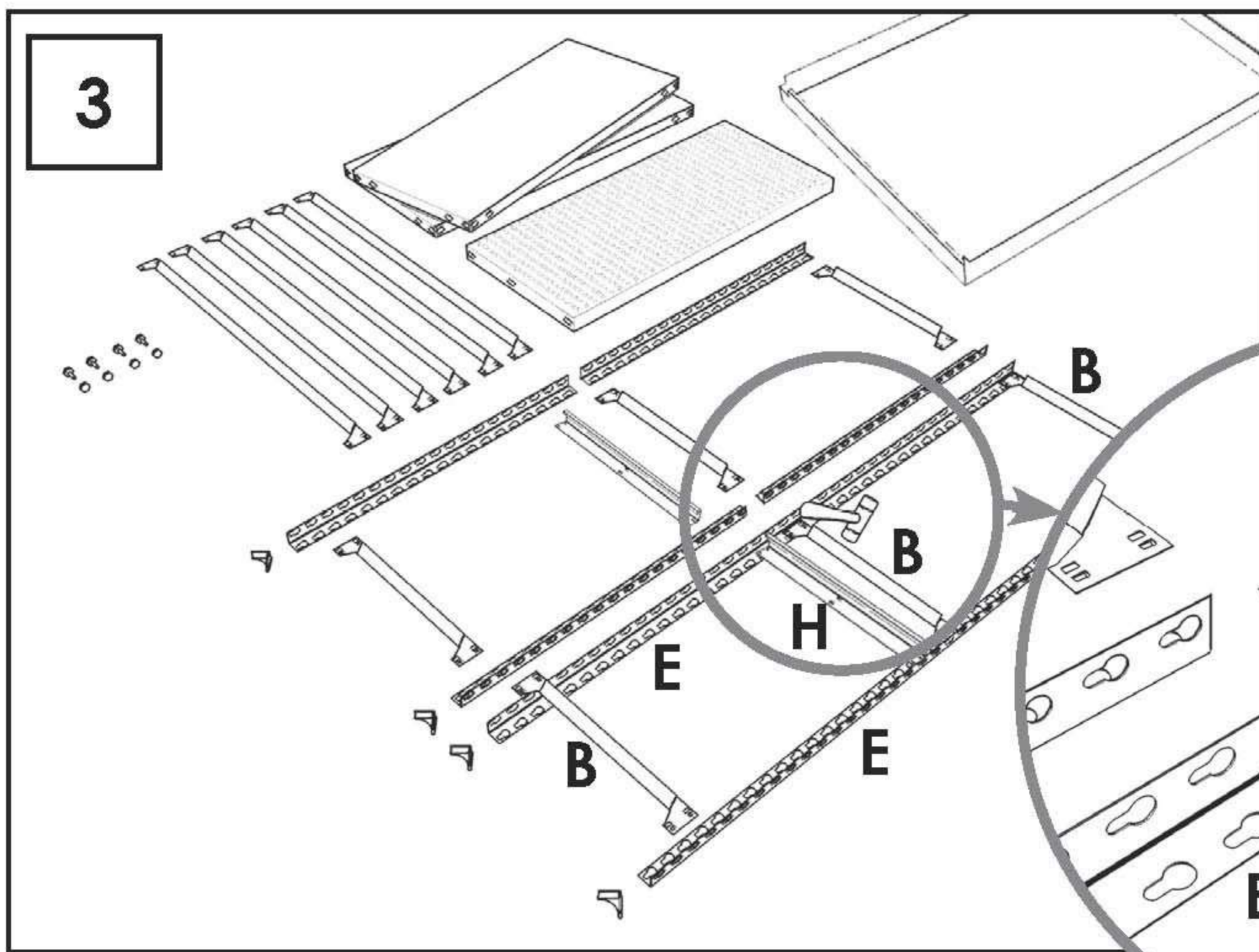
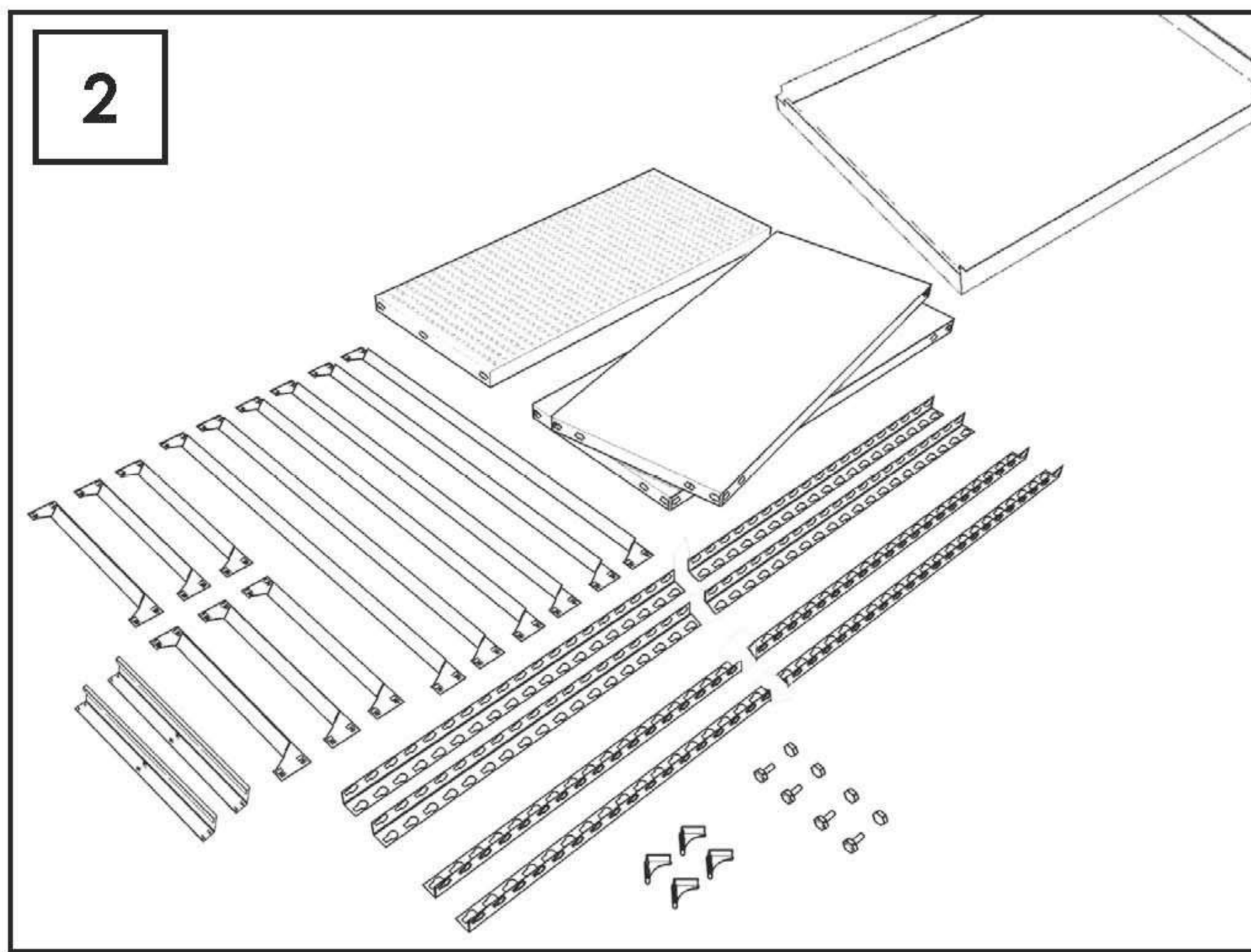
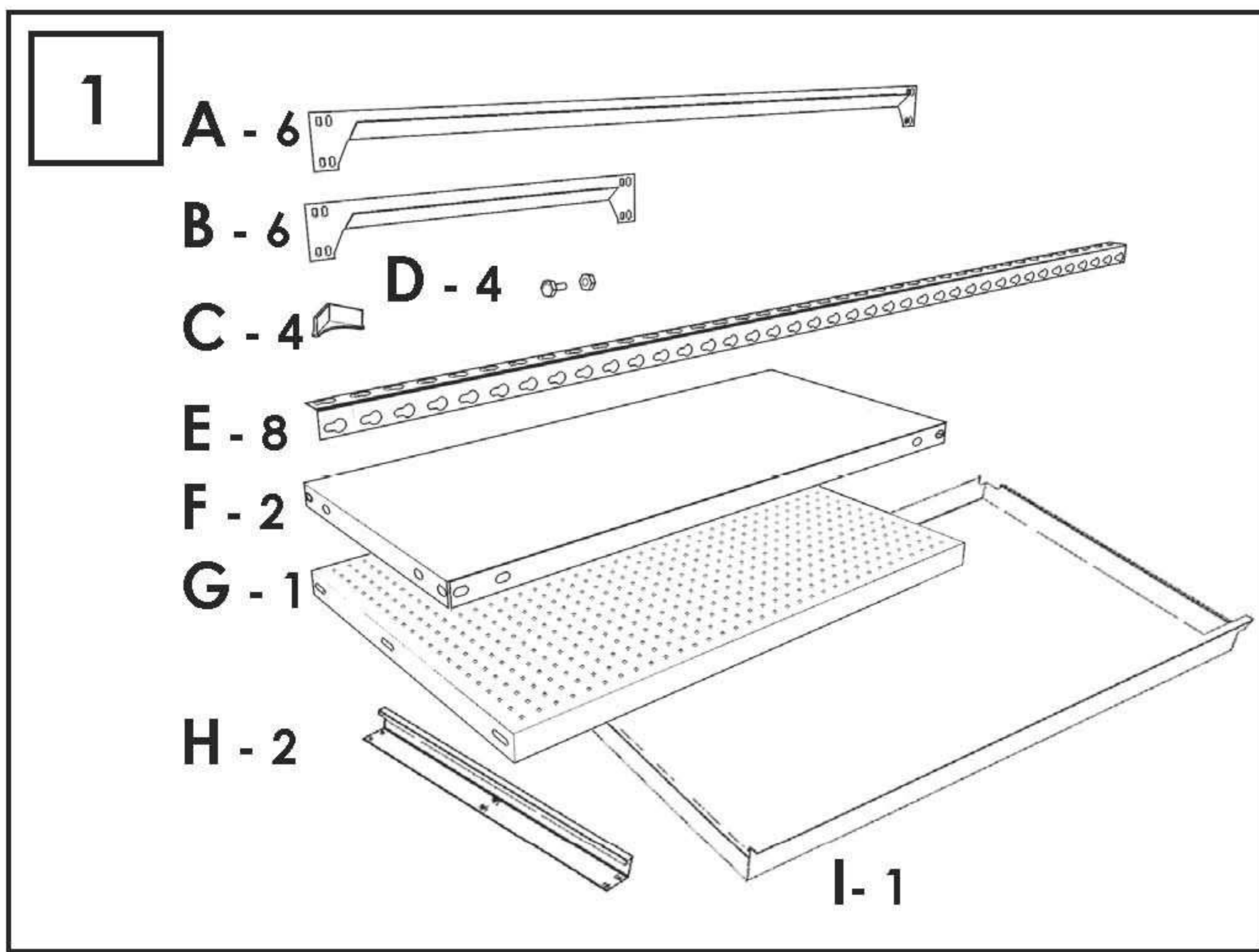


www.simonrack.com



Management System
ISO 9001:2008
www.tuv.com
ID 9105044225





SIMONCLASSIC



SIMONCLICK



SIMONTALLER



SIMONAUTO



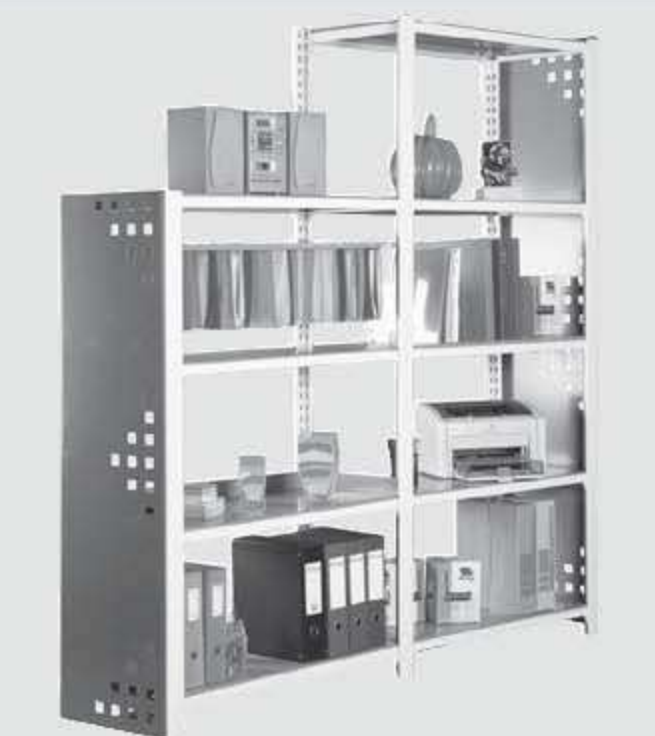
SIMONWORK



SIMONLOCKER



SIMONOFFICE



SIMONHOME



SIMONGARDEN



SIMONTITÁN

SIMONINOX



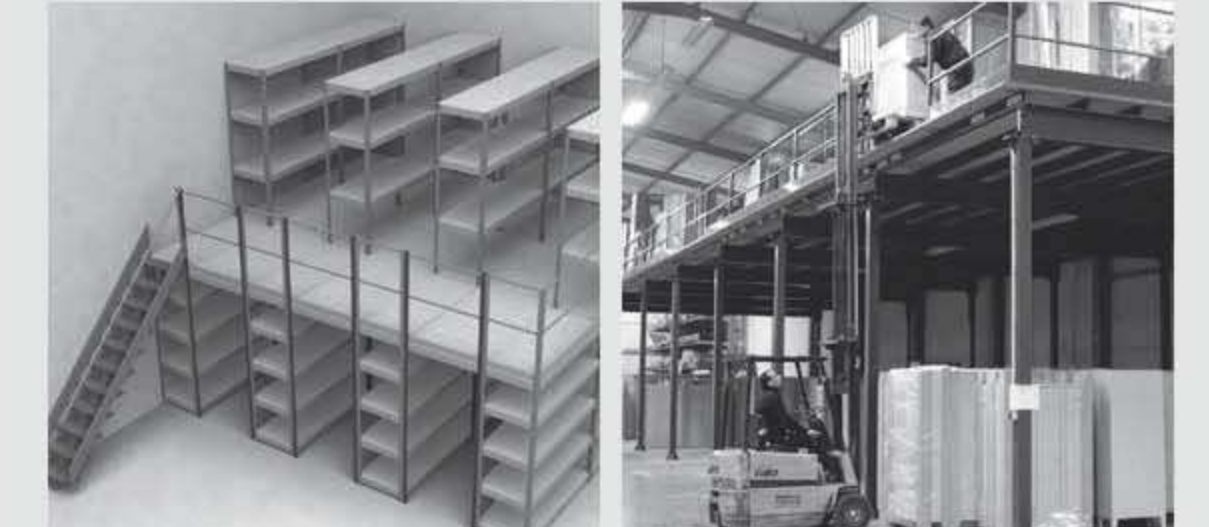
SIMONINDUSTRIAL

SIMONPALET

SIMONLEVER



ALTILLOS Y PASILLOS ELEVADOS
PLATFORMS AND MEZZANINES
LAGERBÜHNEN • PLATES-FORMES ET MEZZANINES



* Kg / lb por bandeja con carga uniformemente repartida
Kg / lb per shelf uniformly distributed load
Kg / lb pro fach bei gleichmäßig verteilter last
Kg / lb par plateau avec charge uniformément répartie

