

200 x 100 x 40 cm* 78.7" x 39.4" x 15.8" SIMONCLICK PLUS 5/400

5 Años Garantía
Years Guarantee
Jahre Garantie
Ans Garantie
Anos de Garantia
SIMONRACK



**900 kg
(2000 lb)
Total**



*MIDAS EN USO: 1979 x 1011 x 410 mm
USED MEASUREMENTS: 77.91" x 39.80" x 16.14"



ESTANTERIAS SIMON S.L. B.50.556.463
PG. ALFAMEN C/ POLIGONO C, Nº3
ALFAMEN (ZARAGOZA)

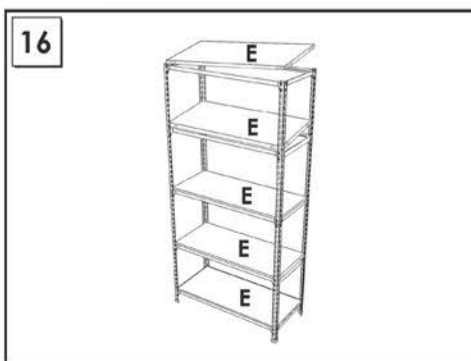
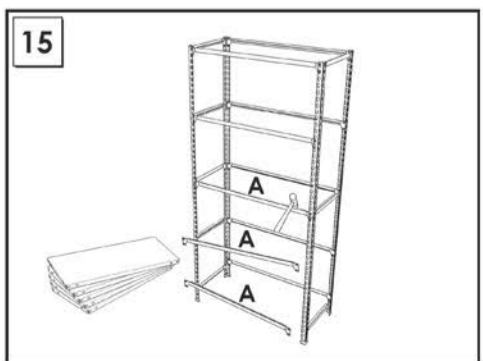
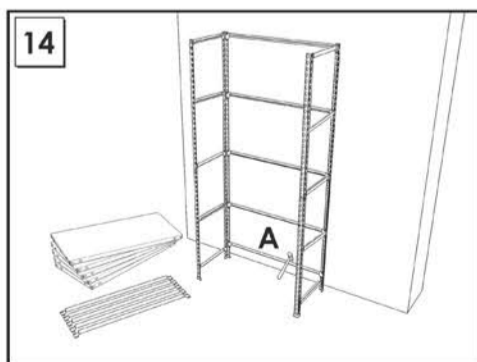
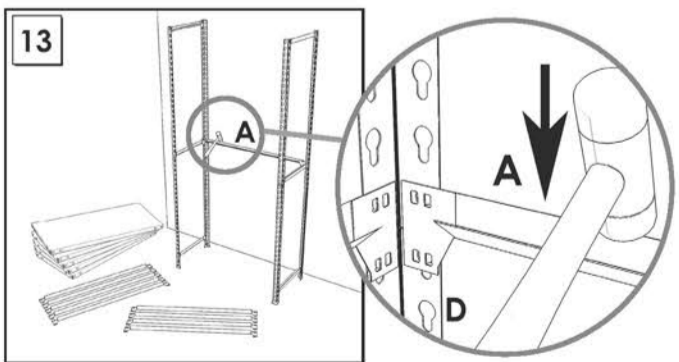
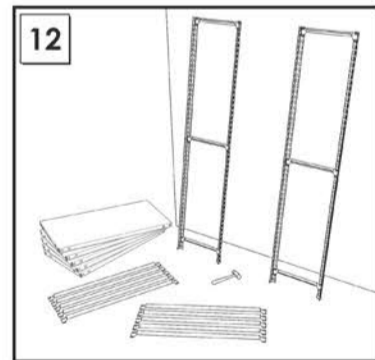
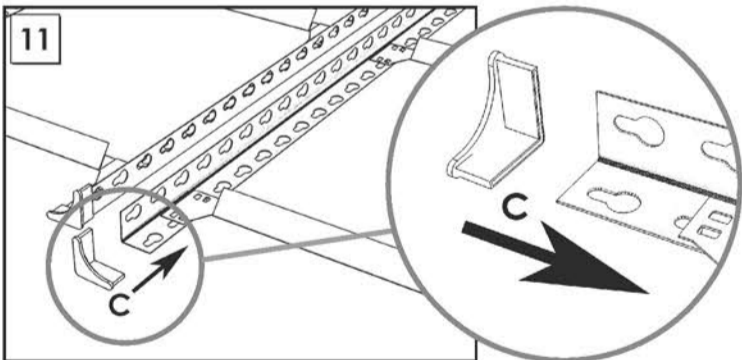
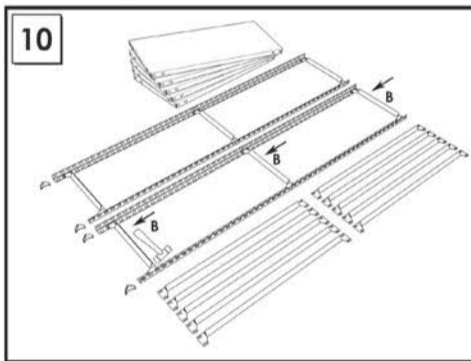
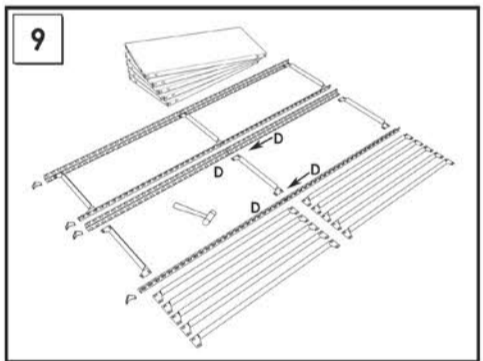
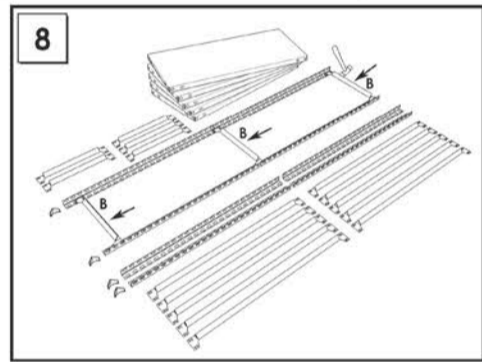
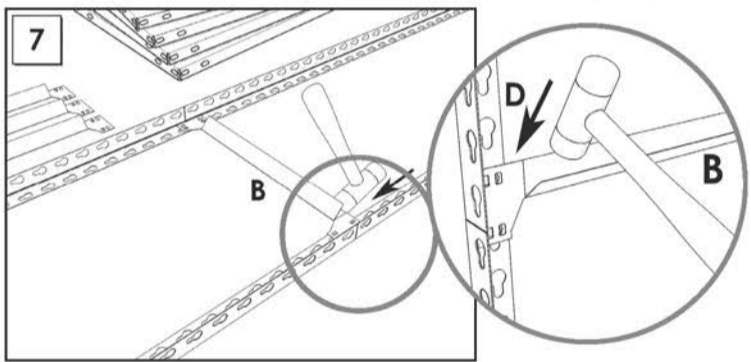
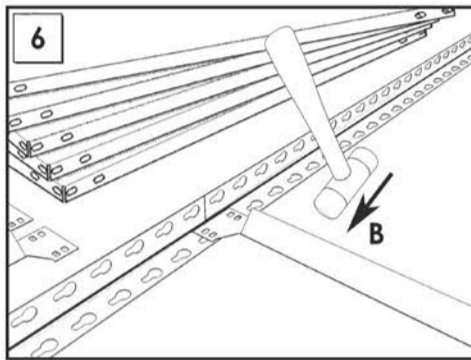
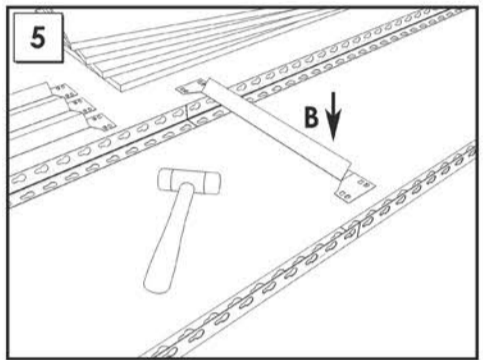
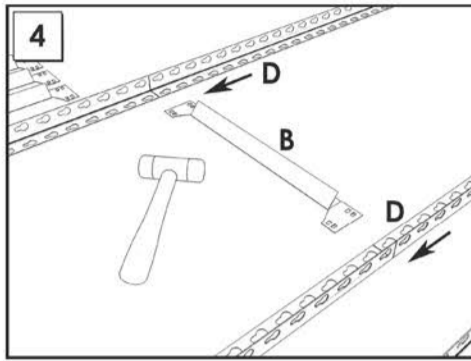
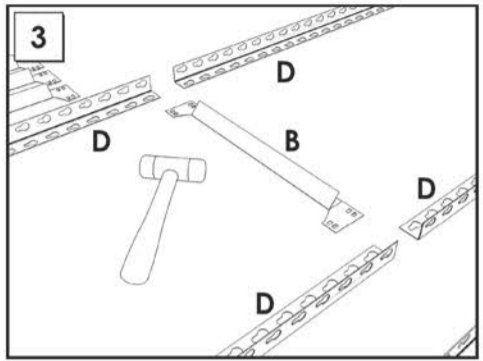
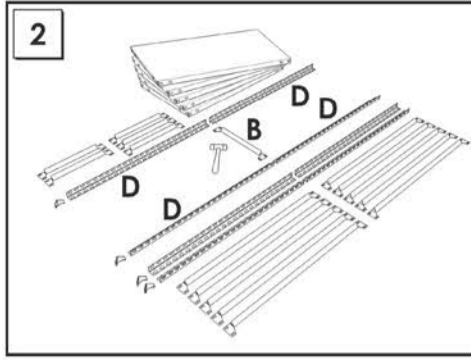
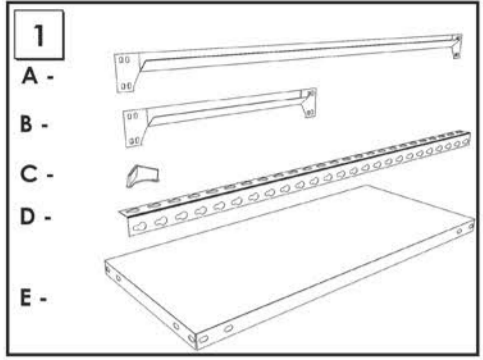
Simon
Rack
SINCE 1964 - MANUFACTURER



www.simonrack.com



INSTRUCTIONS



SIMONCLASSIC



Up to: **150 Kg**
(331 lb)
Kg/Shelf
Uniformly Distributed Load

SIMONCLICK



Up to: **400 Kg**
(882 lb)
Kg/Shelf
Uniformly Distributed Load

SIMONOFFICE



Up to: **275 Kg**
(606 lb)
Kg/Shelf
Uniformly Distributed Load

SIMONTALLER



Up to: **700 Kg**
(1543 lb)
Kg/Shelf
Uniformly Distributed Load

**BANCOS DE TRABAJO
WORK BENCHES**

Up to: **800 Kg**
(1764 lb)
Kg/Shelf
Uniformly Distributed Load



SIMONHOME

Up to: **150 Kg**
(331 lb)
Kg/Shelf
Uniformly Distributed Load



**TAQUILLAS
LOCKER**



SIMONTITÁN

Up to: **900 Kg**
(1984 lb)
Kg/Shelf
Uniformly Distributed Load



SIMONINOX

Up to: **900 Kg**
(1984 lb)
Kg/Shelf
Uniformly Distributed Load



SIMONPALET

Up to: **4500 Kg**
(9921 lb)
Kg/Shelf
Uniformly Distributed Load



SIMONLEVER



**ALTILLOS Y PASILLOS ELEVADOS
PLATFORMS AND MEZZANINES**

