

# SIMONHOME CLICK WOOD

180 x 100 x 30 cm (62.9" x 39.3" x 11.8")

**PLUS 5/300**



**5** Años Garantía  
Years Guarantee  
Jahre Garantie  
Ans Garantie  
Anos de Garantia  
**SIMONRACK**



\*MEDIDAS EN USO USED MEASUREMENTS  
MASSNAHMEN IM EINSATZ MESURES EN EMPLOI MEDIDAS EM USO:  
1802 X 1010 X 310 mm (70.9" x 39.7" x 12.2")



ESTANTERIAS SIMON S.L. B.50.556.463  
PG. ALFAMEN C/ POLIGONO C, N°3  
ALFAMEN (ZARAGOZA)



**Simon  
Rack**

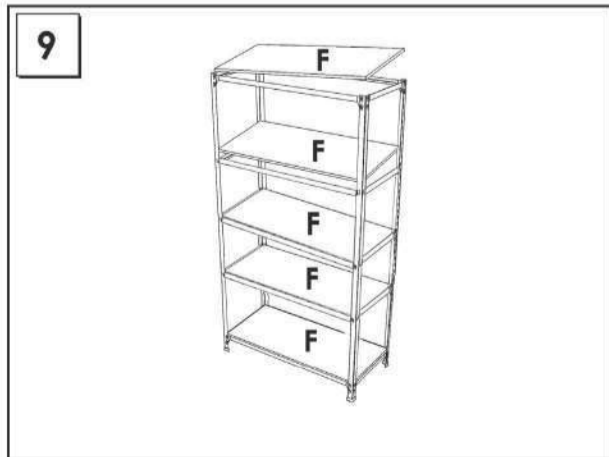
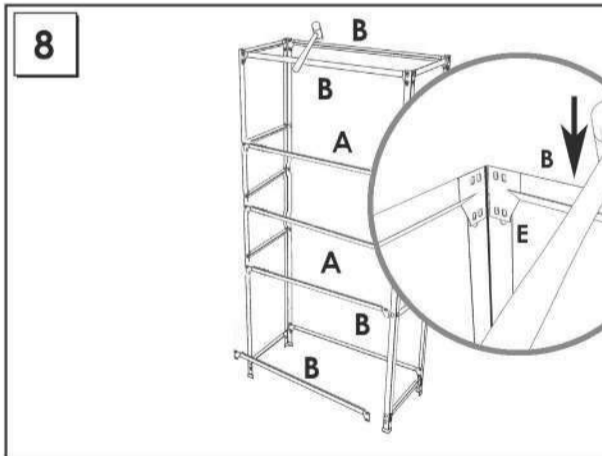
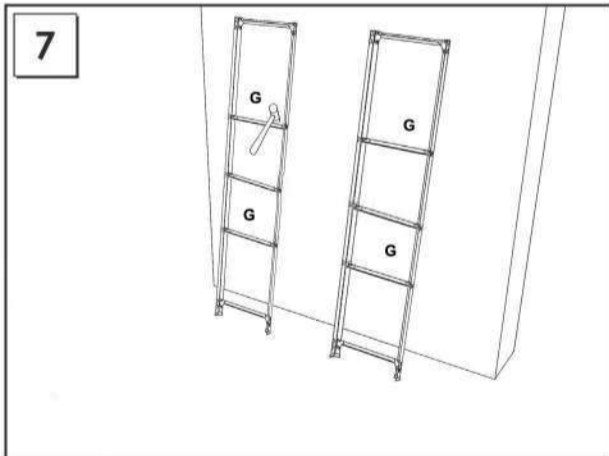
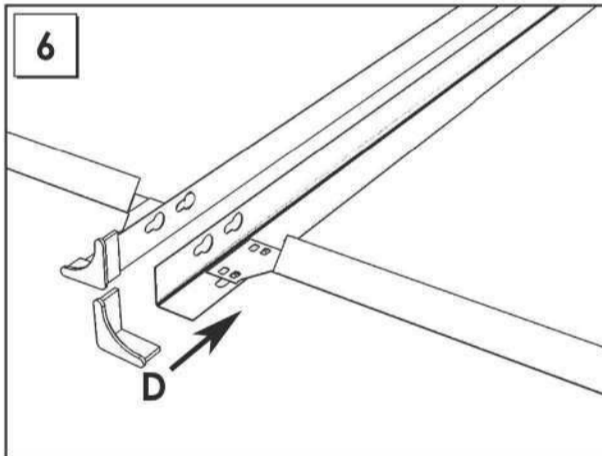
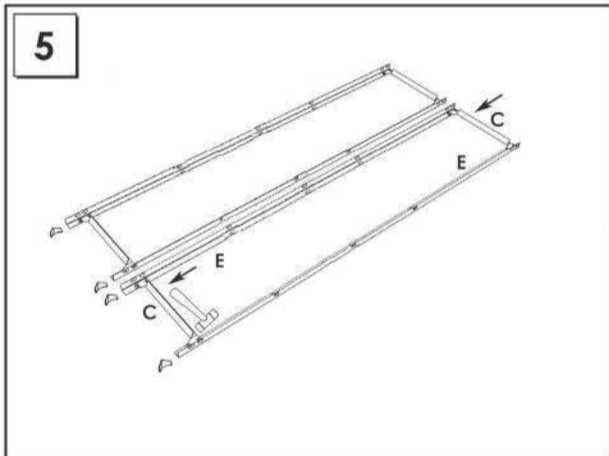
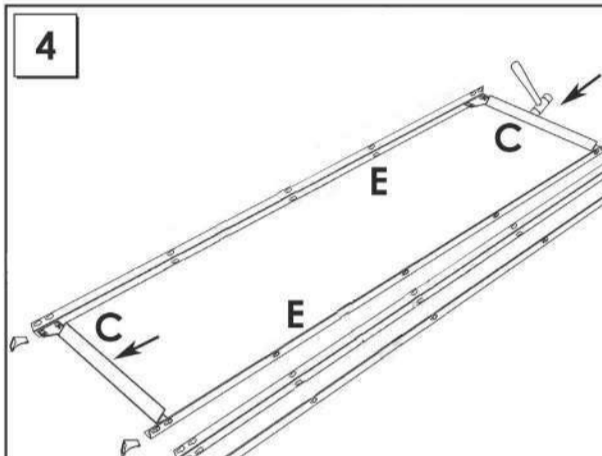
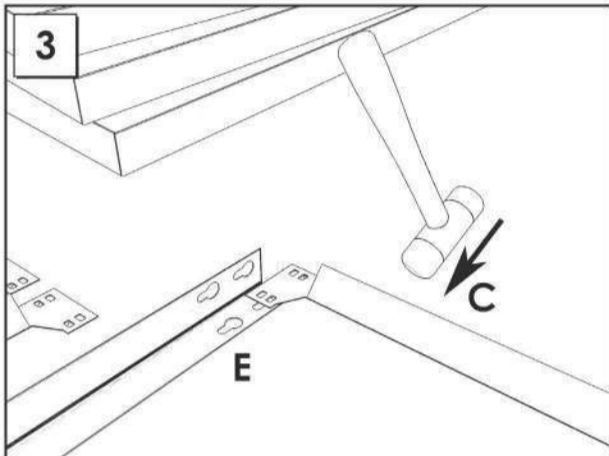
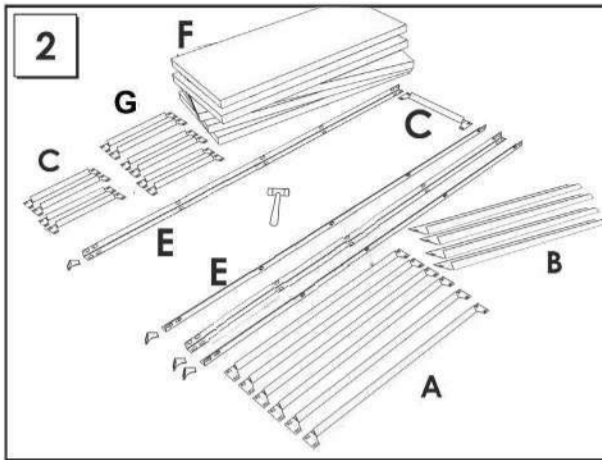
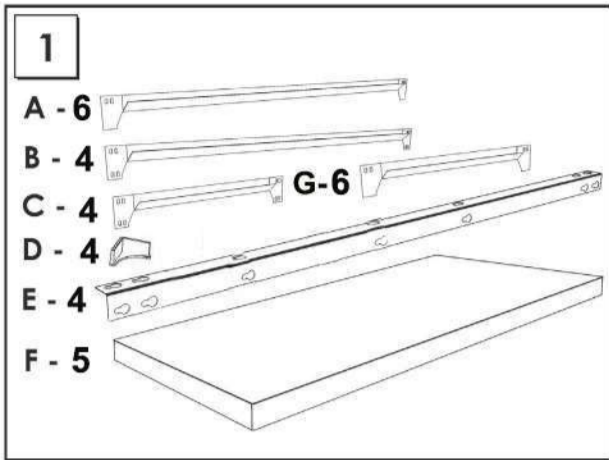
SINCE 1964 - MANUFACTURER



[www.simonrack.com](http://www.simonrack.com)



INSTRUCTIONS



**SIMONCLASSIC**

150 kg  
350 lb

**SIMONCLICK**

400 kg  
900 lb

**SIMONTALLER**

700 kg  
1550 lb

**SIMONAUTO**

300 kg  
660 lb

**SIMONWORK**

800 kg  
1800 lb

**SIMONLOCKER**

**SIMONOFFICE**

275 kg  
600 lb

**SIMONHOME**

150 kg  
350 lb

**SIMONGARDEN**

600 kg  
1350 lb

**SIMONTITÁN**     **SIMONINOX**

900 kg  
1990 lb

**SIMONINDUSTRIAL**

SIMONPALET     SIMONLEVER

4500 kg  
9950 lb

ALTILOS Y PASILLOS ELEVADOS  
PLATFORMS AND MEZZANINES  
LAGERBÜHNEN • PLATES-FORMES ET MEZZANINES

www.simonrack.com • www.instructionsrack.com

