

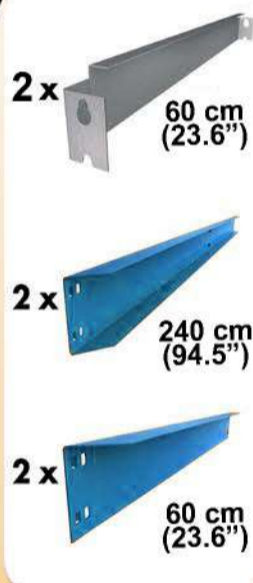
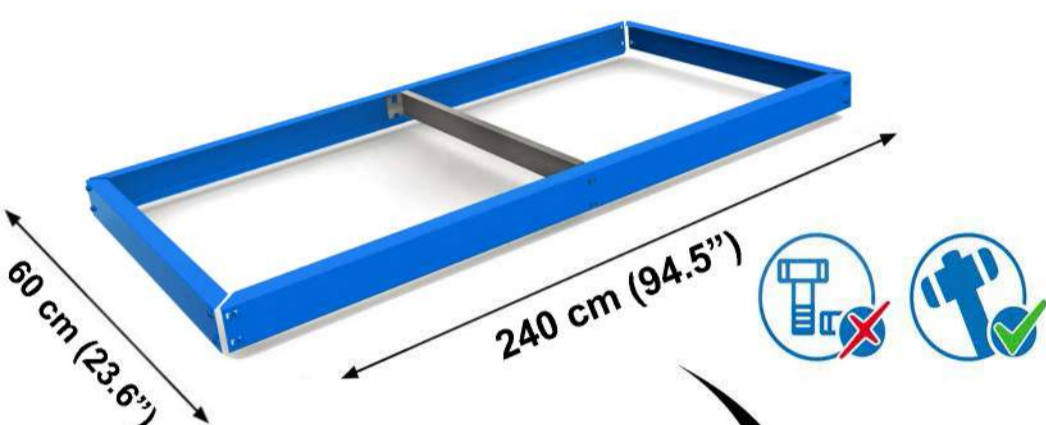


SINCE 1964 - MANUFACTURER

# SIMONFORTE EA 2406

## Additional Shelf

**240 x 60 cm**  
**94.5" x 23.6"**



On-line instructions: [www.instructionsrack.com/simontaller](http://www.instructionsrack.com/simontaller)



\*MEDIDAS EN USO: 2410 x 610 mm (94.8" x 24")  
MÄSSIGHETEN I ANVÄNDNING: 2410 x 610 mm (94.8" x 24")  
MENSURES EN EMPLOI: 2410 x 610 mm (94.8" x 24")



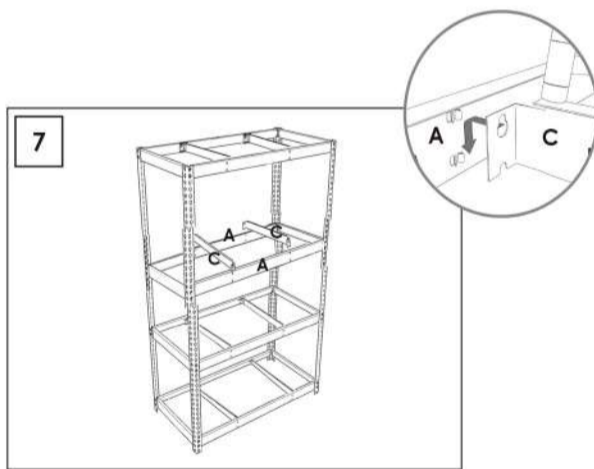
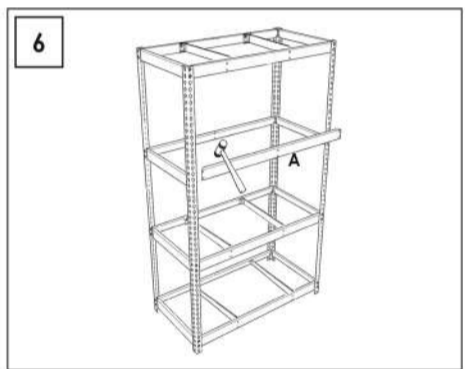
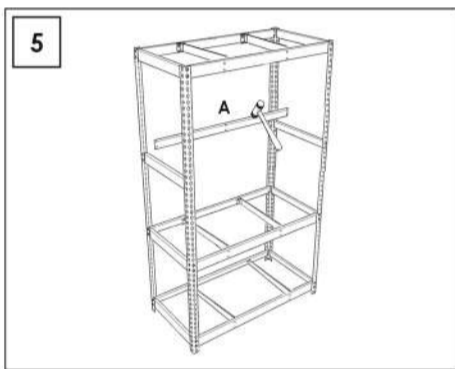
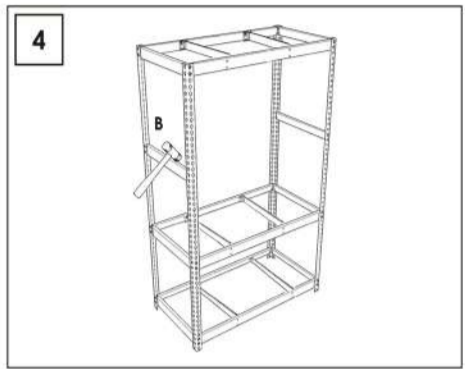
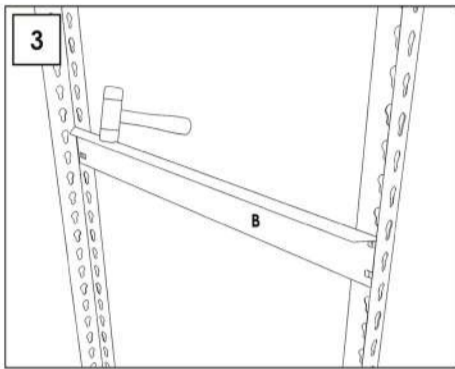
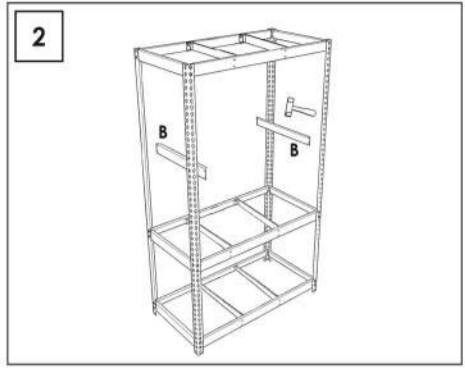
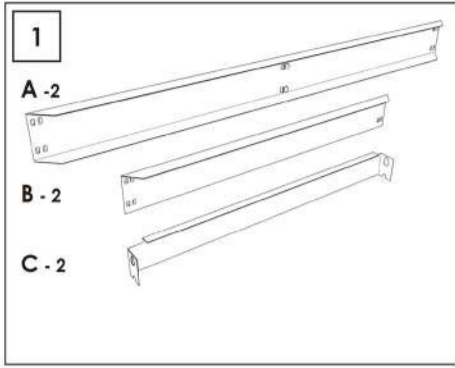
ESTANTERIAS SIMON S.L. B.50.556.463  
PG. ALFAMEN C/ POLIGONO C. N°3  
ALFAMEN (ZARAGOZA)



[www.simonrack.com](http://www.simonrack.com)



INSTRUCTIONS



On-line instructions: [www.instructionsrack.com/simontaller](http://www.instructionsrack.com/simontaller)

[www.simonrack.com](http://www.simonrack.com) • [www.simonrack.com](http://www.simonrack.com) • [www.simonrack.com](http://www.simonrack.com) • [www.simonrack.com](http://www.simonrack.com)

**SIMONCLASSIC**



**SIMONCLICK**



**OFFCLICK**



**SIMONTALLER**



**BANCOS DE TRABAJO  
WORK BENCHES**



**ALTILLOS Y PASILLOS ELEVADOS  
PLATFORMS AND MEZZANINES**



**SIMONHOME**



**TAQUILLAS  
LOCKER**



**SIMONINOX**



**SIMONTITÁN**



**SIMONPALET**



**SIMONLEVER**

