

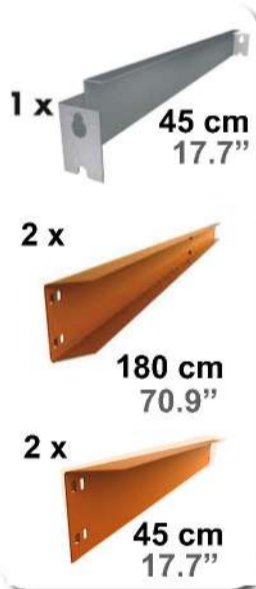
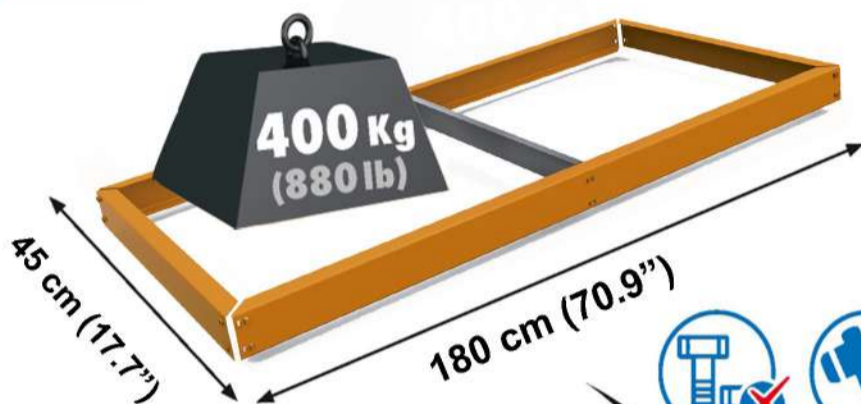


SIMONFORTE EA 1804

SINCE 1964 - MANUFACTURER

Additional Shelf

180 x 45 cm
70.9" x 17.7"



On-line instructions: www.instructionsrack.com/ecofortechipboard



*MEDIDAS EN USO USED MEASUREMENTS
MASSNAHMEN IM EINSATZ MESURES EN EMPLOI MEDIDAS EN USO:
1810 x 460 mm (71.2" x 18.1")



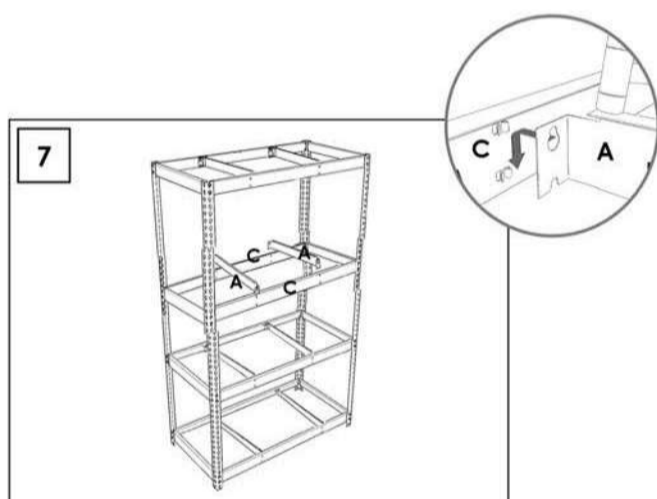
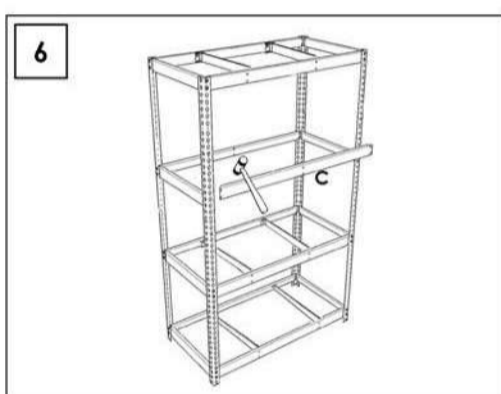
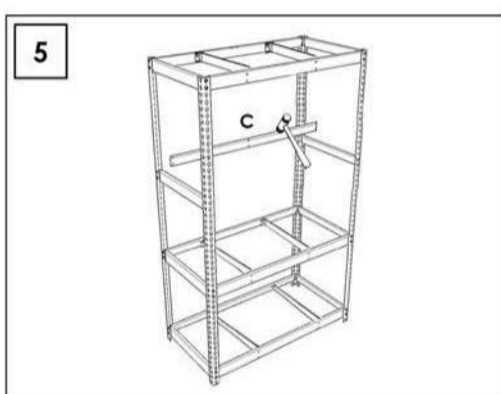
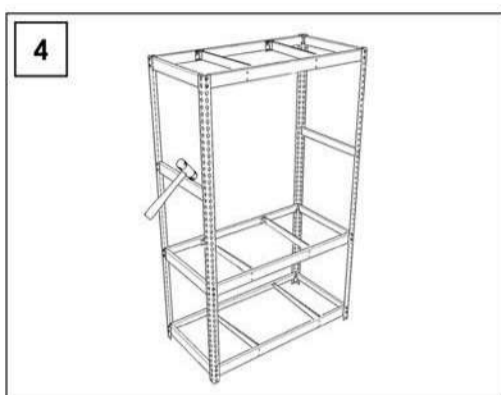
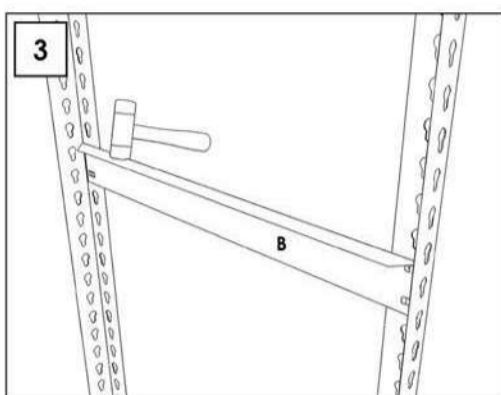
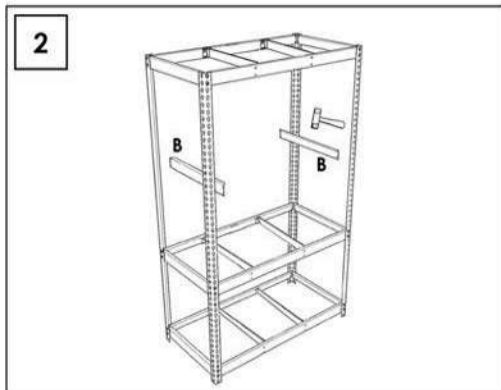
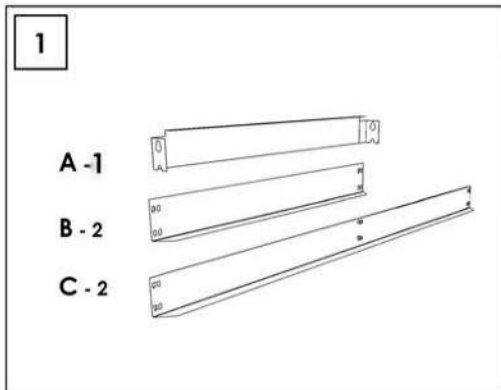
ESTANTERIAS SIMON S.L. B.50.556.463
PG. ALFAMEN C/ POLIGONO C, N°3
ALFAMEN (ZARAGOZA)



www.simonrack.com



INSTRUCCIONES
INSTRUCTIONS
ANLEITUNG
INSTRUCTIONS



www.simonrack.com • www.simonrack.com • www.simonrack.com • www.simonrack.com

SIMONCLASSIC



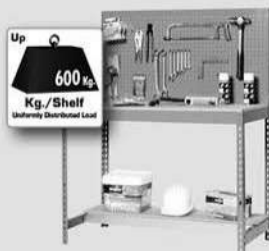
SIMONCLICK



OFFCLICK



SIMONFORTE



SIMONCROMO



SIMONINOX



SIMONTITÁN



SIMONPALET



SIMONLEVER

