

90 x 120 x 30 cm

35.4" x 47.2" x 11.8"

KIT SIMONCLICK MEGAPLUS 3/300

5 Años Garantía
Years Guarantee
Jahre Garantie
Ans Garantie
Anos de Garantia

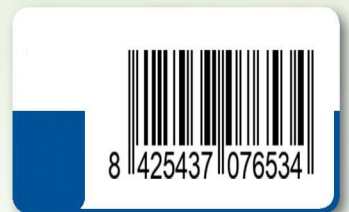
SIMONRACK



90 cm (35.4")

30 cm (11.8")

120 cm (47.2")



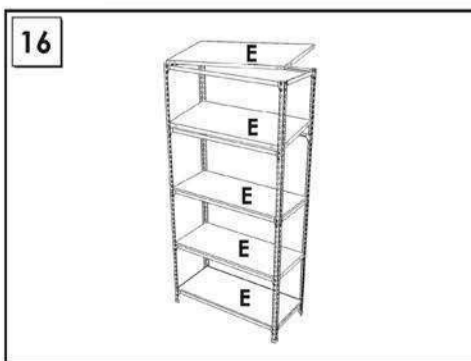
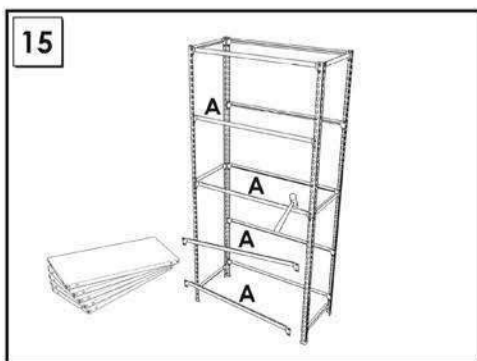
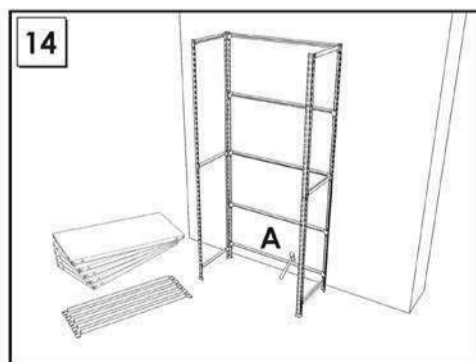
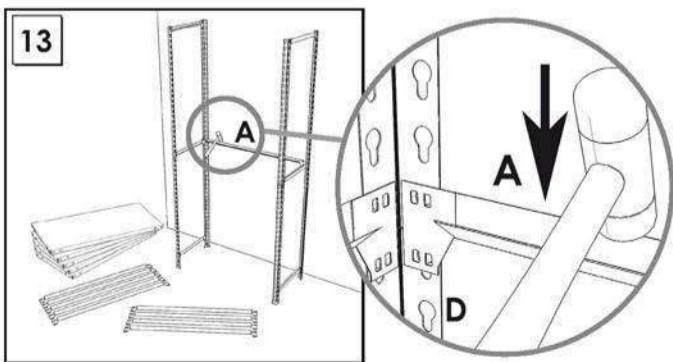
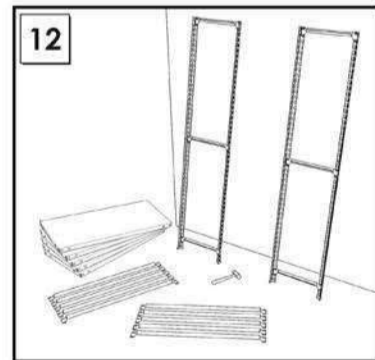
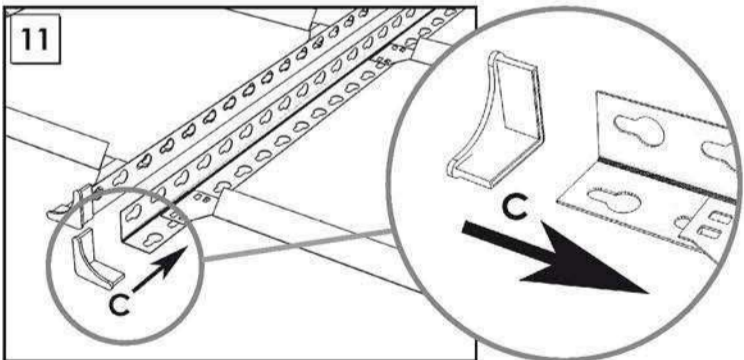
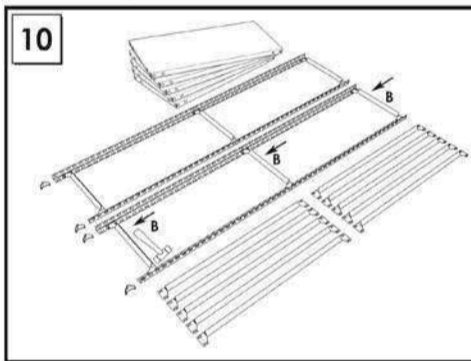
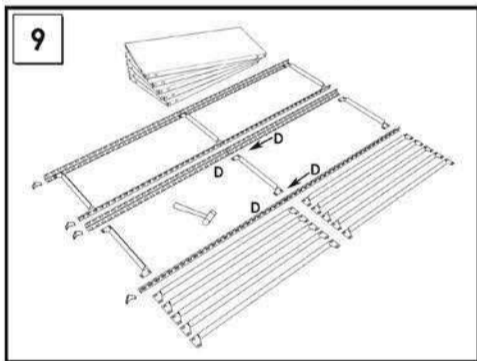
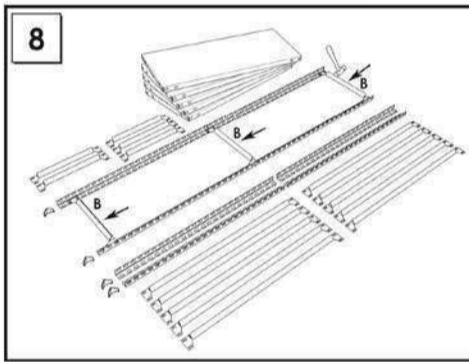
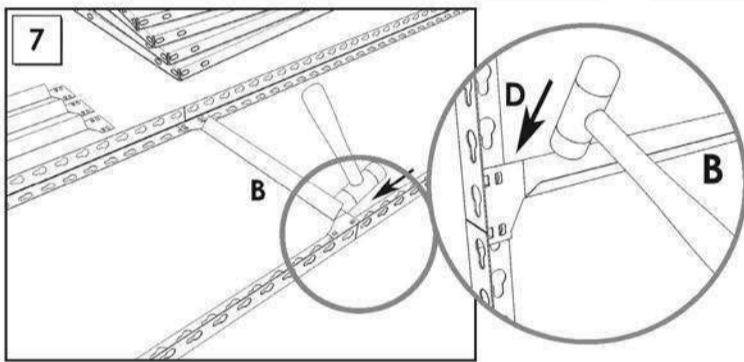
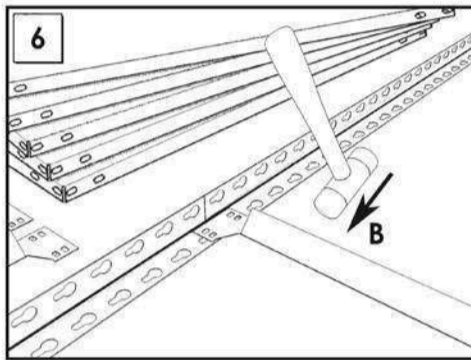
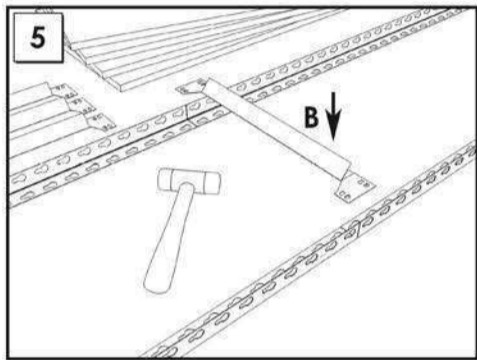
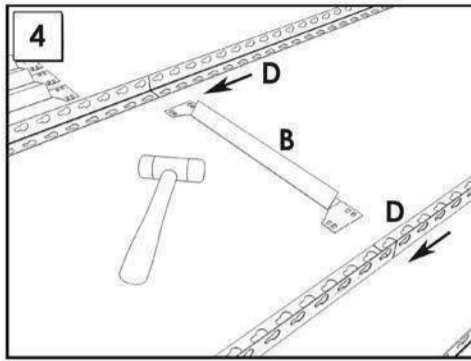
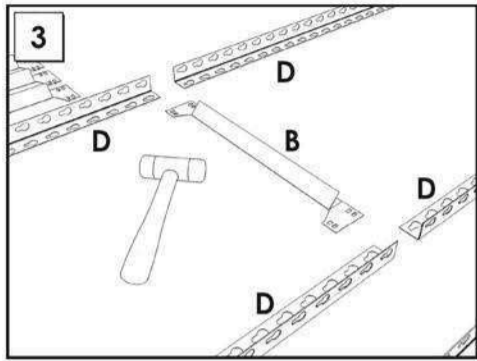
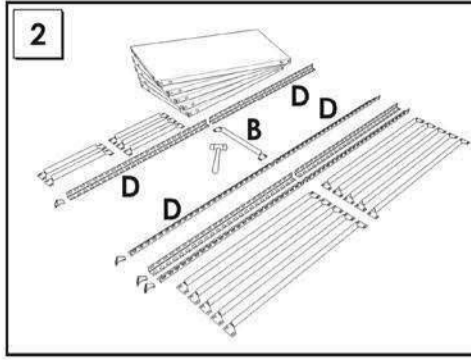
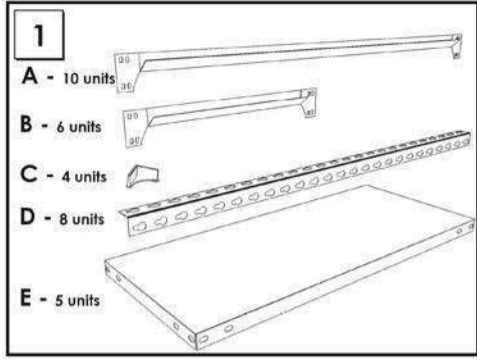
ESTANTERIAS SIMON S.L. B.50.556.463
PG. ALFAMEN C/ POLIGONO C, N°3
ALFAMEN (ZARAGOZA)



www.simonrack.com



INSTRUCTIONS



On-line instructions: www.instructionsrack.com/simonclick

SIMONCLASSIC



SIMONCLICK



SIMONOFFICE



SIMONTALLER



BANCOS DE TRABAJO WORK BENCHES



SIMONHOME



TAQUILLAS LOCKER



SIMONTITÁN



SIMONINOX



SIMONPALET



SIMONLEVER



ALTILLOS Y PASILLOS ELEVADOS PLATFORMS AND MEZZANINES

