

# 180 x 80 x 30 cm\* 70.9" x 31.5" x 11.8" SIMONCLICK MINI 5/300

**5** Años Garantía  
Years Guarantee  
Jahre Garantie  
Ans Garantie  
Anos de Garantia  
**SIMONRACK**



**Simon  
Rack**  
SINCE 1964 - MANUFACTURER

\*MEDIDAS EN USO / USED MEASUREMENTS  
MASSNAHMEN IM EINSATZ / MESURES EN EMPLOI / MEDIDAS EM USO:  
1749 x 810 x 310 mm (68.8" x 31.8" x 12.2")



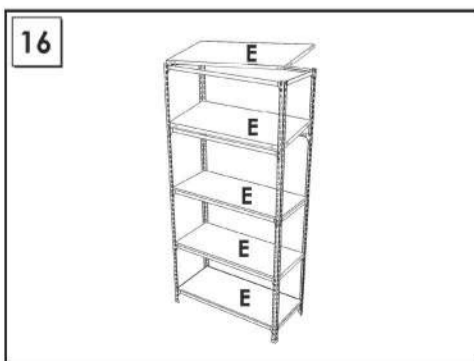
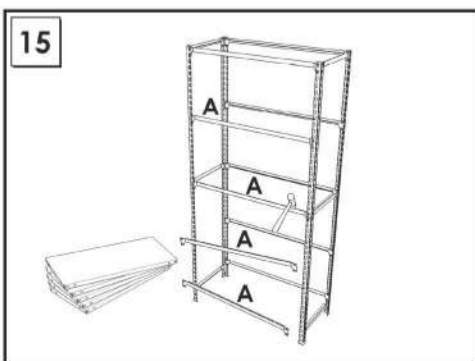
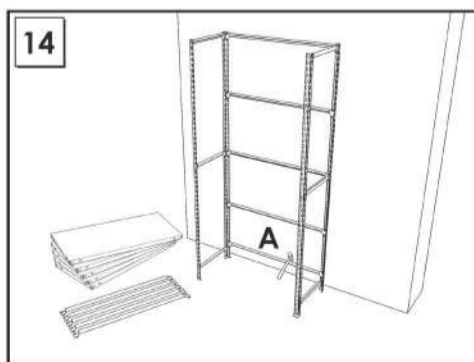
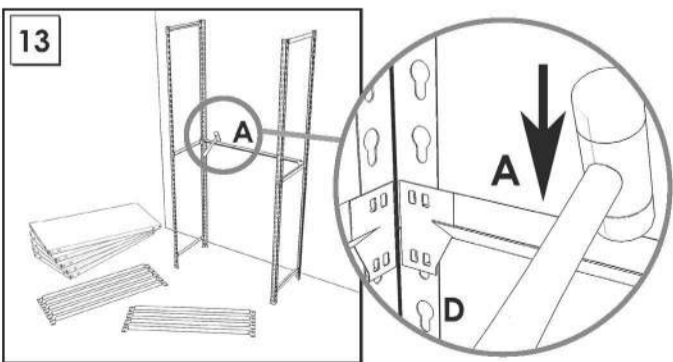
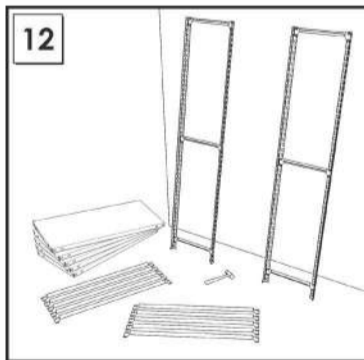
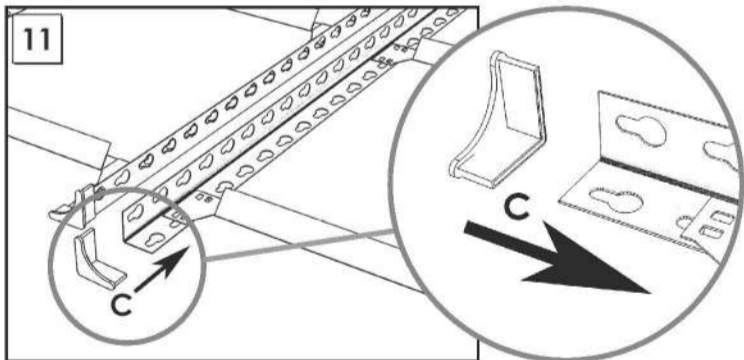
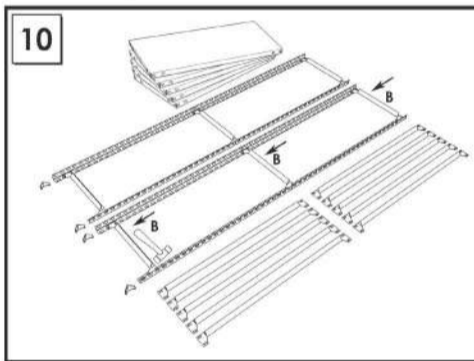
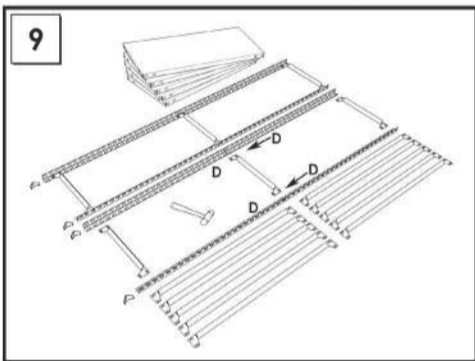
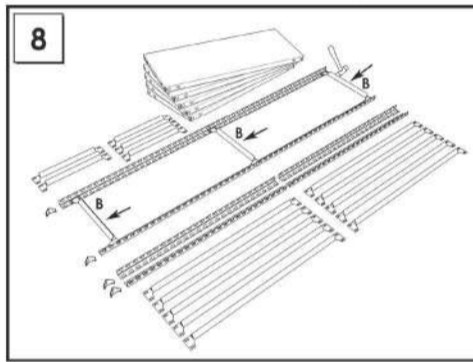
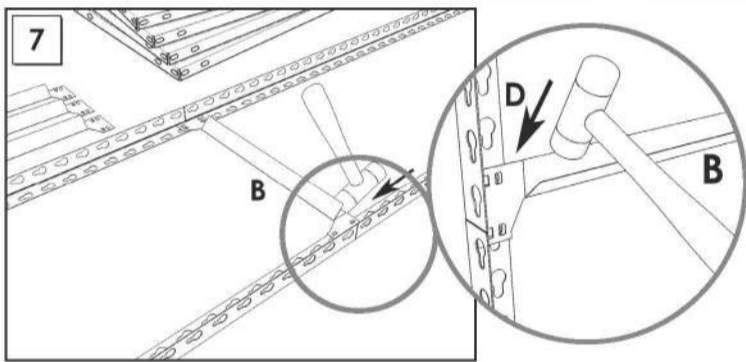
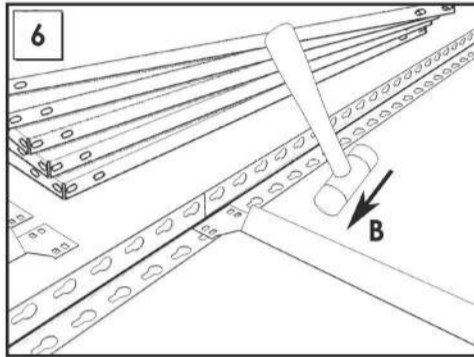
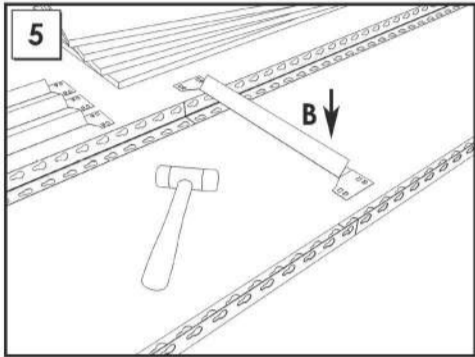
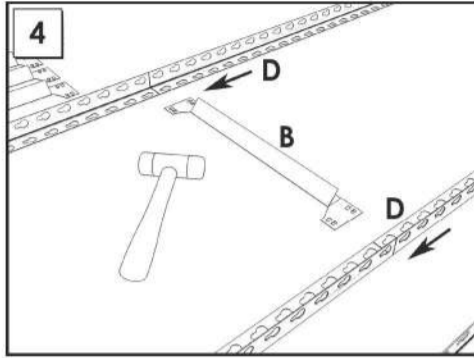
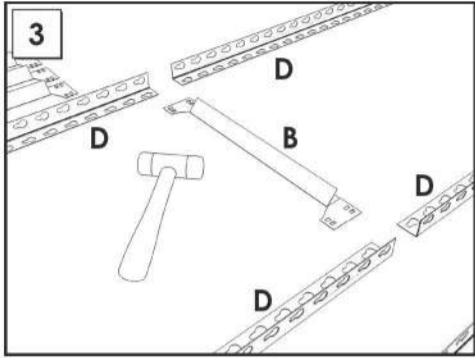
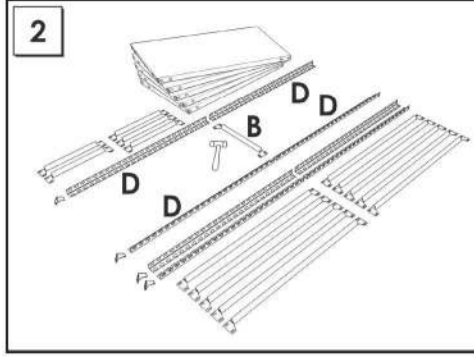
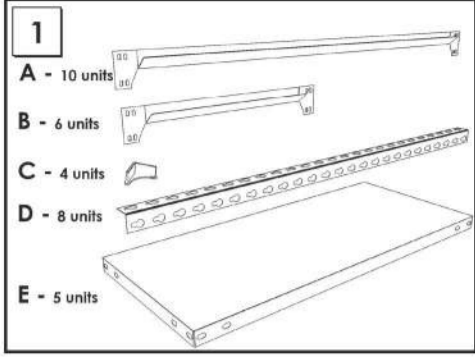
ESTANTERIAS SIMON S.L. B.50.556.463  
PG. ALFAMEN C/ POLIGONO C, N°3  
ALFAMEN (ZARAGOZA)



www.simonrack.com



INSTRUCTIONS



On-line instructions: [www.instructionsrack.com/simonclick](http://www.instructionsrack.com/simonclick)

[www.simonrack.com](http://www.simonrack.com)

## SIMONCLASSIC

**BOLTS SYSTEM**  
 Up to **150 Kg (331 lb)**  
 Kg/Shelf



## SIMONCLICK

**NO BOLTS SYSTEM**  
 Up to **400 Kg (882 lb)**  
 Kg/Shelf



## SIMONOFFICE

**NO BOLTS SYSTEM**  
 Up to **275 Kg (606 lb)**  
 Kg/Shelf



## SIMONTALLER

**NO BOLTS SYSTEM**  
 Up to **700 Kg (1543 lb)**  
 Kg/Shelf



## BANCOS DE TRABAJO WORK BENCHES

Up to **800 Kg (1764 lb)**  
 Kg/Shelf



## SIMONHOME

Up to **150 Kg (331 lb)**  
 Kg/Shelf



## TAQUILLAS LOCKER



## SIMONTITÁN

**NO BOLT SYSTEM**  
 Up to **900 Kg (1984 lb)**  
 Kg/Shelf



## SIMONINOX

**NO BOLT SYSTEM**

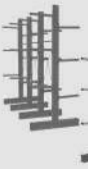


## SIMONPALET

Up to **4500 Kg (9921 lb)**  
 Kg/Shelf



## SIMONLEVER



## ALTILLOS Y PASILLOS ELEVADOS PLATFORMS AND MEZZANINES

