

KIT SIMONCLOTHING SINGLE 2

150 x 120 x 50 cm

(78.7" x 47.2" x 19.7")

5 Años Garantía
Years Guarantee
Jahre Garantie
Anos de Garantia

SIMONRACK



OPTIONAL



4 X



5 X



2 X



4 X



1 X



4 X



*MEDIDAS EN USO / MESURES EN EMPLOI / MASSAARBEIDEN EN GEBRUIK
1485 x 1210 x 510 mm (58.4" x 47.6" x 20.1")



Simon Rack
SINCE 1964 - MANUFACTURER

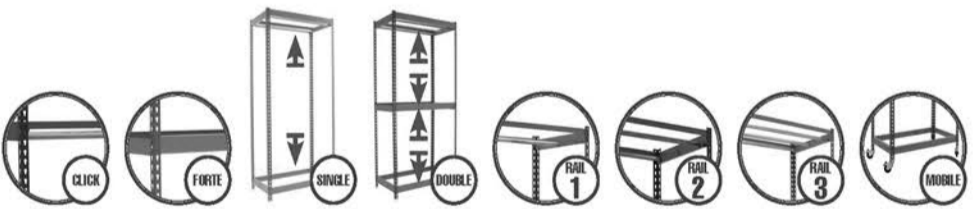
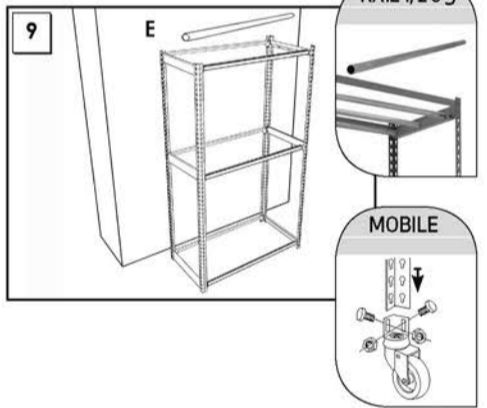
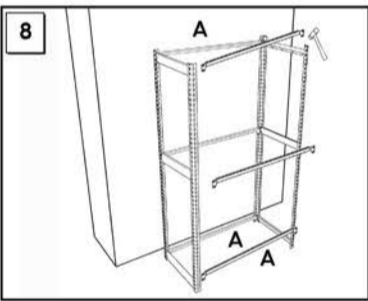
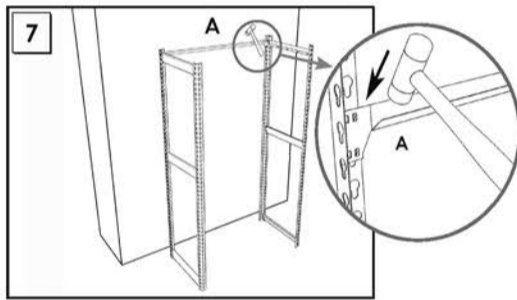
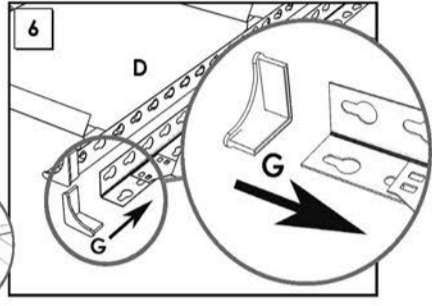
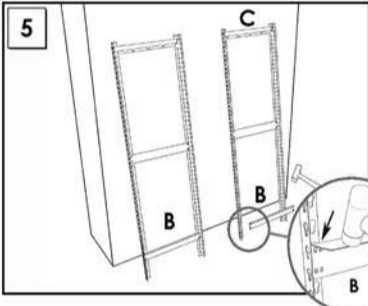
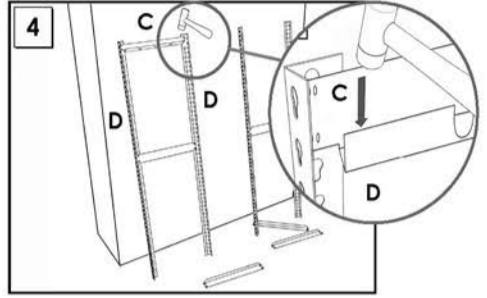
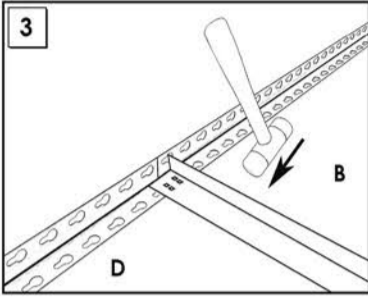
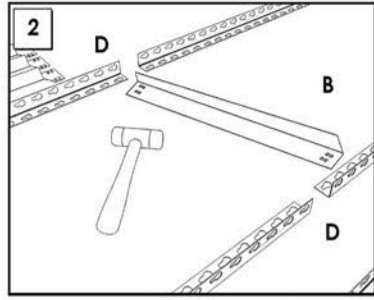
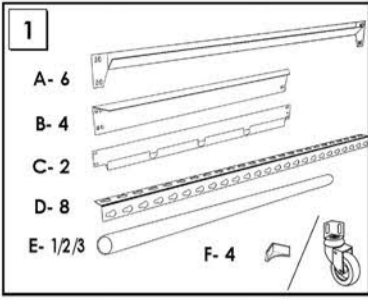
ESTANTERIAS SIMON S.L. B.50.556.463
PG. ALFAMEN C/ POLIGONO C. N°3
ALFAMEN (ZARAGOZA)



www.simonrack.com



INSTRUCCIONES
INSTRUCTIONS
ANLEITUNG
INSTRUCTIONS



www.simonrack.com • www.simonrack.com • www.simonrack.com • www.simonrack.com

SIMONCLASSIC	SIMONCLICK	SIMONTALLER	SIMONAUTO
<ul style="list-style-type: none"> 150 kg 350 lb 	<ul style="list-style-type: none"> 400 kg 900 lb 	<ul style="list-style-type: none"> 700 kg 1550 lb 	<ul style="list-style-type: none"> 300 kg 660 lb
SIMONWORK	SIMONLOCKER	SIMONOFFICE	SIMONHOME
<ul style="list-style-type: none"> 800 kg 1800 lb 		<ul style="list-style-type: none"> 275 kg 600 lb 	<ul style="list-style-type: none"> 150 kg 350 lb
SIMONGARDEN	SIMONTITÁN	SIMONINOX	SIMONINDUSTRIAL
<ul style="list-style-type: none"> 600 kg 1350 lb 	<ul style="list-style-type: none"> 900 kg 1990 lb 		<ul style="list-style-type: none"> 4500 kg 9950 lb <p>SIMONPALET SIMONLEVER</p> <p>ALTILLOS Y PASILLOS ELEVADORES • PLATAFORMAS Y MEZZANINES • LAGEBÜRGERNEN • PLATES FORMES ET MEZZANINES</p>