

250 X 90 X 30 CM

98.4" X 35.4" X 11.8"

MADERCLICK 6/300

5 Años Garantía
Years Guarantee
Jahre Garantie
Ans Garantie
Anos de Garantia
SIMONRACK



8 x
125 cm
49.2"

6 x
90 x 30 cm
35.4" x 11.8"

6 x
30 cm
11.8"

12 x
90 cm
35.4"

4 x

VIDEO INSTRUCTIONS

900 kg
(1984 lb)
Total



*MEDIDAS EN USO USED MEASUREMENTS
MASSNAHMEN IM EINSATZ MESURES EN EMPLOI MEDIDAS EM USO:
2435 x 910 x 310 mm (95.8" x 35.8" x 12.2")



ESTANTERIAS SIMON S.L. B.50.556.463
PG. ALFAMEN C/ POLIGONO C, Nº3
ALFAMEN (ZARAGOZA)



Simon Rack
SINCE 1964 - MANUFACTURER

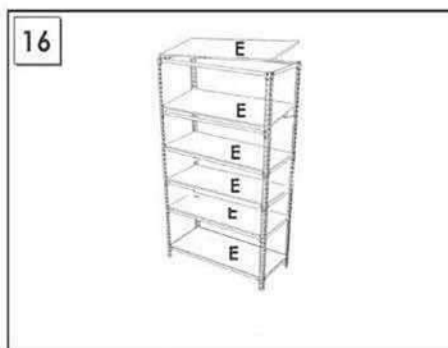
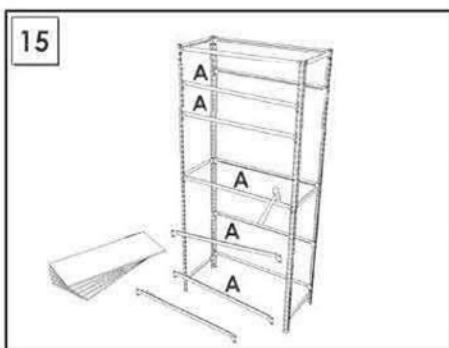
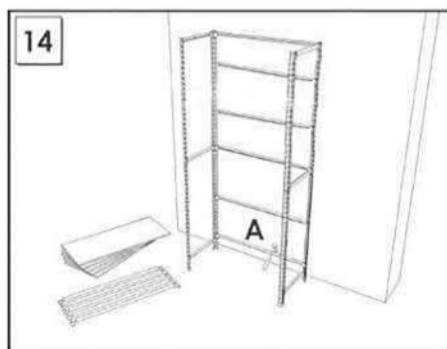
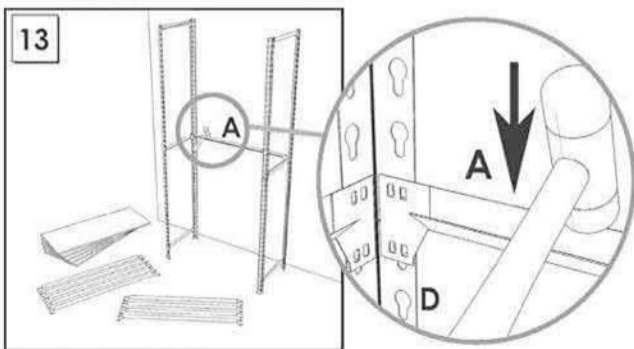
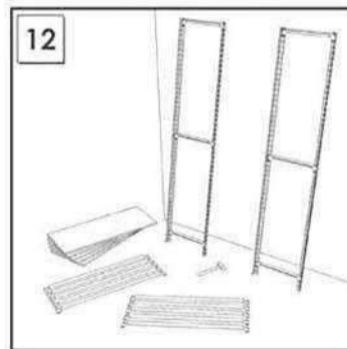
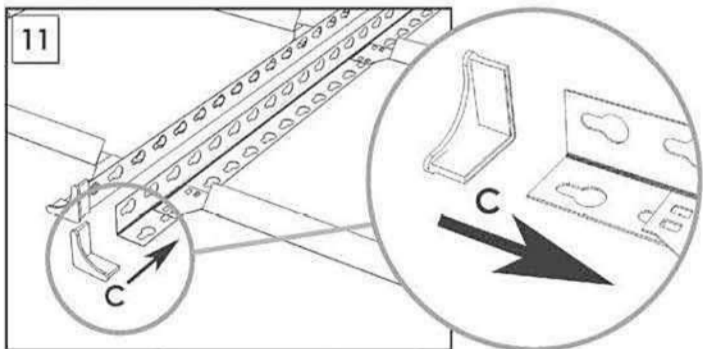
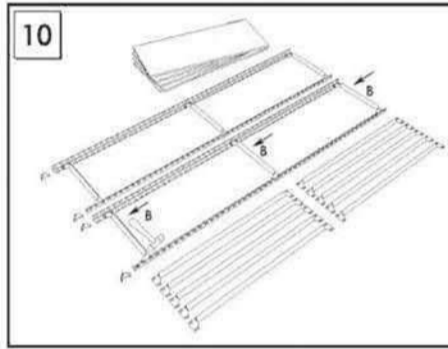
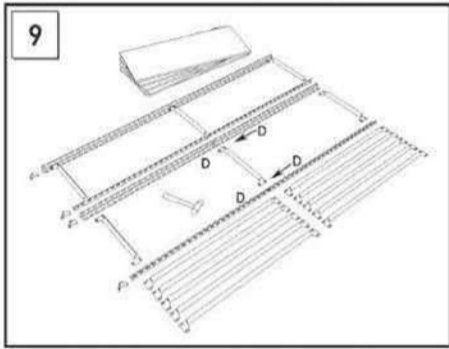
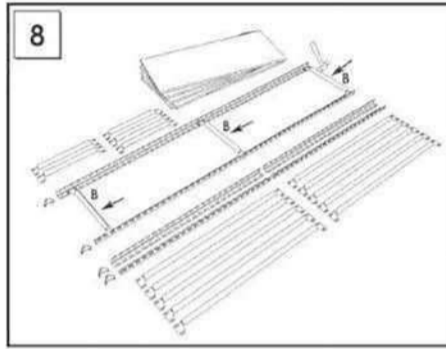
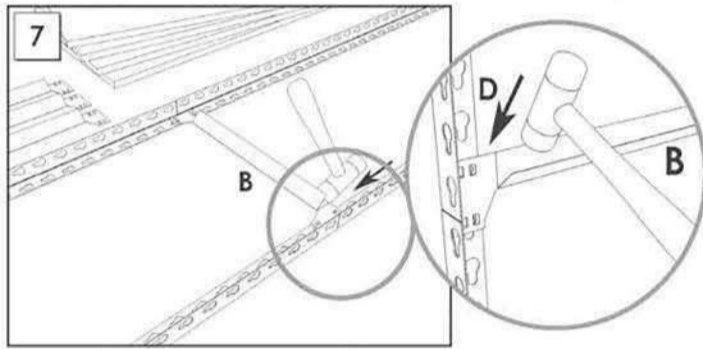
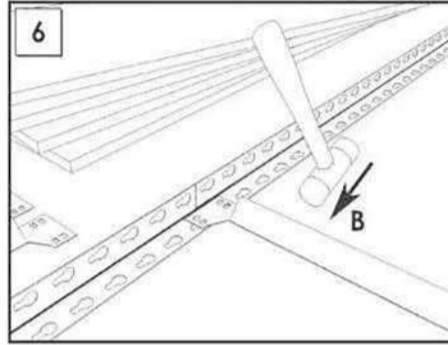
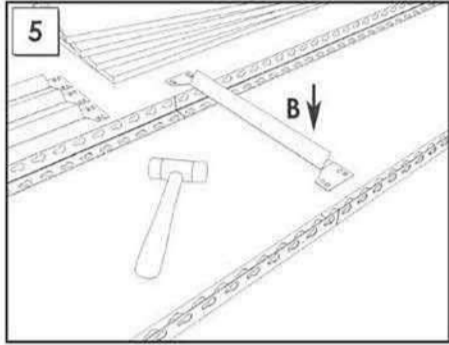
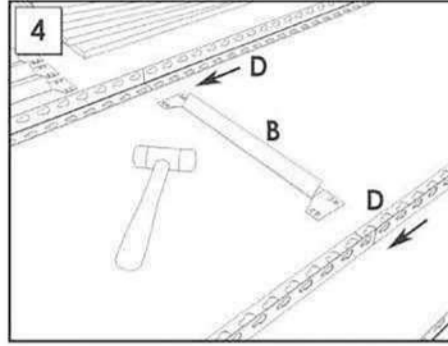
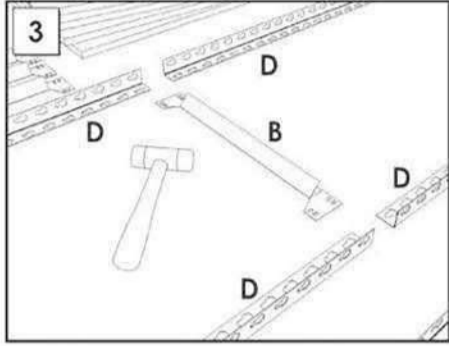
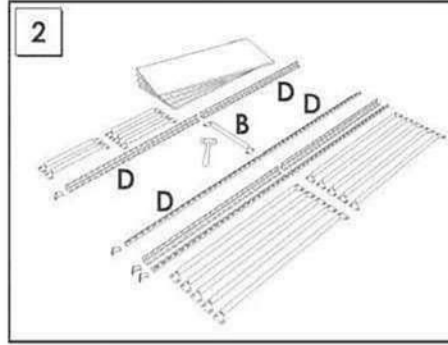
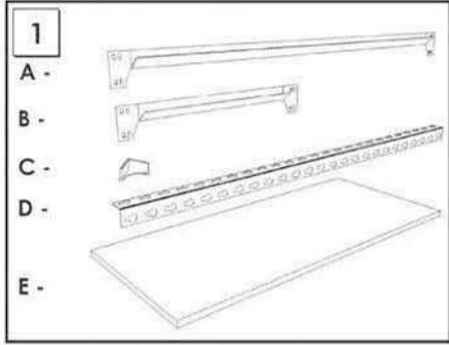
www.simonrack.com *



www.simonrack.com



INSTRUCTIONS



On-line instructions: www.instructionsrack.com/maderclick

SIMONCLASSIC



SIMONCLICK



SIMONOFFICE



SIMONTALLER



**BANCOS DE TRABAJO
WORK BENCHES**



SIMONHOME



**TAGUILLAS
LOCKER**



SIMONTITÁN



SIMONINOX



SIMONPALET



SIMONLEVER



**ALTILLOS Y PASILLOS ELEVADOS
PLATFORMS AND MEZZANINES**



www.simonrack.com • www.simonrack.com • www.simonrack.com • www.simonrack.com • www.simonrack.com