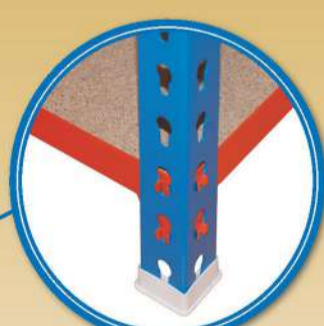
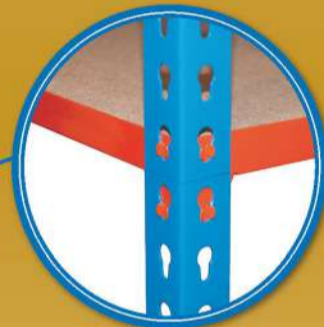


# 180 x 90 x 50 cm\* 70.9" x 35.4" x 19.7"

## MADERCLICK 5/500

**5** Años Garantía  
Years Guarantee  
Jahre Garantie  
Ans Garantie  
Anos de Garantia  
**SIMONRACK**



\*MEDIDAS EN USO: 1781 x 911 x 510 mm  
USED MEASUREMENTS: 70.12" x 35.87" x 20.08"



ESTANTERIAS SIMON S.L. B.50.556.463  
PG. ALFAMEN C/ POLIGONO C, Nº3  
ALFAMEN (ZARAGOZA)

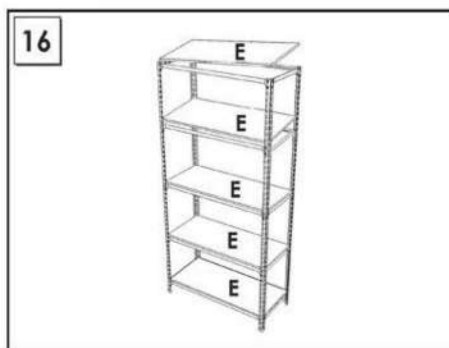
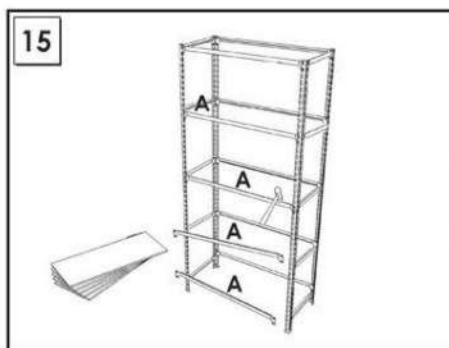
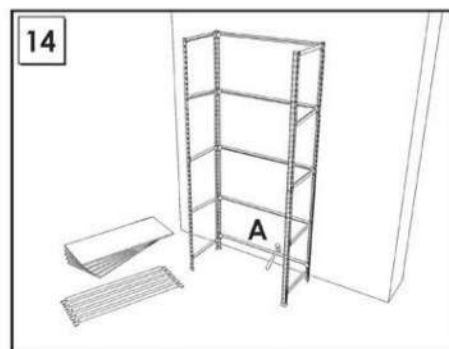
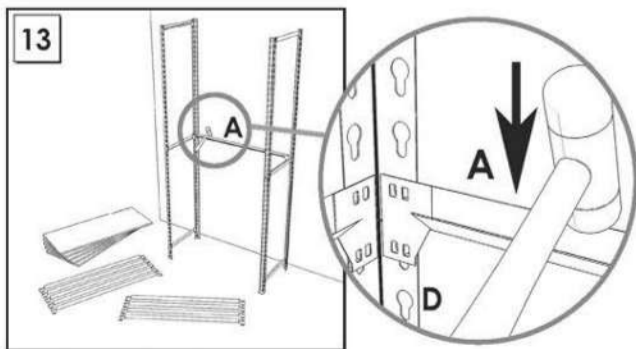
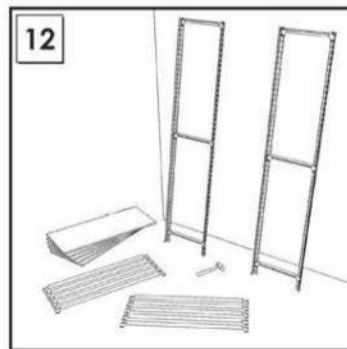
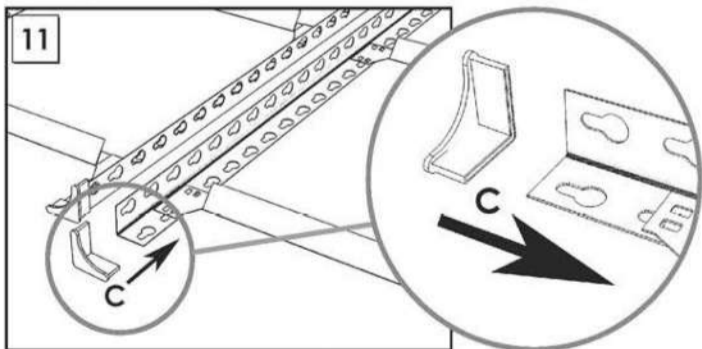
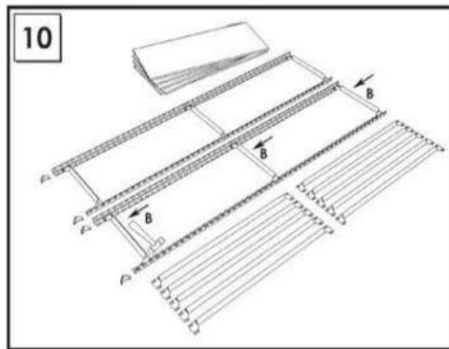
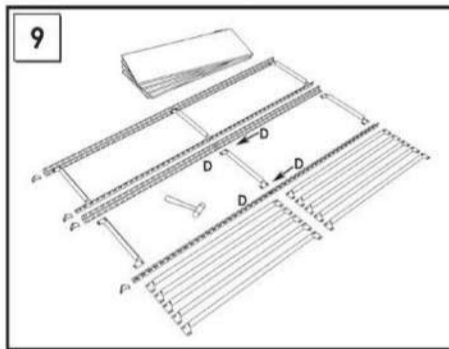
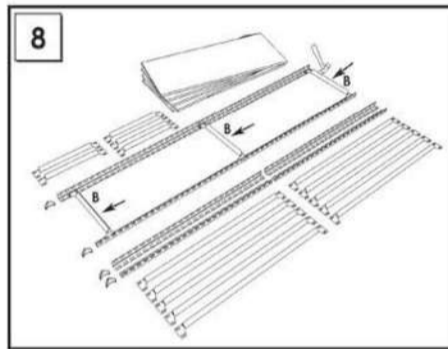
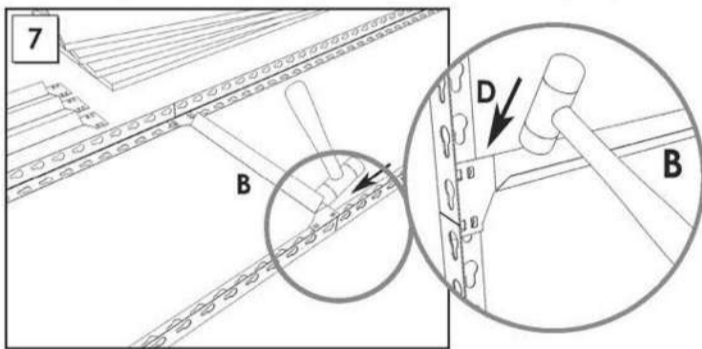
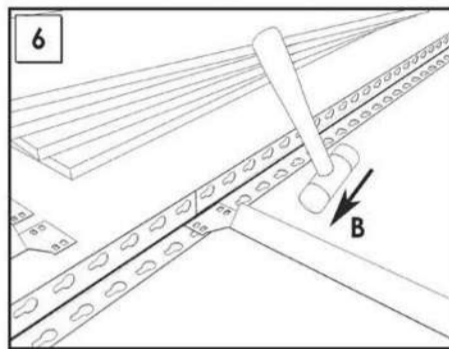
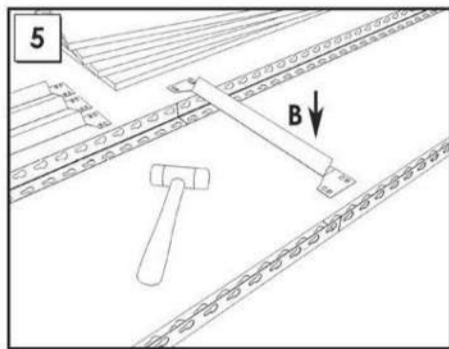
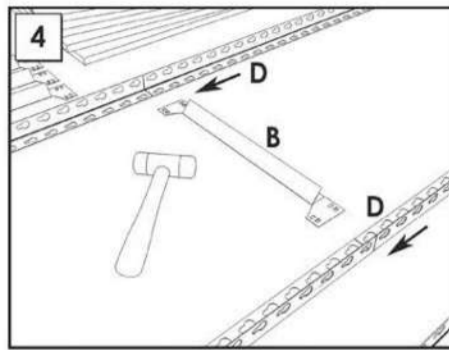
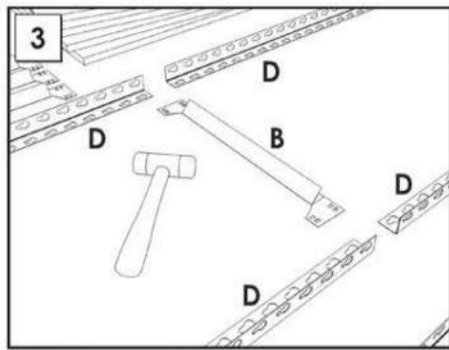
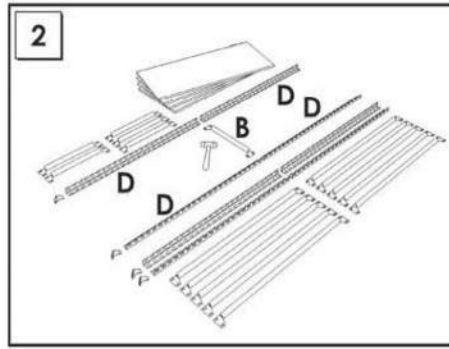
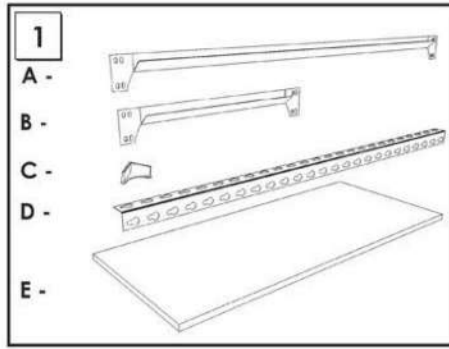
**Simon Rack**  
SINCE 1964 - MANUFACTURER



[www.simonrack.com](http://www.simonrack.com)



INSTRUCTIONS



**SIMONCLASSIC**

**BOLTS SYSTEM**

Up to: **150 Kg (331 lb)**  
Kg/Shelf  
Uniformly Distributed Load



**SIMONCLICK**

**NO BOLTS SYSTEM**

Up to: **400 Kg (882 lb)**  
Kg/Shelf  
Uniformly Distributed Load



**SIMONOFFICE**

**NO BOLTS SYSTEM**

Up to: **275 Kg (606 lb)**  
Kg/Shelf  
Uniformly Distributed Load



**SIMONTALLER**

**NO BOLTS SYSTEM**

Up to: **700 Kg (1543 lb)**  
Kg/Shelf  
Uniformly Distributed Load



**BANCOS DE TRABAJO WORK BENCHES**

Up to: **800 Kg (1764 lb)**  
Kg/Shelf  
Uniformly Distributed Load



**SIMONHOME**

Up to: **150 Kg (331 lb)**  
Kg/Shelf  
Uniformly Distributed Load



**TAGUILLAS LOCKER**



**SIMONTITÁN**

**NO BOLTS SYSTEM**

Up to: **900 Kg**  
Kg/Shelf  
Uniformly Distributed Load



**SIMONINOX**

**NO BOLTS SYSTEM**

Up to: **900 Kg**  
Kg/Shelf  
Uniformly Distributed Load



**SIMONPALET**

Up to: **4500 Kg (9921 lb)**  
Kg/Shelf  
Uniformly Distributed Load



**SIMONLEVER**

Up to: **4500 Kg (9921 lb)**  
Kg/Shelf  
Uniformly Distributed Load



**ALTILLOS Y PASILLOS ELEVADOS PLATFORMS AND MEZZANINES**

