

HOMECLICK METAL PLUS 4-300

160 x 100 x 30 cm (63.0" x 39.3" x 11.8")

5 Años Garantía
Years Guarantee
Jahre Garantie
Ans Garantie
Anos de Garantia
SIMONRACK



600 kg
(1400 lb)
Total

160 cm (63.0")

30 cm (11.8")

100 cm (39.3")



*MEDIDAS EN USO USED MEASUREMENTS
MASSNAHMEN IM EINSATZ MESURES EN EMPLOI MEDIDAS EM USO:
1585 x 1010 x 310 mm (62.4" x 39.7" x 12.2")

GREY



ESTANTERIAS SIMON S.L. B.50.556.463
PG. ALFAMEN C/ POLIGONO C, Nº3
ALFAMEN (ZARAGOZA)

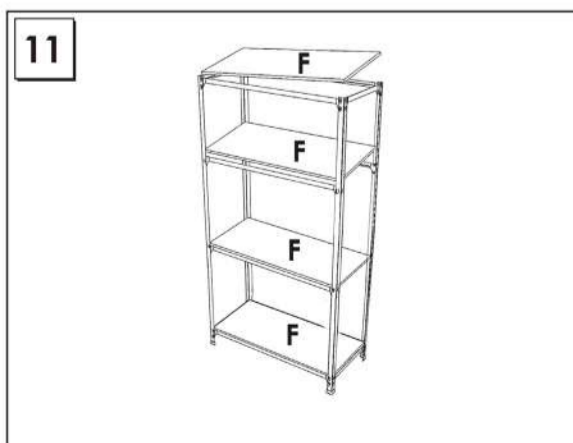
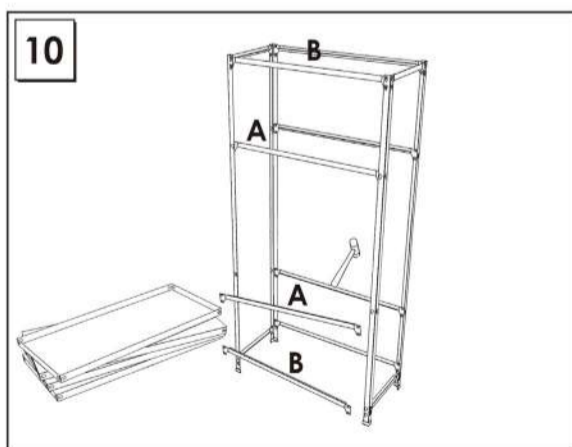
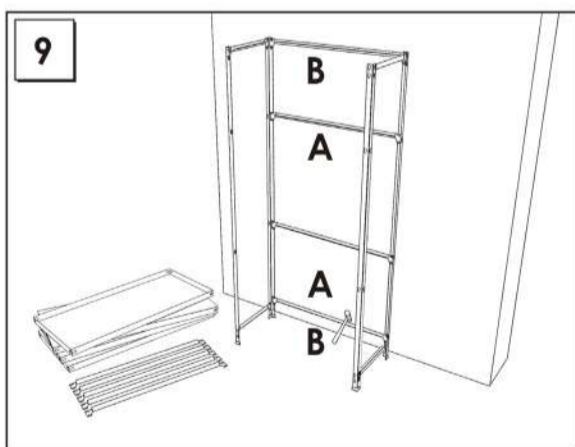
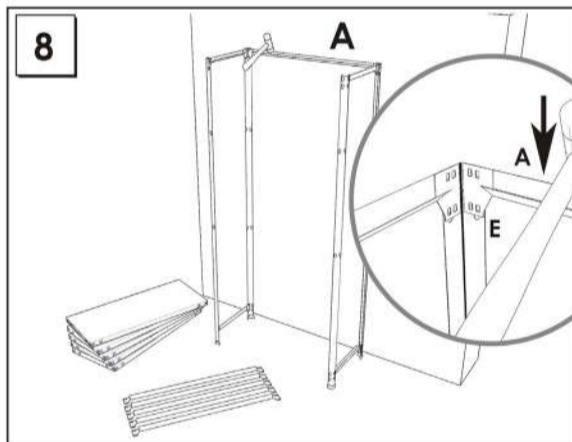
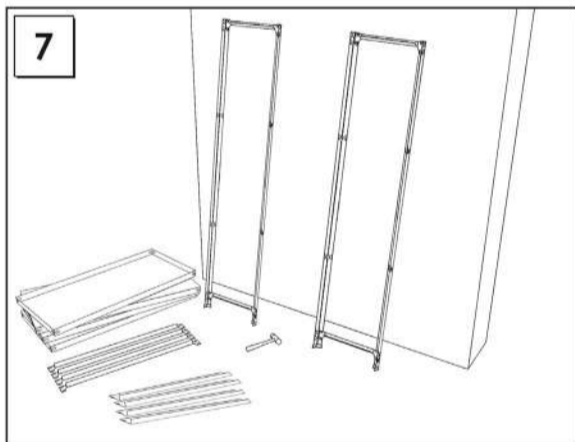
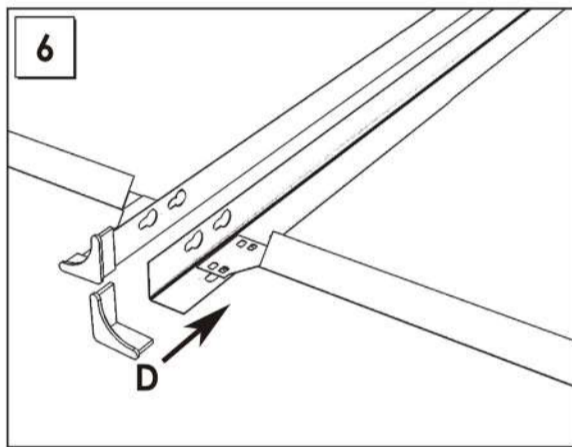
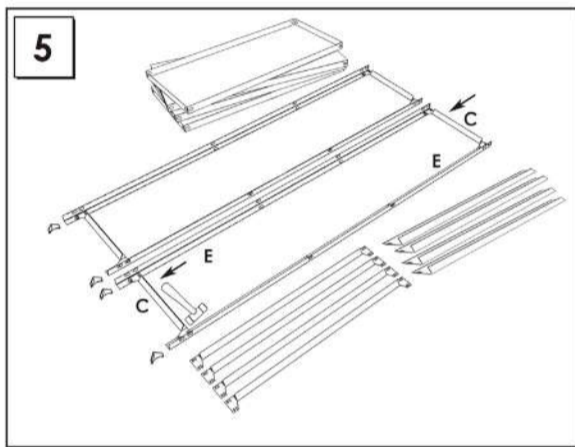
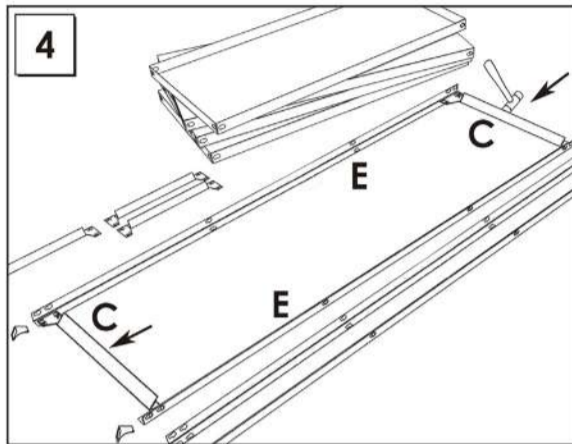
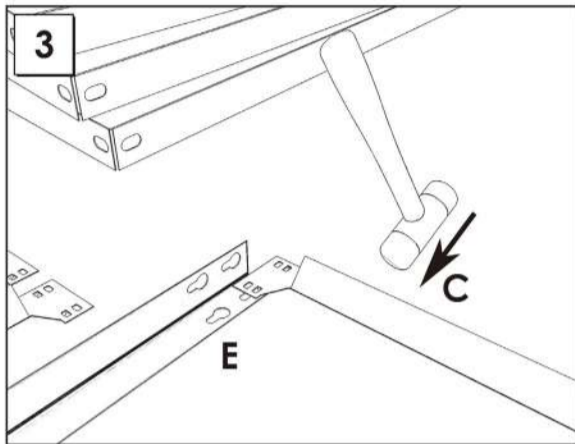
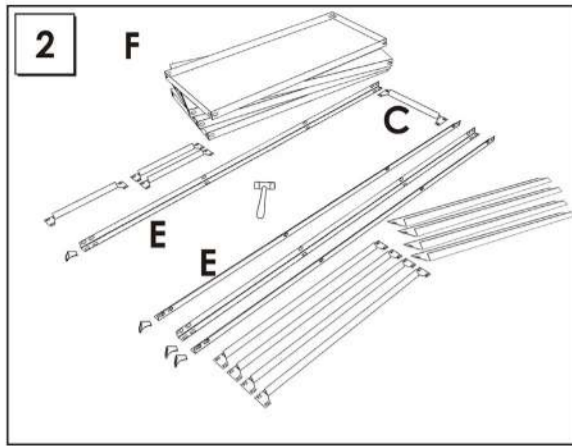
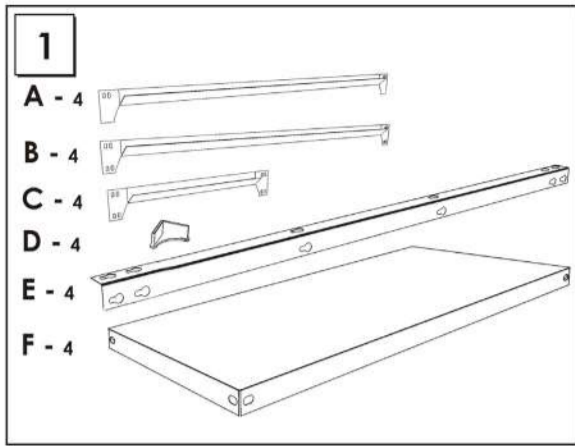
Simon
Rack
SINCE 1964 - MANUFACTURER



www.simonrack.com



INSTRUCCIONES
INSTRUCTIONS
ANLEITUNG
INSTRUCTIONS



SIMONCLASSIC



SIMONCLICK



SIMONOFFICE



SIMONTALLER



**BANCOS DE TRABAJO
WORK BENCHES**



SIMONHOME



**TAQUILLAS
LOCKER**



SIMONTITÁN



SIMONINOX



SIMONPALET



SIMONLEVER



**ALTILLOS Y PASILLOS ELEVADOS
PLATFORMS AND MEZZANINES**

