

150 x 90 x 30 cm

59.1" x 35.4" x 11.8"

ECOCLICK 4/300

5 Años Garantía
Years Guarantee
Jahre Garantie
Ans Garantie
Anos de Garantia
SIMONRACK



*MEDIDAS EN USO USED MEASUREMENTS
MASSNAHMEN IM EINSATZ MESURES EN EMPLOI MEDIDAS EM USO:
1485 x 910 x 310 mm (58.4" x 35.8" x 35.8")



ESTANTERIAS SIMON S.L. B.50.556.463
PG. ALFAMEN C/ POLIGONO C. N°3
ALFAMEN (ZARAGOZA)



Simon
Rack
SINCE 1964 - MANUFACTURER

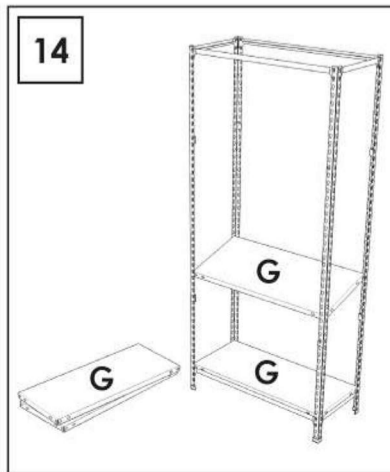
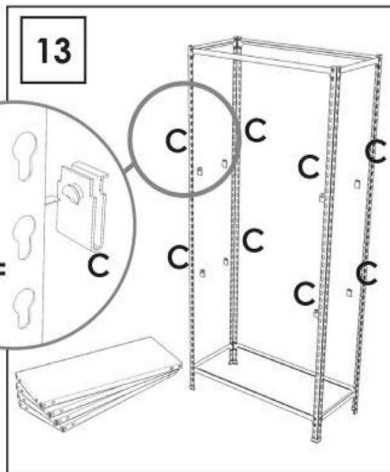
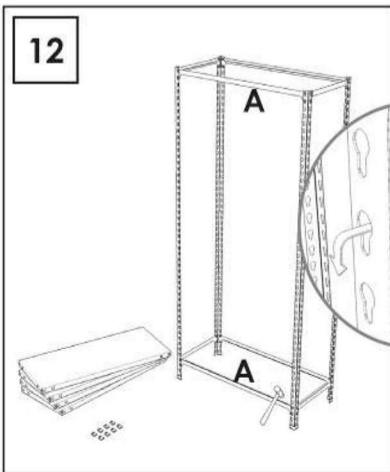
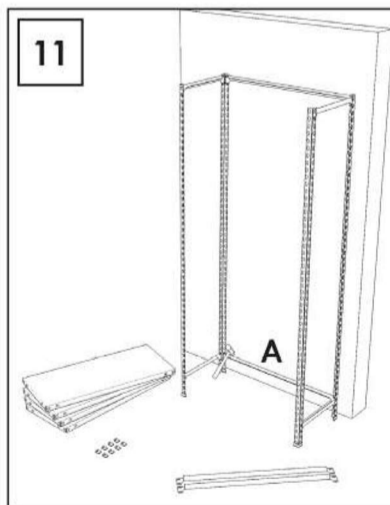
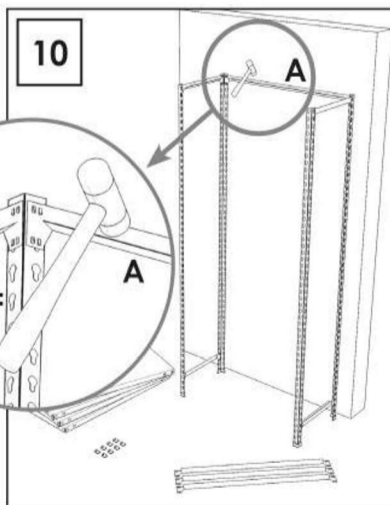
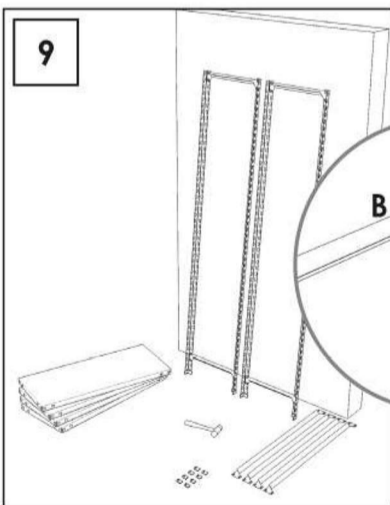
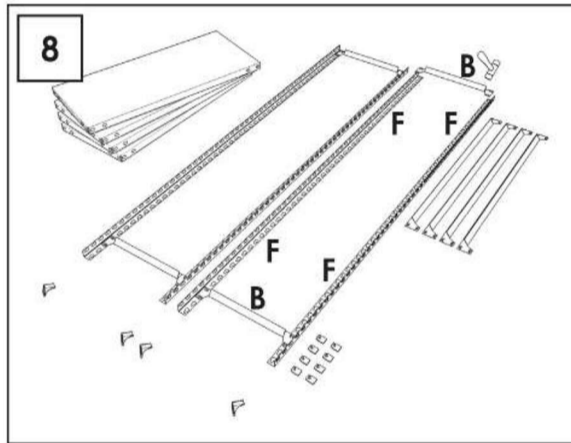
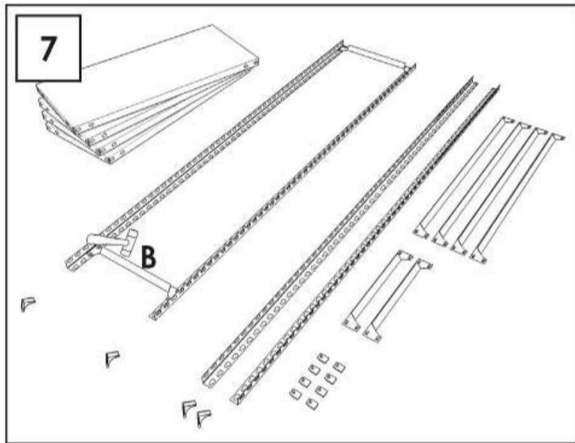
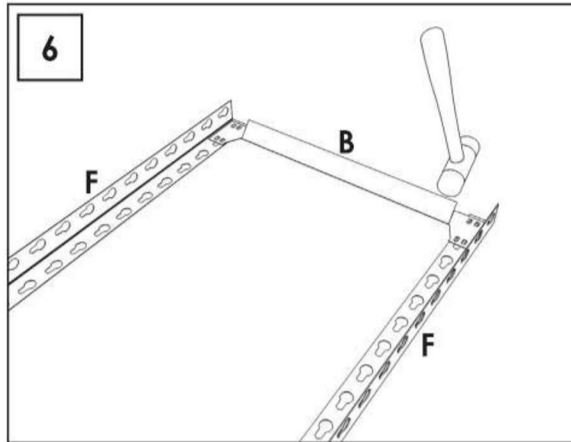
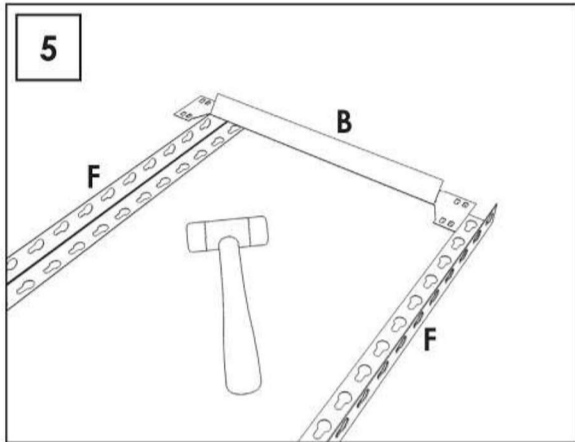
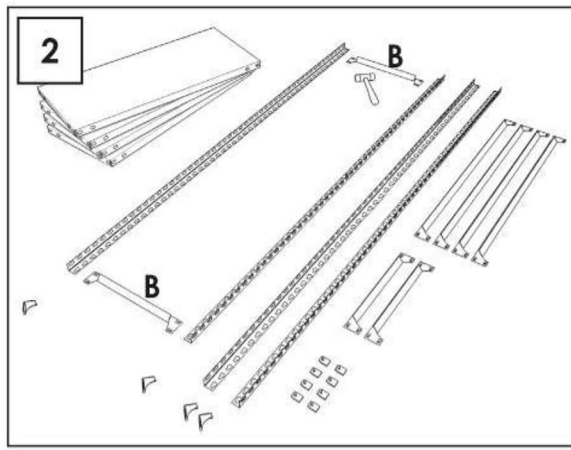
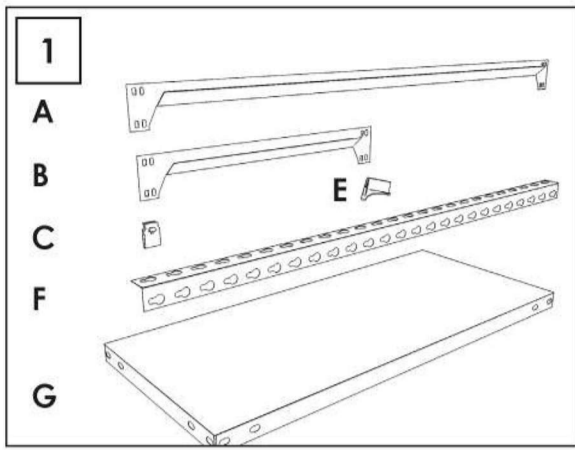
www.simonrack.com



www.simonrack.com



INSTRUCTIONS



SIMONCLASSIC

BOLTS SYSTEM



Up to: **100 Kg.**
Kg./Shelf
Uniformly Distributed Load



SIMONCLICK

NO BOLTS SYSTEM



Up to: **180 Kg.**
Kg./Shelf
Uniformly Distributed Load



SIMONOFFICE

NO BOLTS SYSTEM



Up to: **275 Kg.**
Kg./Shelf
Uniformly Distributed Load



SIMONTALLER

NO BOLTS SYSTEM



Up to: **600 Kg.**
Kg./Shelf
Uniformly Distributed Load



BANCOS DE TRABAJO

Up to: **800 Kg.**
Kg./Shelf
Uniformly Distributed Load



SIMONHOME

Up to: **150 Kg.**
Kg./Shelf
Uniformly Distributed Load



TAQUILLAS



SIMONTITÁN

NO BOLTS SYSTEM



Up to: **900 Kg.**
Kg./Shelf
Uniformly Distributed Load

SIMONINOX

NO BOLTS SYSTEM



SIMONPALET

Up to: **4500 Kg.**
Kg./Shelf
Uniformly Distributed Load

SIMONLEVER

ALTILLOS Y PASILLOS ELEVADOS

