

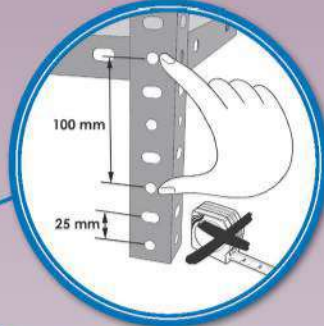
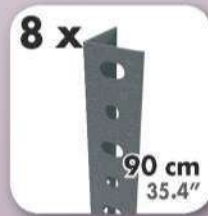
180 x 90 x 40 cm* 70.9" x 35.4" x 15.8"

COMFORT 5/400

5 Años Garantía
Years Guarantee
Jahre Garantie
Ans Garantie
Anos de Garantia
SIMONRACK



**500 kg
(1100 lb)
Total**



ESTANTERIAS SIMON S.L. B.50.556.463
PG. ALFAMEN C/ POLIGONO C, Nº3
ALFAMEN (ZARAGOZA)



**Simon
Rack**
SINCE 1964 - MANUFACTURER



www.simonrack.com



INSTRUCTIONS

