

SIMONWORK BTO BOX 1500

mobile

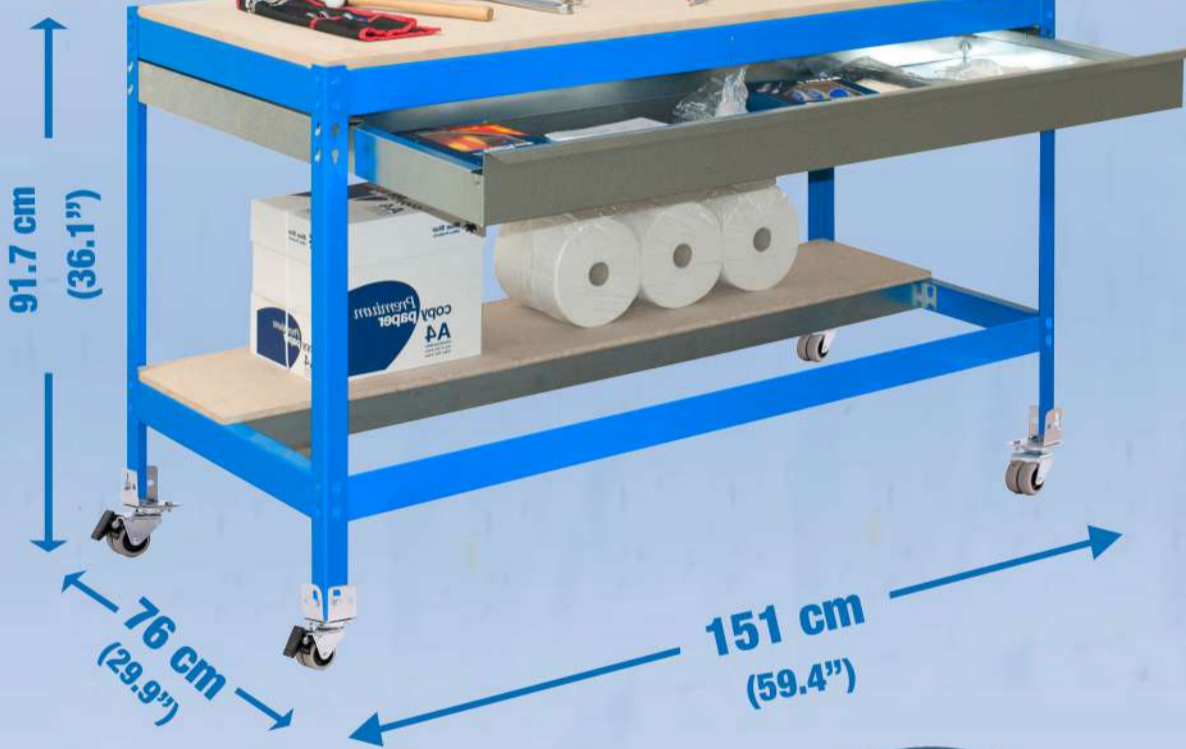
91,7 x 151 x 76 cm
36.1" x 59.4" x 29.9"



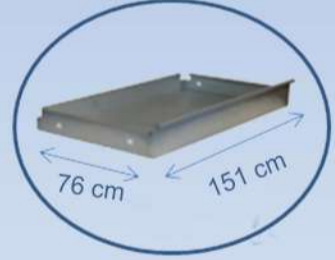
5 Años Garantía *
Years Guarantee
Jahre Garantie
Ans Garantie
Anos de Garantia
SIMONRACK

CAPACITÄ TOTALE BELLO SCAFFALE
CAPACITÉ TOTALE DE L'ÉTAGÈRE
TOTAL CAPACITY OF THE SHELVES
120 KG
DE LA ESTANTERÍA
DE PHARAZER
CAPACIDADE TOTAL

WHEELS INCLUDED - INCLUI ROZAS
INCLUE RUEDAS - INCLUDE ROOTE



PACKAGING 90% RECYCLED
90% DE MATERIAL RECICLADO
90% RECYCLED MATERIAL
90% MATERIAL RECYCLE
90% DE MATERIAL RECICLADO



Carga uniformemente repartida
Evenly distributed load
Gleichmäßig verteilte Last
Charge uniformément répartie
Carga uniformemente distribuida

- 1 x 75 cm (29.5")
- 2 x 75 cm (29.5")
- 2 x 60 cm (22.8")
- 1 x 35 kg (80 lb) 56 x 137 cm (22.0 x 53.9")
- 10 x



- 1 x 75 x 150 cm MDF (29.5 x 59.1")
- 1 x 40 x 150 cm (15.8 x 59.1")
- 1 x 150 cm (59.1")
- 8 x
- 4 x 84 cm (33.1")
- 4 x 150 cm (59.1")
- 4 x 75 cm (29.5")

*MEDIDAS EN USO USED MEASUREMENTS
MASSNAHMEN IM EINSATZ MESURES EN EMPLOI MEDIDAS EN USO:
922 x 1520 x 770 mm (36.2" x 59.8" x 30.3")

- 2 x
- 2 x
- 12 x



Simon Rack
SINCE 1964 - MANUFACTURER



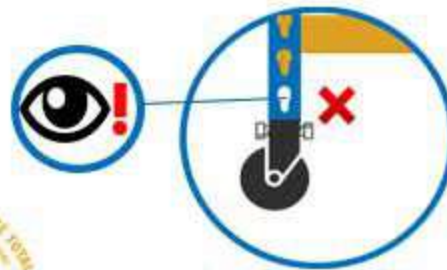
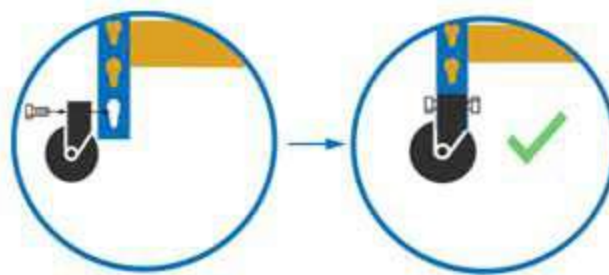
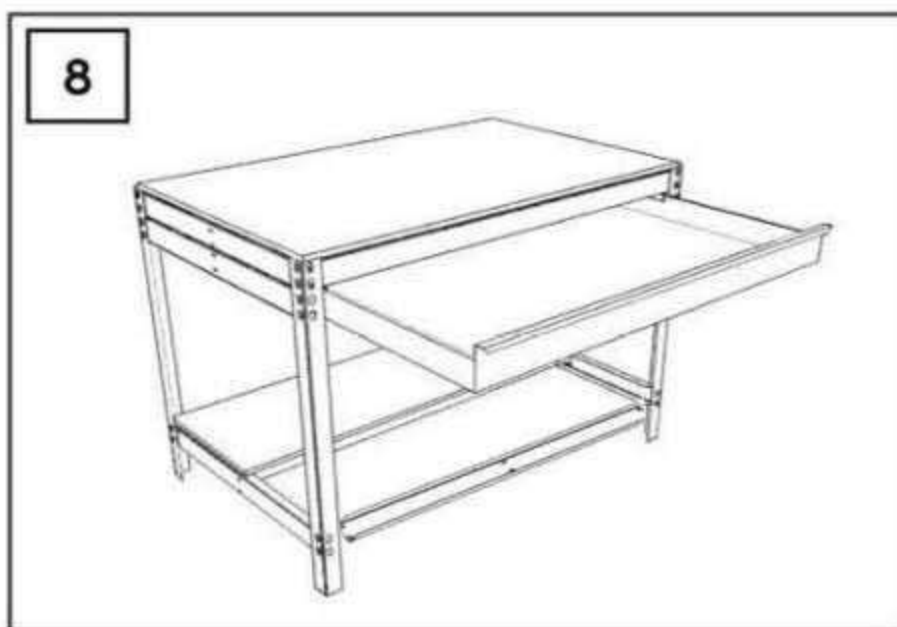
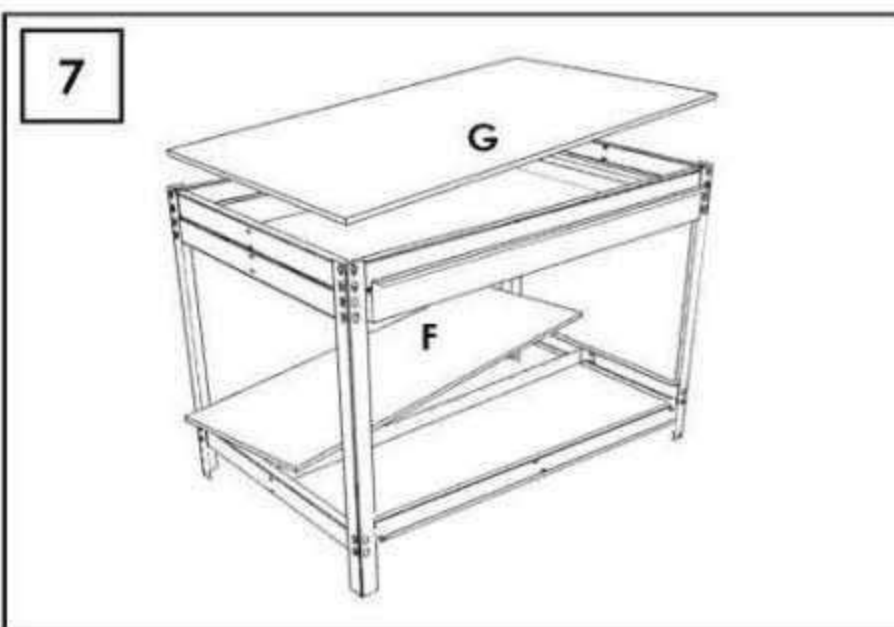
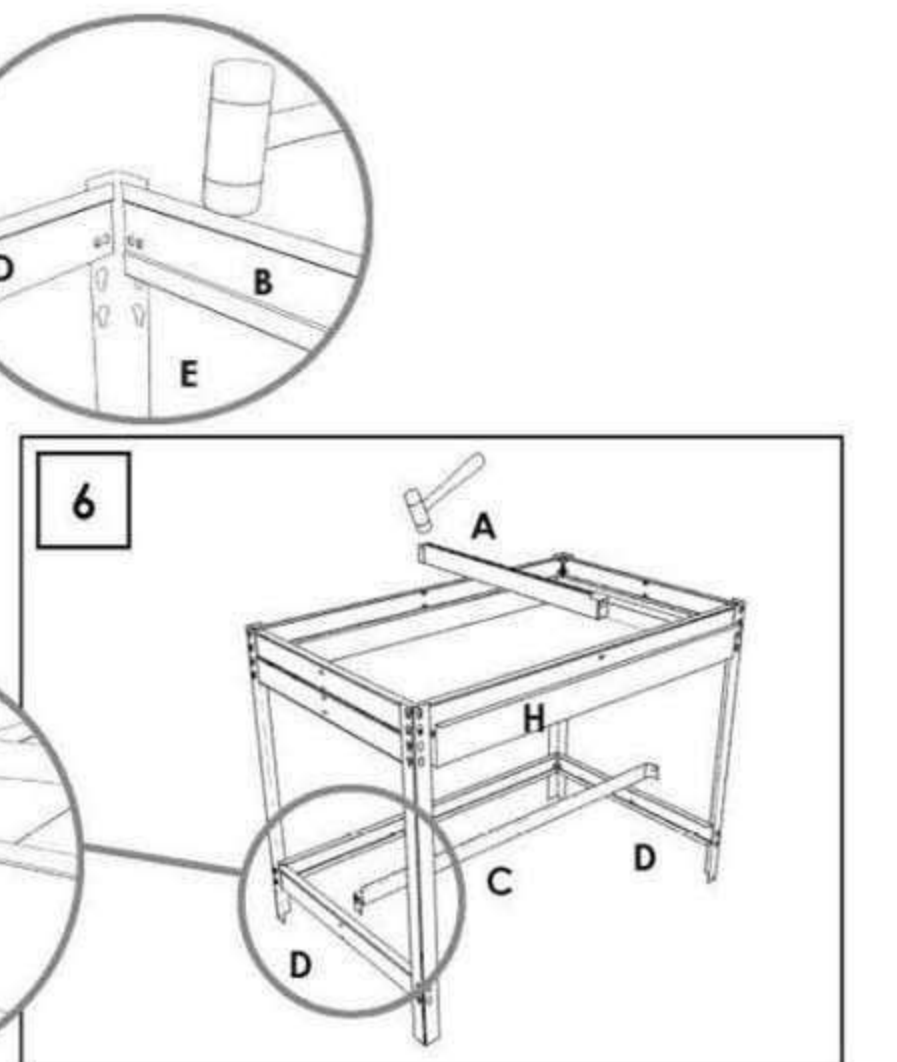
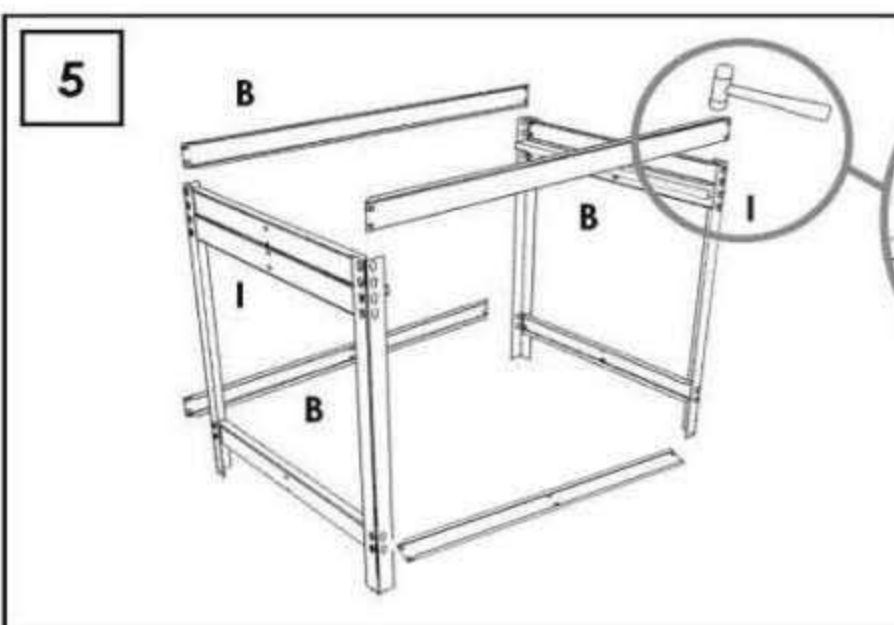
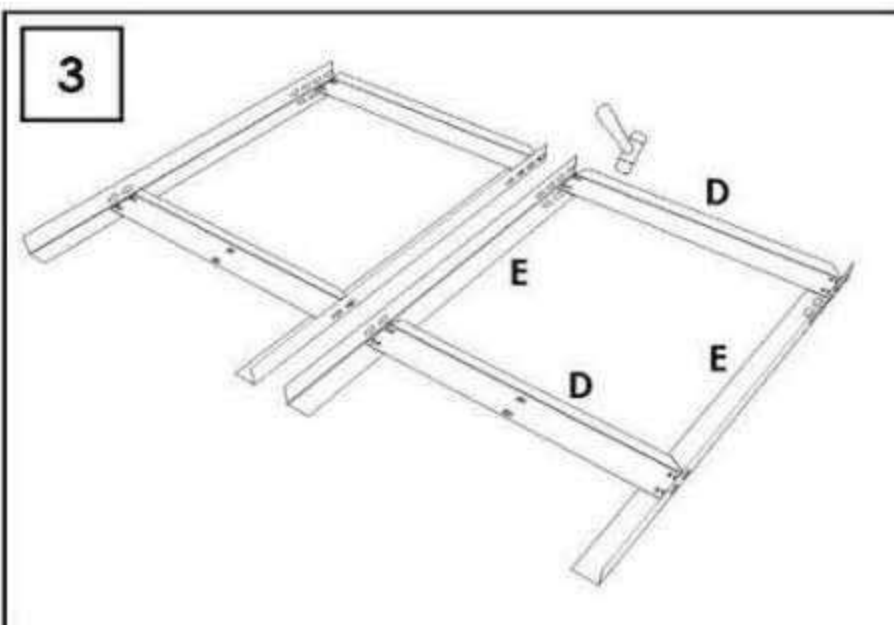
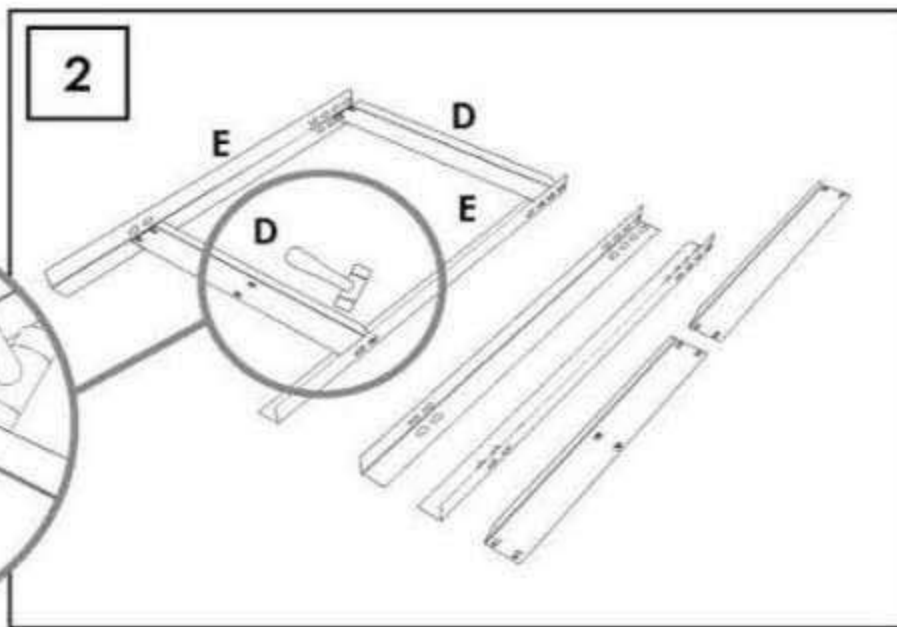
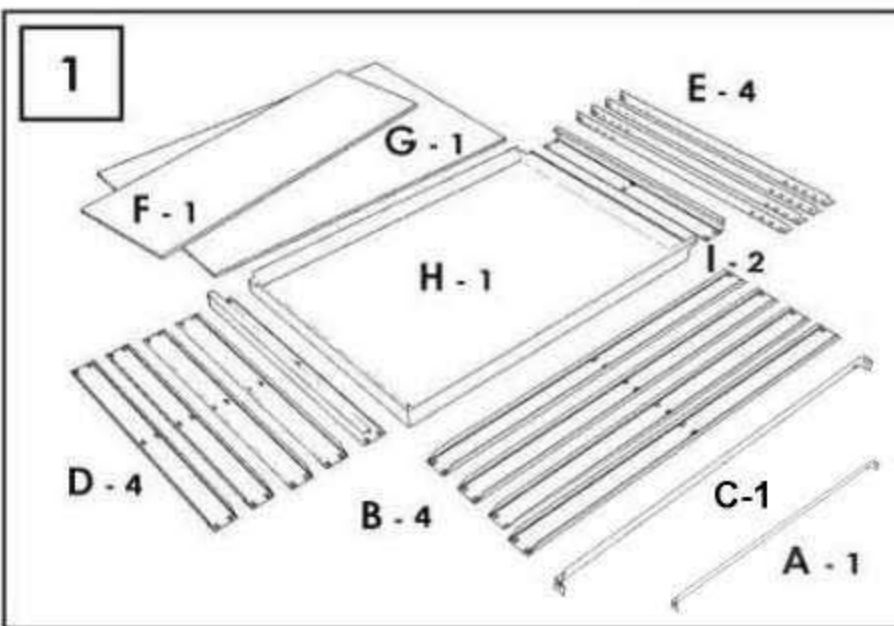
ESTANTERIAS SIMON S.L. B.60.556.463
PG. ALFAMEN C/ POLIGONO C. Nº3
ALFAMEN (ZARAGOZA)



www.simonrack.com



INSTRUCCIONES
INSTRUCTIONS
ANLEITUNG
INSTRUCTIONS



Carga uniformemente repartida
Evenly distributed load
Gleichmäßig verteilte Last
Charge uniformément répartie
Carga uniformemente distribuída

Colocar larguero en el primer agujero disponible
First beam in the hole immediately above the wheel
Erstes Quertraverse im Loch direkt über dem Rad
Premier montant dans le trou juste au-dessus de la roue
Primeira travessa no orifício logo acima da roda

SIMONCLASSIC



SIMONCLICK



SIMONTALLER



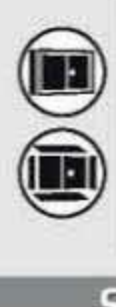
SIMONAUTO



SIMONWORK



SIMONLOCKER



SIMONOFFICE



SIMONHOME



SIMONGARDEN



SIMONTITAN

SIMONINOX



SIMONINDUSTRIAL

SIMONPALET

SIMONLEVER



ALTILLOS Y PASILLOS ELEVADOS
PLATFORMS AND MEZZANINES
LAGERBÜHNEN • PLATES-FORMES ET MEZZANINES



* Kg / lb per bandeja con carga uniformemente repartida
Kg / lb per shelf uniformly distributed load
Kg / lb pro fach bei gleichmäßig verteilter Last
Kg / lb per plateau avec charge uniformément répartie



