

SIMONWORK BT6 BOX 1200

Plywood



87 x 120 x 75 cm
34.3" x 47.2" x 29.5"



5 Años Garantía
 Years Guarantee
 Jahre Garantie
 Ans Garantie
 Anos de Garantía
SIMONRACK



- | | | | | |
|--------------------------------|------------------------------|------------------------------|-------------------------------|---|
| 4 x
82.5 cm
32.5" | 2 x
72 cm
28.3" | 2 x
72 cm
28.3" | 2 x
100 cm
39.4" | 1 x
75x120 cm
29.5"x47.21" |
| 54 x | 42 + 4 x | 4 x | 2 x
72 cm
28.3" | 1 x
35 kg
(80 lb)
56x85 cm
22.0"x33.5" |

*MEDIDAS EN USO USED MEASUREMENTS
 MASSNAHMEN IM EINSATZ MESURES EN EMPLOI MEDIDAS EM USO:
 870 x 1210 x 750 mm (34.2" x 47.6" x 29.5")



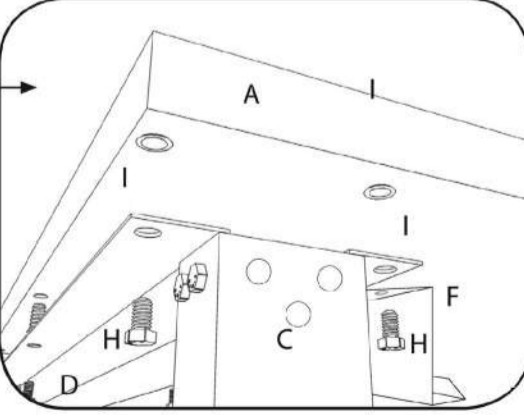
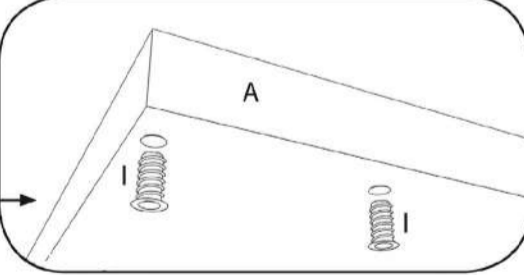
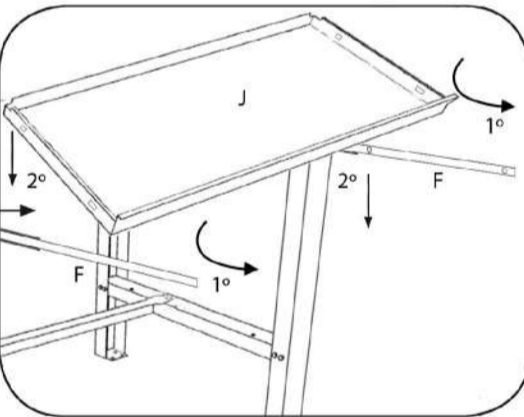
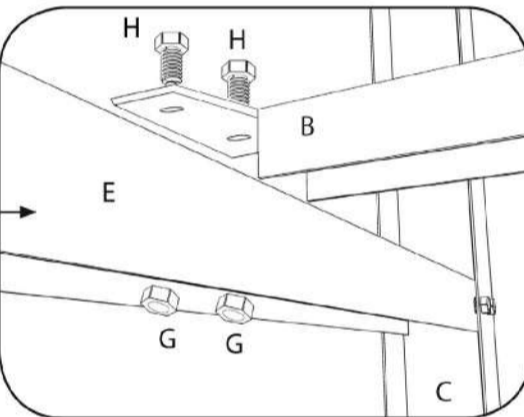
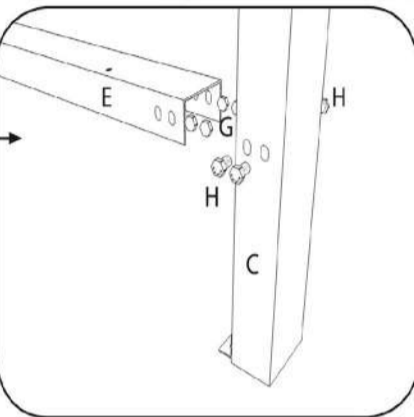
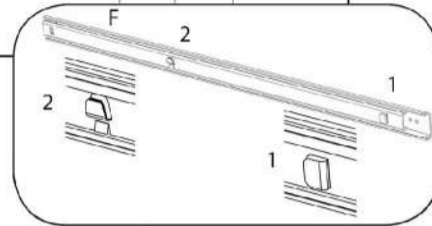
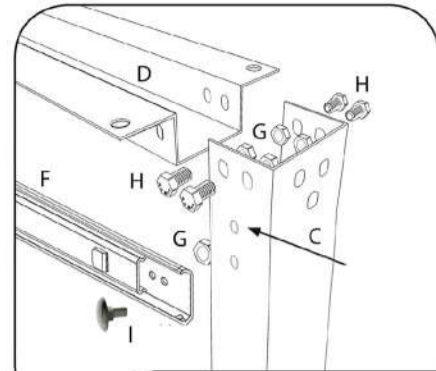
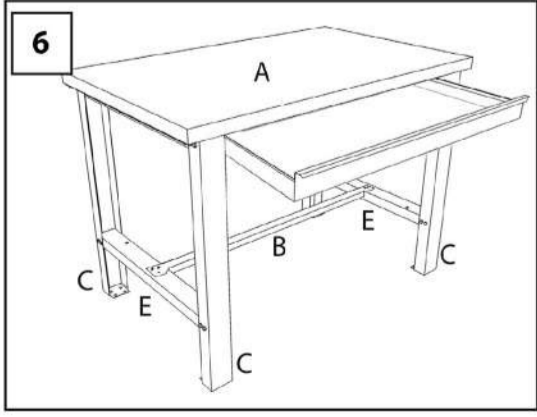
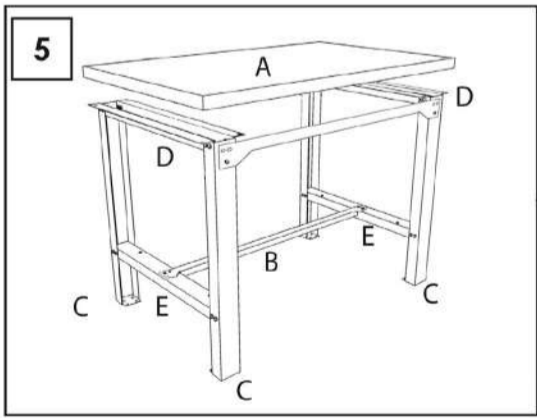
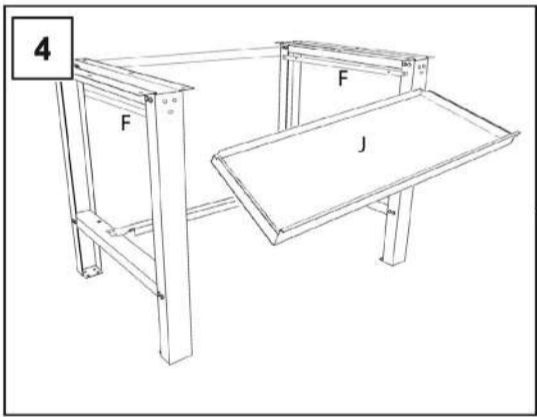
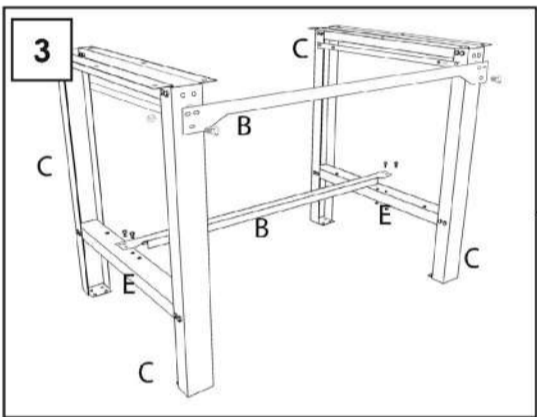
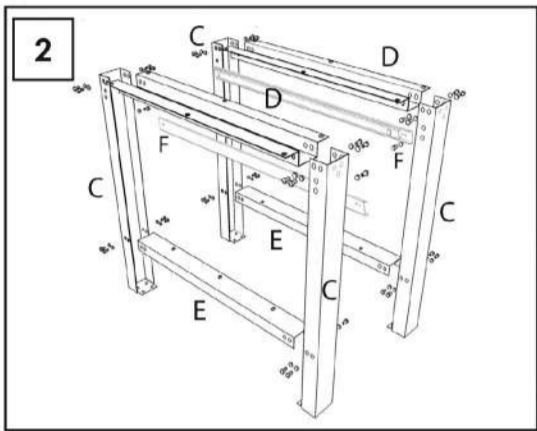
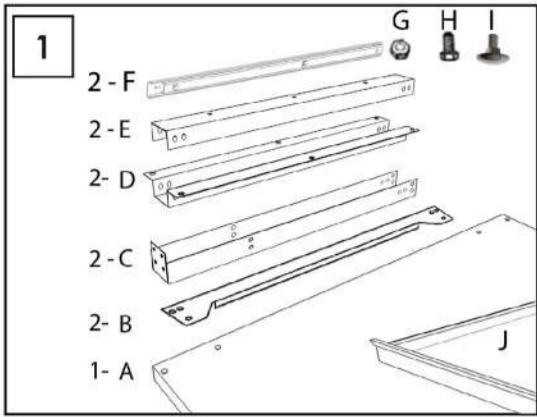
ESTANTERIAS SIMON S.L. B.50.556.463
 PG. ALFAMEN C/ POLIGONO C, Nº3
 ALFAMEN (ZARAGOZA)



www.simonrack.com



INSTRUCCIONES
 INSTRUCTIONS
 ANLEITUNG



SIMONCLASSIC



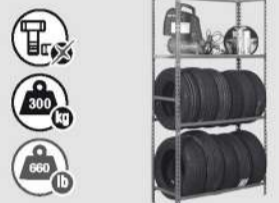
SIMONCLICK



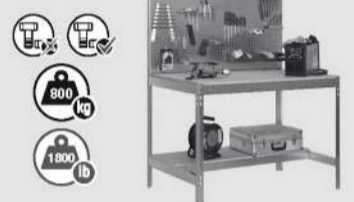
SIMONTALLER



SIMONAUTO



SIMONWORK



SIMONLOCKER



SIMONOFFICE



SIMONHOME



SIMONGARDEN



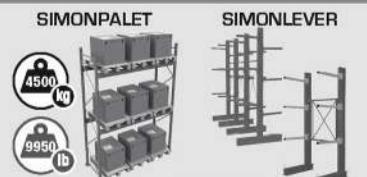
SIMONTITÁN



SIMONINOX



SIMONINDUSTRIAL



SIMONPALET



SIMONLEVER



AL TILLOS Y PASILLOS ELEVADOS
PLATFORMS AND MEZZANINES
LAGERBUHNEN • PLATES-FORMES ET MEZZANINES



* Kg / lb por bandeja con carga uniformemente repartida
Kg / lb per shelf uniformly distributed load
Kg / lb pro fach bei gleichmäßig verteilter Last
Kg / lb par plateau avec charge uniformément répartie

