

SIMONWORK BT6 BOX 1500 *Metal*



83,5 x 150,3 x 73,3 cm
32.9" x 59.2" x 28.9"



5 Años Garantía
 Years Guarantee
 Jahre Garantie
 Ans Garantie
 Anos de Garantia
SIMONRACK



- | | | | | |
|------------------------------------|----------------------------------|----------------------------------|-----------------------------------|---|
| 4 x

82.5 cm
32.5" | 2 x

72 cm
28.3" | 2 x

72 cm
28.3" | 2 x

100 cm
39.4" | 1 x

73x150 cm
28.7"x59.1" |
| 46 x
 | 46 + 4 x
 | 4 x
 | 2 x

72 cm
28.3" | 1 x

35 kg
(80 lb)
56x85 cm
22.0"x33.5" |

*MEDIDAS EN USO USED MEASUREMENTS
 MASSNAHMEN IM EINSATZ MESURES EN EMPLOI MEDIDAS EM USO:
 835 x 1503 x 733 mm (32.8" x 59.1" x 28.8")



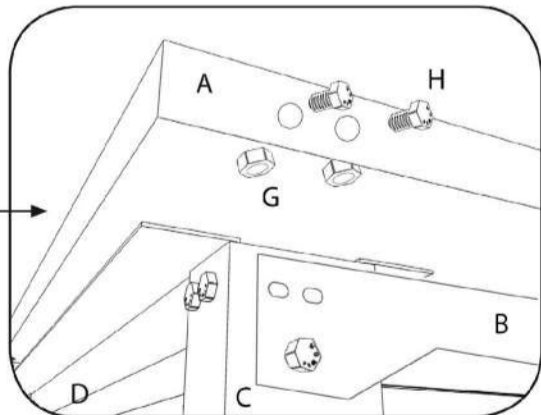
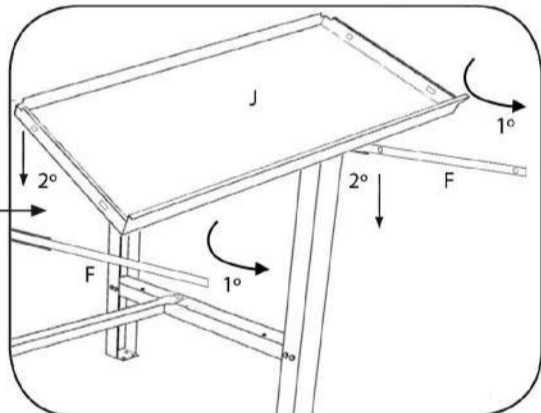
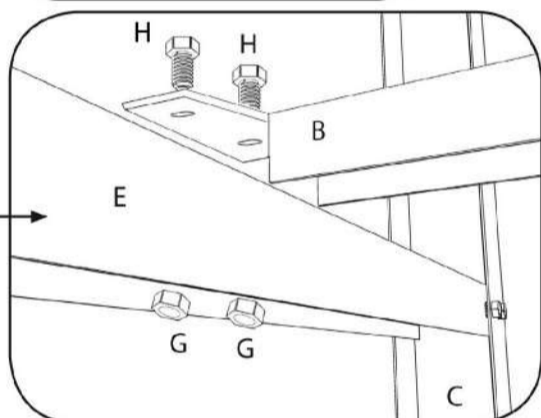
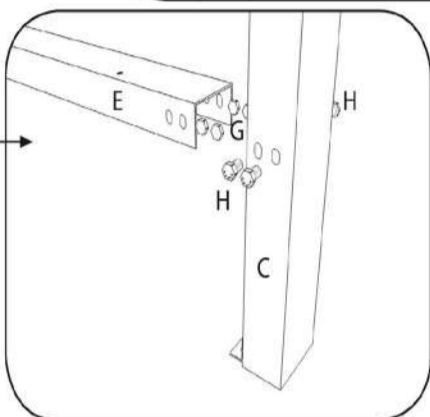
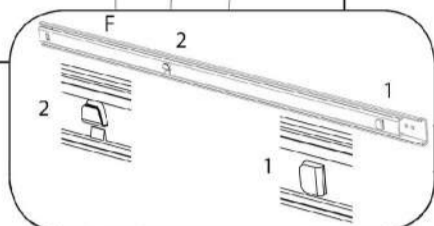
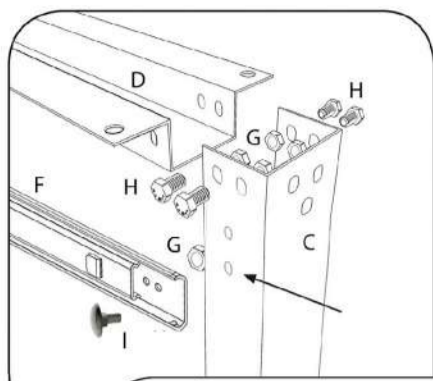
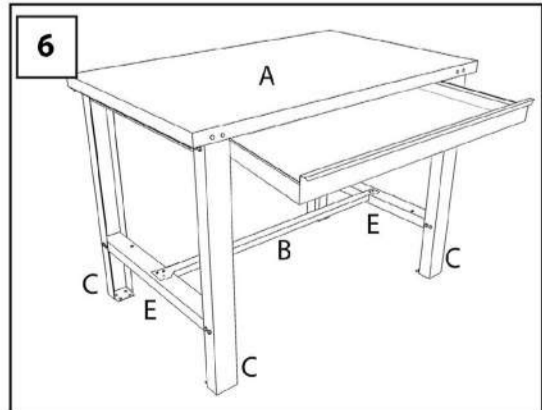
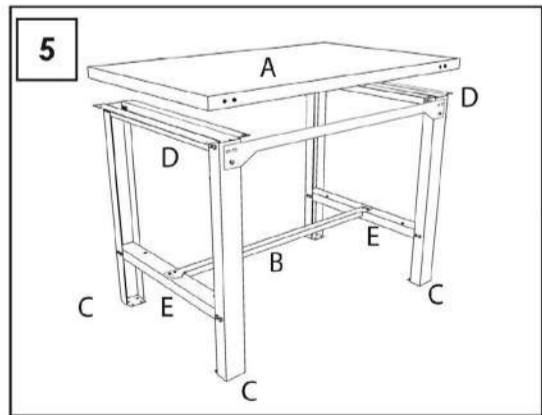
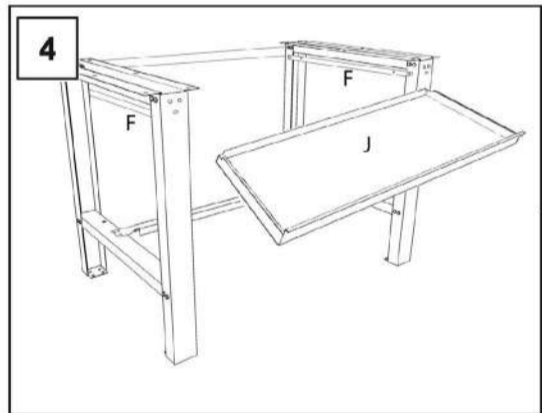
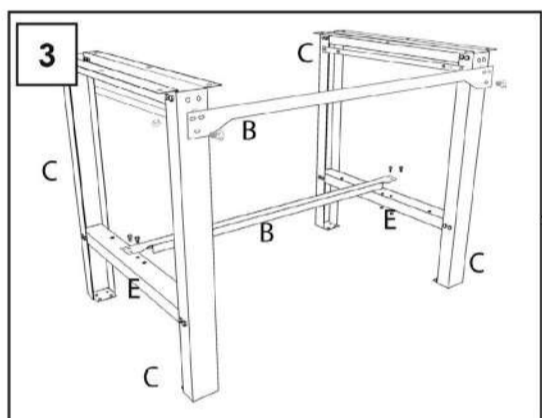
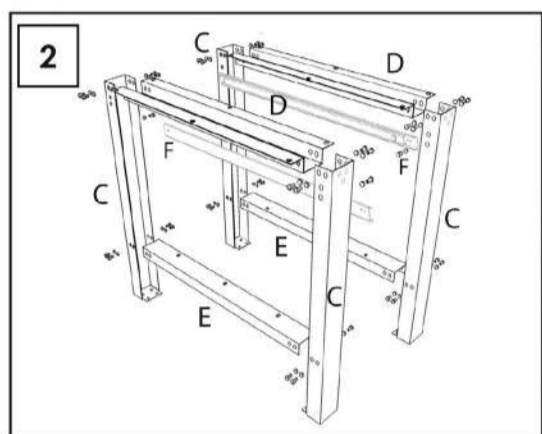
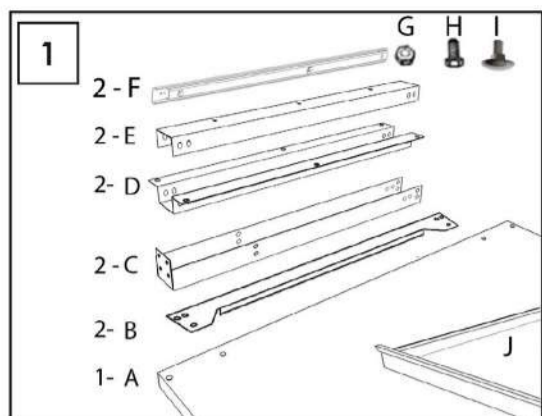
ESTANTERIAS SIMON S.L. B.50.556.463
 PG. ALFAMEN C/ POLIGONO C, N°3
 ALFAMEN (ZARAGOZA)



www.simonrack.com



INSTRUCCIONES
 INSTRUCTIONS
 ANLEITUNG
 INSTRUCTIONS



www.simonrack.com • www.simonrack.com • www.simonrack.com • www.simonrack.com • www.simonrack.com • www.simonrack.com • www.simonrack.com • www.simonrack.com • www.simonrack.com • www.simonrack.com • www.simonrack.com • www.simonrack.com

SIMONCLASSIC



SIMONCLICK



SIMONTALLER



SIMONAUTO



SIMONWORK



SIMONLOCKER



SIMONOFFICE



SIMONHOME



SIMONGARDEN



SIMONTITÁN

SIMONINOX



SIMONINDUSTRIAL

SIMONPALET

SIMONLEVER



ALTILLOS Y PASILLOS ELEVADOS
PLATFORMS AND MEZZANINES
LAGERBÜHNEN • PLATES-FORMES ET MEZZANINES



* Kg / lb por bandeja con carga uniformemente repartida
Kg / lb per shelf / uniformly distributed load
Kg / lb pro fach bei gleichmäßig verteilter last
Kg / lb par plateau avec charge uniformément répartie

