

# SIMONWORK BT6 BOX 1200 *Metal*



**83,5 x 120,3 x 73,3 cm**  
**32.9" x 47.4" x 28.9"**



**5** Años Garantía  
 Years Guarantee  
 Jahre Garantie  
 Ans Garantie  
 Anos de Garantía  
**SIMONRACK**



- |                                    |                                    |                                  |                                   |   |
|------------------------------------|------------------------------------|----------------------------------|-----------------------------------|---|
| <b>4 x</b><br><br>82.5 cm<br>32.5" | <b>2 x</b><br><br>72 cm<br>28.3"   | <b>2 x</b><br><br>72 cm<br>28.3" | <b>2 x</b><br><br>100 cm<br>39.4" | <b>1 x</b><br><br>73x120 cm<br>28.7" x 47.2"                  |
| <b>46 x</b><br><br>46 bolts        | <b>46 + 4 x</b><br><br>46 + 4 nuts | <b>4 x</b><br><br>4 washers      | <b>2 x</b><br><br>72 cm<br>28.3"  | <b>1 x</b><br><br>35 kg<br>80 lb<br>56x85 cm<br>22.0" x 33.5" |



\*MEDIDAS EN USO USED MEASUREMENTS  
 MASSNAHMEN IM EINSATZ MESURES EN EMPLOI MEDIDAS EM USO:  
 835 x 1203 x 733 mm ( 32.8" x 47.3" x 28.8")



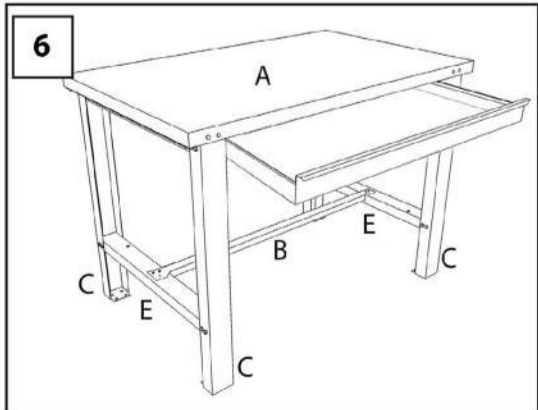
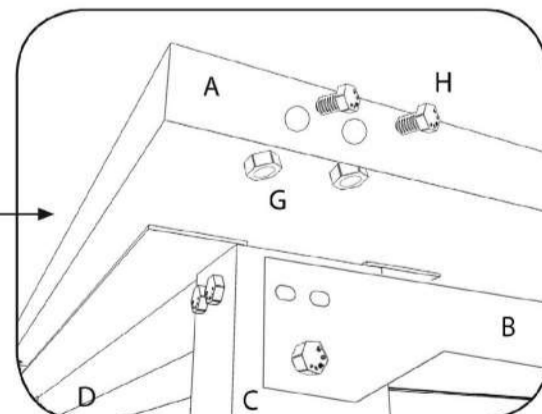
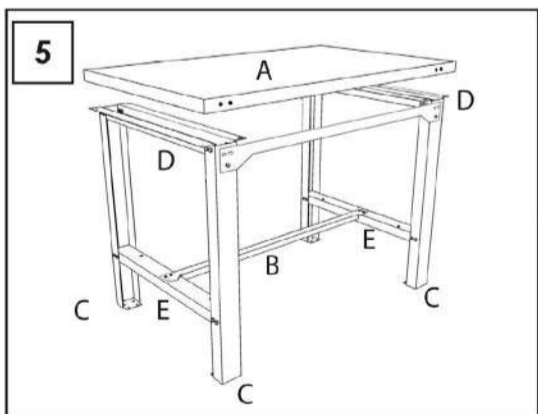
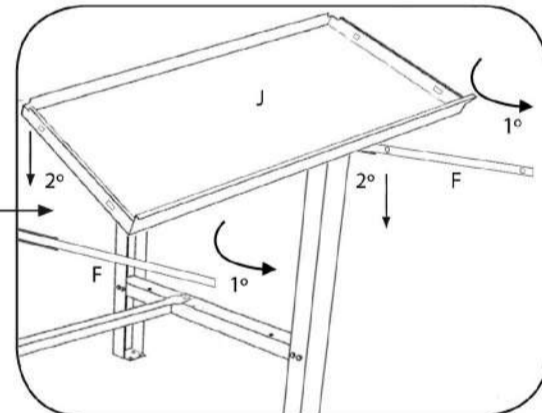
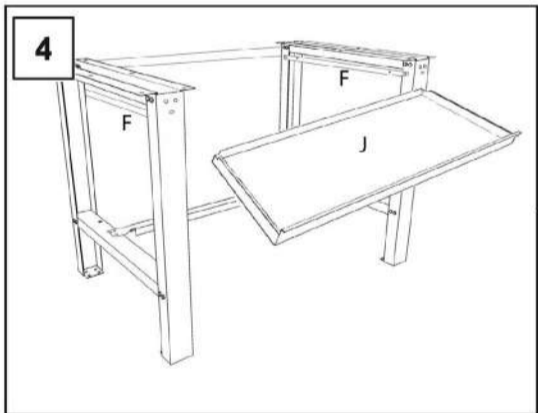
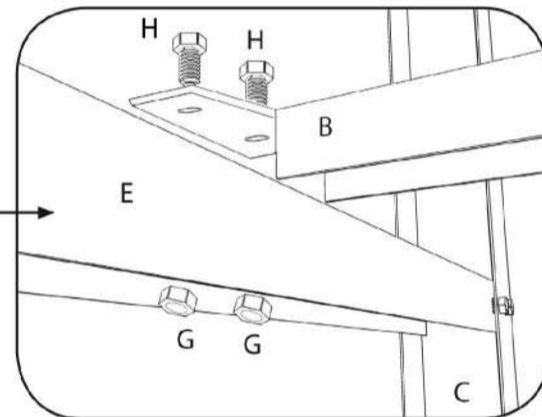
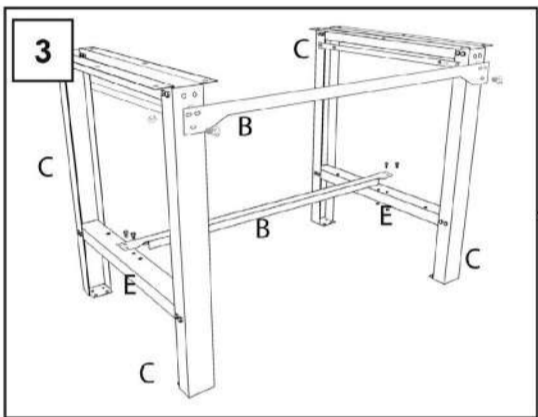
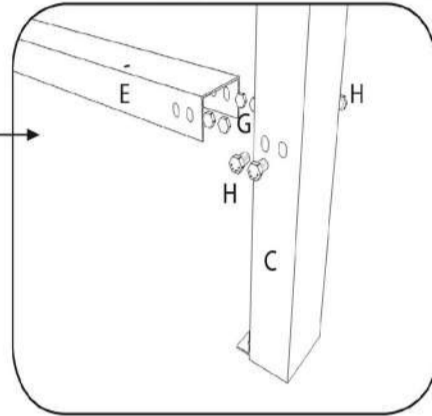
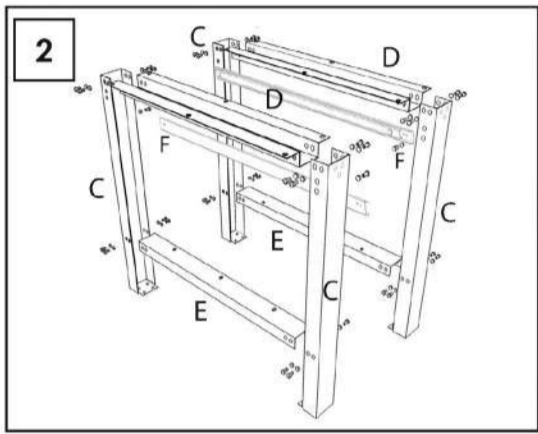
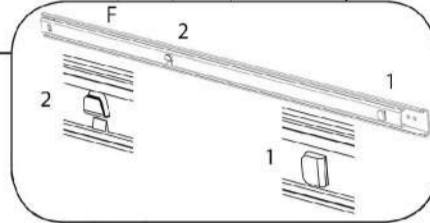
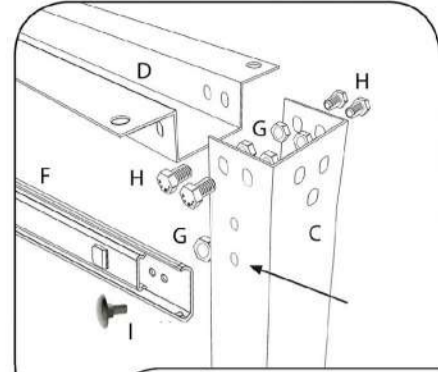
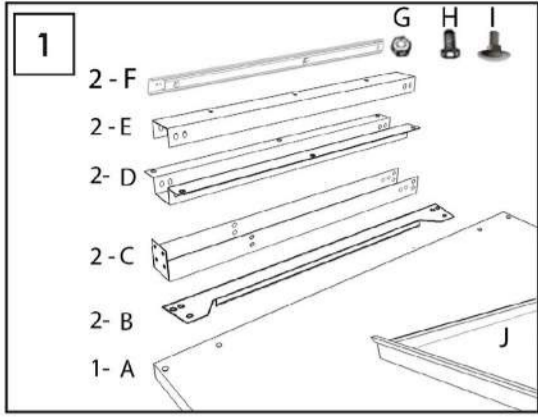
ESTANTERIAS SIMON S.L. B.50.556.463  
 PG. ALFAMEN C/ POLIGONO C, N°3  
 ALFAMEN (ZARAGOZA)



[www.simonrack.com](http://www.simonrack.com)



INSTRUCCIONES  
 INSTRUCTIONS  
 ANLEITUNG  
 INSTRUCTIONS



[www.simonrack.com](http://www.simonrack.com)

**SIMONCLASSIC**

150 kg  
350 lb

**SIMONCLICK**

400 kg  
900 lb

**SIMONTALLER**

700 kg  
1550 lb

**SIMONAUTO**

300 kg  
660 lb

**SIMONWORK**

800 kg  
1800 lb

**SIMONLOCKER**

**SIMONOFFICE**

275 kg  
600 lb

**SIMONHOME**

150 kg  
350 lb

**SIMONGARDEN**

600 kg  
1350 lb

**SIMONTITÁN**

900 kg  
1990 lb

**SIMONINOX**

**SIMONINDUSTRIAL**

SIMONPALET SIMONLEVER

4500 kg  
9950 lb

ALTILLOS Y PASILLOS ELEVADOS  
PLATFORMS AND MEZZANINES  
LAGERBUHNIEN • PLATES-FORMES ET MEZZANINES

\* Kg / lb por bandeja con carga uniformemente repartida  
Kg / lb per shelf uniformly distributed load  
Kg / lb pro fach bei gleichmäßig verteilter Last  
Kg / lb par plateau avec charge uniformément répartie

