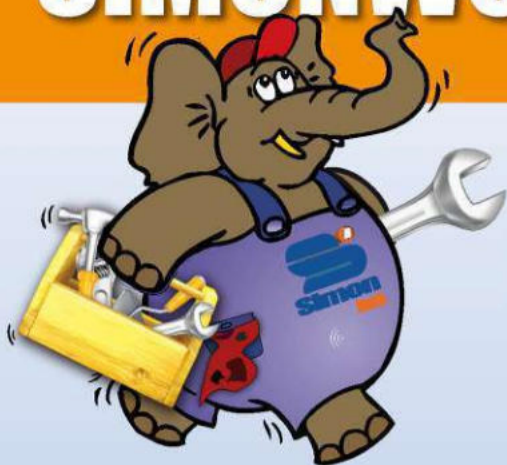


# SIMONWORK BT6 LMDF 1800

## Cabinet

### 87 x 180 x 75 mm 32.4" x 70.8" x 29.5"



**5** Años Garantía  
Years Guarantee  
Jahre Garantie  
Ans Garantie  
Anos de Garantia  
**SIMONRACK**



- |                                    |                                  |                                  |   |  |
|------------------------------------|----------------------------------|----------------------------------|---|--|
| <b>4 x</b><br><br>82.5 cm<br>32.5" | <b>2 x</b><br><br>72 cm<br>28.3" | <b>2 x</b><br><br>72 cm<br>28.3" | <b>2 x</b><br><br>120 cm<br>47.2"                     | <b>1 x</b><br><br>75x180 cm<br>29.5" x 70.8" |
| <b>54 x</b><br>                    | <b>42+4 x</b><br>                | <b>4 x</b><br>                   | <b>1 x</b><br><br>31x53x120 cm.<br>12.2x20.9x47.2 in. | <b>2 x 2 x 2 x 1 x</b><br><br>12 x 6 x       |

\*MEDIDAS EN USO USED MEASUREMENTS  
MASSNAHMEN IM EINSATZ MESURES EN EMPLOI MEDIDAS EM USO:



**Simon Rack**  
SINCE 1964 - MANUFACTURER



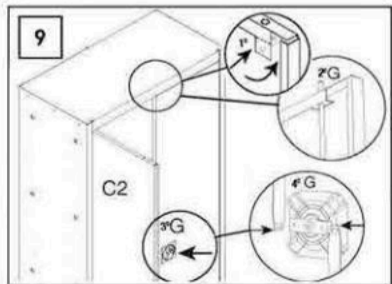
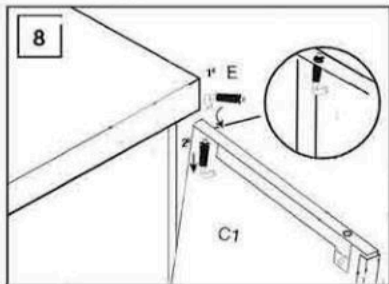
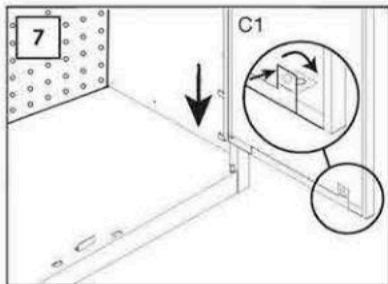
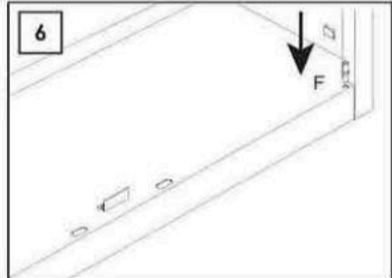
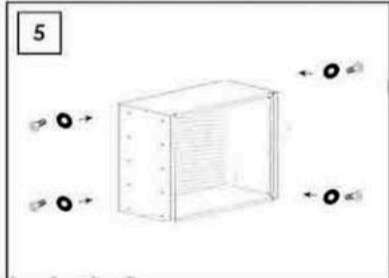
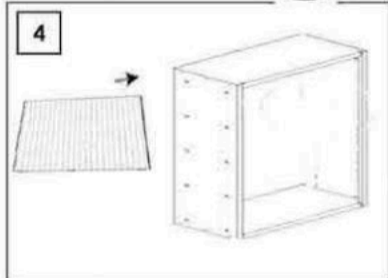
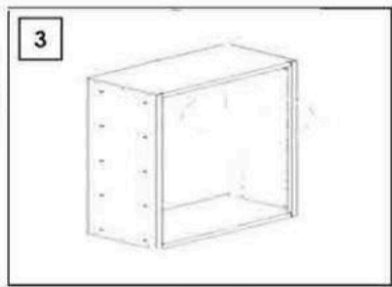
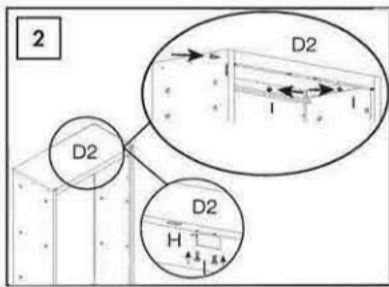
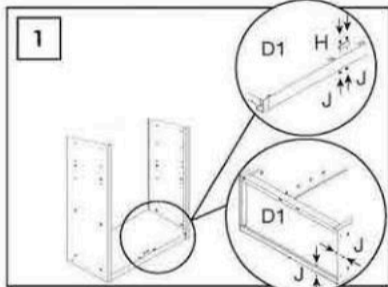
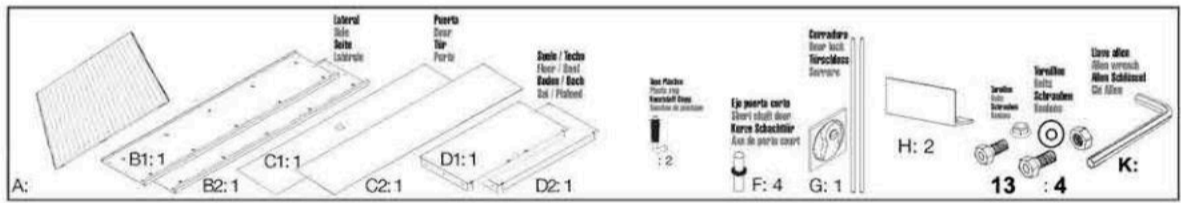
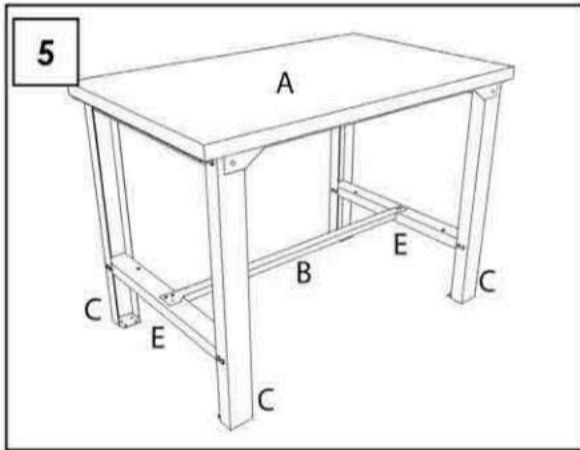
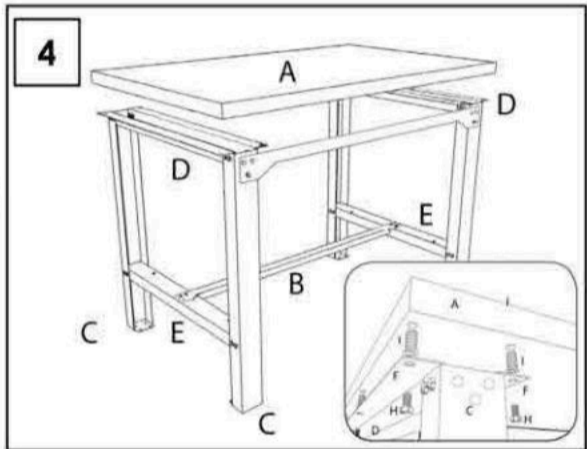
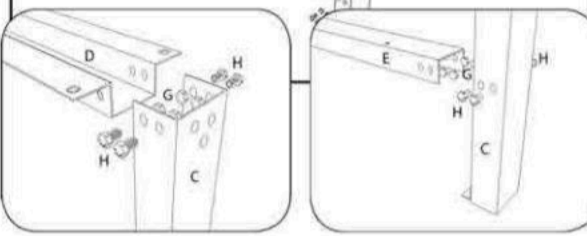
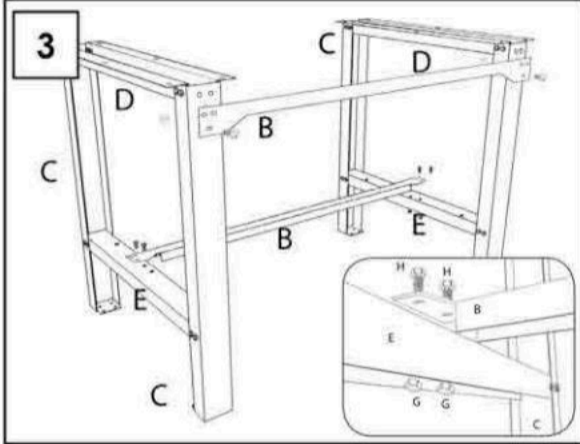
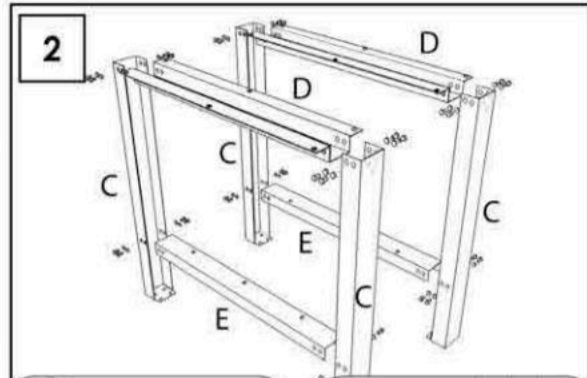
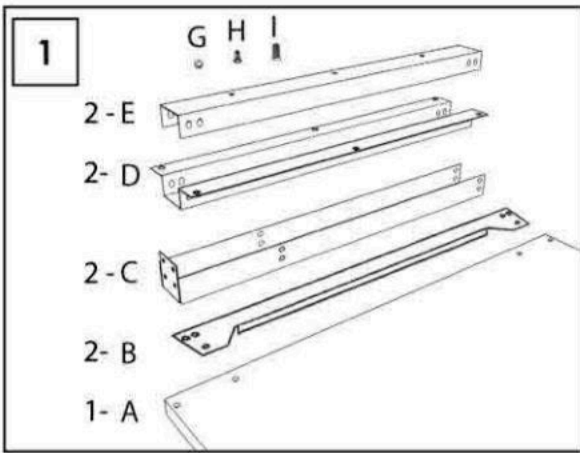
ESTANTERIAS SIMON S.L. B.50.566.463  
PG. ALFAMEN C/ POLIGONO C, Nº3  
ALFAMEN (ZARAGOZA)



[www.simonrack.com](http://www.simonrack.com)



INSTRUCCIONES  
INSTRUCTIONS  
ANLEITUNG  
INSTRUCTIONS



**SIMONCLASSIC**



**SIMONCLICK**



**SIMONOFFICE**



**SIMONTALLER**



**BANCOS DE TRABAJO**



**SIMONHOME**



**TAQUILLAS**



**SIMONTITÁN**



**SIMONINOX**



**SIMONPALET**



**SIMONLEVER**



**ALTILLOS Y PASILLOS ELEVADOS**

