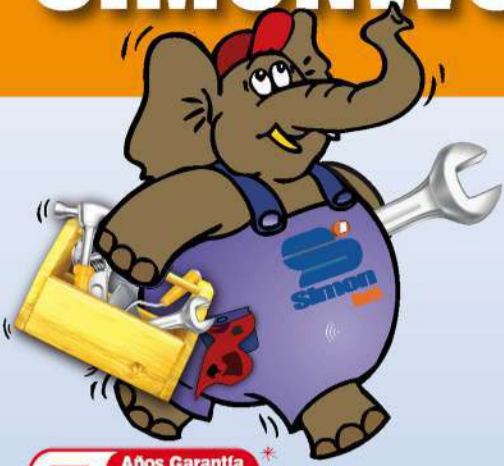


SIMONWORK BT5 BOX 900



84,2 x 91 x 61 cm
33.1" x 35.8" x 24.0"



5 Años Garantía
 Years Guarantee
 Jahre Garantie
 Anos de Garantia
SIMONRACK



- 4 x 84 cm (33.1") L-shaped brackets
- 1 x 60x90 cm (23.6"x35.4") MDF board
- 3 x 90 cm (35.4") long side rails
- 2 x 60 cm (23.6") short side rails
- 12 x 60 cm (23.6") drawer runners
- 12 x 58 cm (22.8") drawer dividers
- 6 x 35 kg (80 lb) 56x77 cm (22.0"x30.3") drawer weights



PRECAUCIÓN
 PRODUCTO PESADO
 ATTENTION
 HEAVY PRODUCT
 ACHTUNG!
 SCHWERES PRODUKT
 ATTENTION
 PRODUCT LOUD



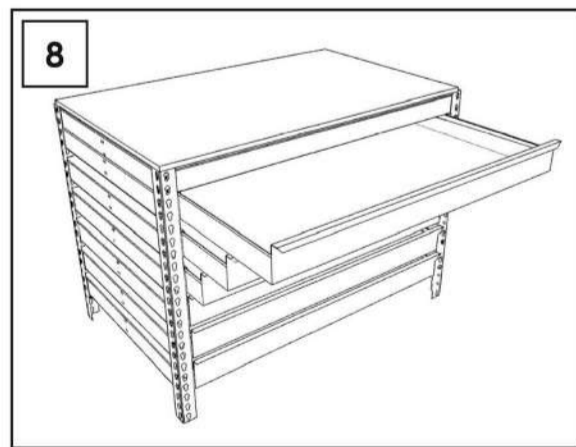
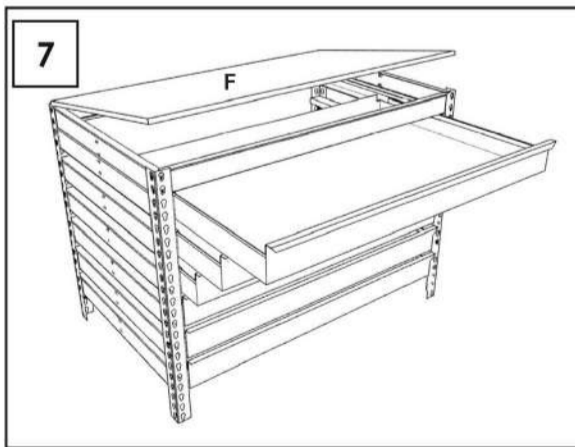
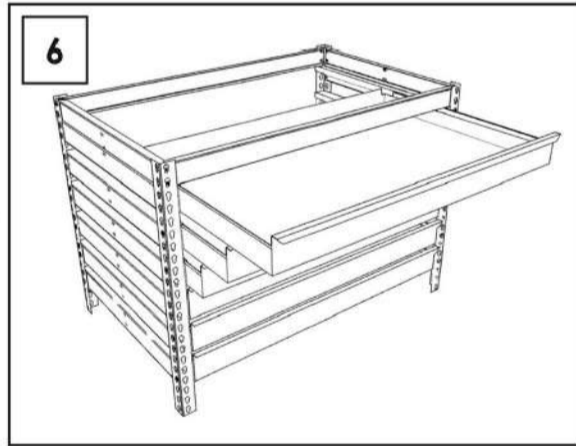
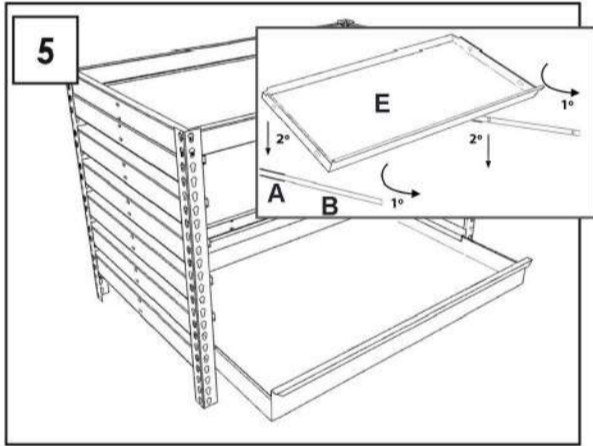
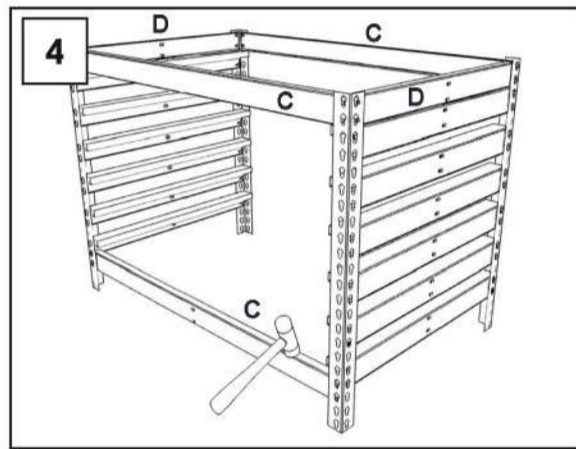
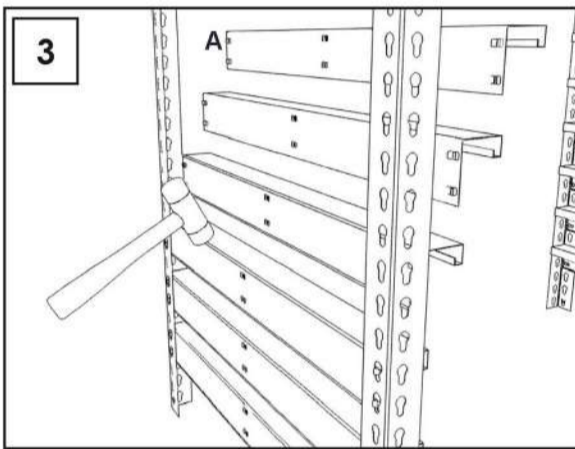
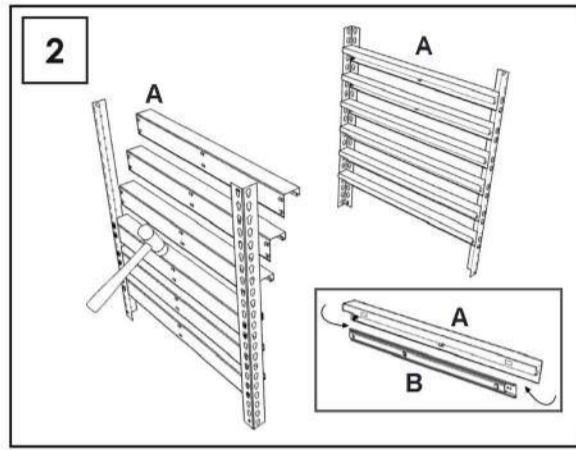
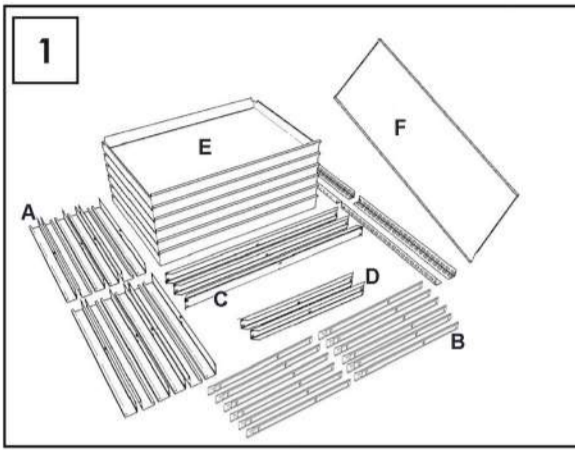
ESTANTERIAS SIMON S.L. B.50.556.463
 PG. ALFAMEN C/ POLIGONO C. Nº3
 ALFAMEN (ZARAGOZA)



www.simonrack.com



INSTRUCCIONES
 INSTRUCTIONS
 ANLEITUNG
 INSTRUCTIONS



SIMONCLASSIC



SIMONCLICK



SIMONTALLER



SIMONAUTO



SIMONWORK



SIMONLOCKER



SIMONOFFICE



SIMONHOME



SIMONGARDEN



SIMONTITÁN

SIMONINOX



SIMONINDUSTRIAL

SIMONPALET

SIMONLEVER



ALTILLOS Y PASILLOS ELEVADOS
PLATFORMS AND MEZZANINES
LAGERBÜHNEN • PLATES-FORMES ET MEZZANINES



* Kg / lb por bandeja con carga uniformemente repartida
Kg / lb per shelf uniformly distributed load
Kg / lb pro fach bei gleichmäßig verteilter last
Kg / lb par plateau avec charge uniformément répartie

www.simonrack.com • www.simonrack.com • www.simonrack.com • www.simonrack.com • www.simonrack.com • www.simonrack.com • www.simonrack.com • www.simonrack.com • www.simonrack.com • www.simonrack.com