

SIMONWORK BT4 BOX 1500



144,5 x 151 x 75 cm
56.9" x 59.4" x 29.5"

5 Años Garantía
 Years Guarantee
 Jahre Garantie
 Ans Garantie
 Anos de Garantia
SIMONRACK



- | | | | | | |
|--|--|--------------------|--|-----------------------------|--|
| 2 x 56 cm (22.0")
2 x 84 cm (33.1")
2 x 144 cm (56.7") | 1 x 75x150 cm (29.5"x59.1") MDF
1 x 40x150 cm (15.7"x59.1") | 3 x 150 cm (59.1") | 4 x 75 cm (29.5")
2 x 30 cm (11.8") | 1 x 150x30 cm (59.1"x11.8") | 8 x |
| 1 x 150 cm (59.1")
1 x 75 cm (29.5") | 2 x 30 cm (11.8") | 1 x 150 cm (59.1") | 2 x 75 cm (29.5") | 2 x 58 cm (22.8") | 1 x 35 kg (80 lb)
56x137 cm (22.0"x53.9") |



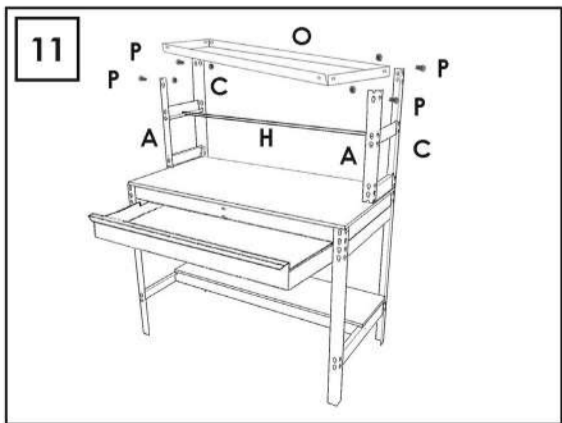
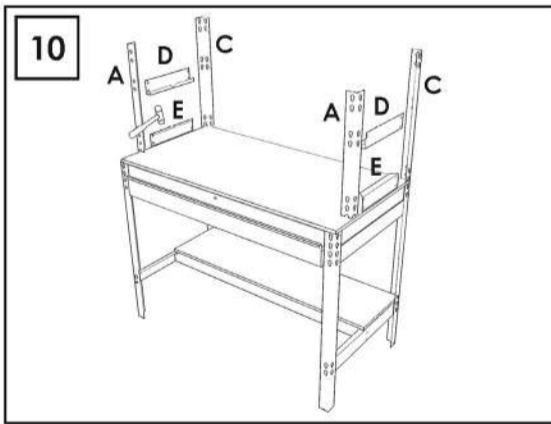
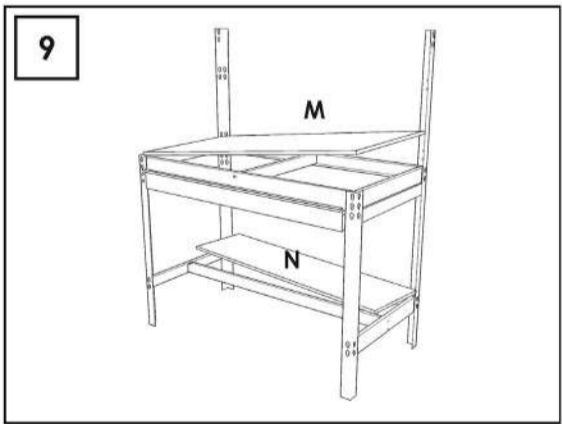
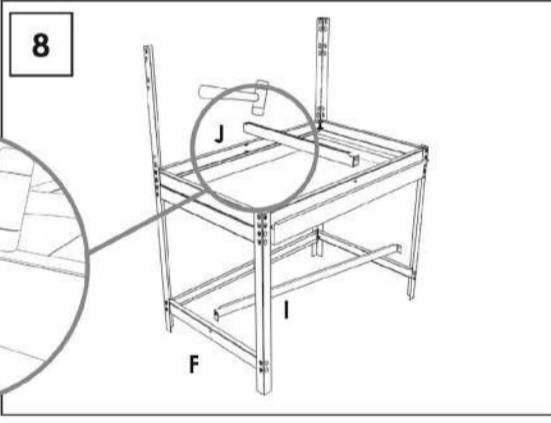
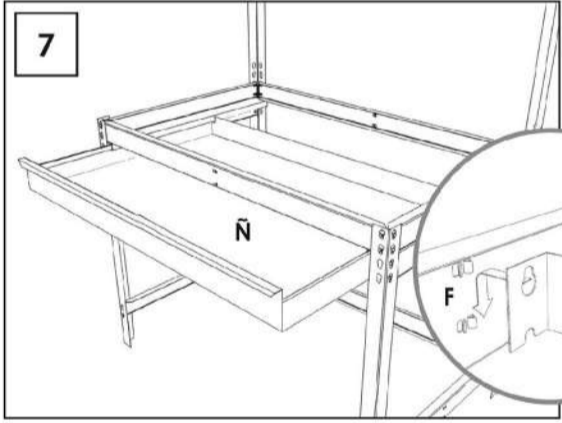
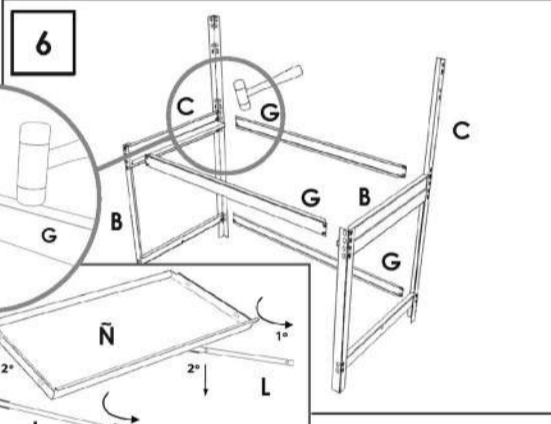
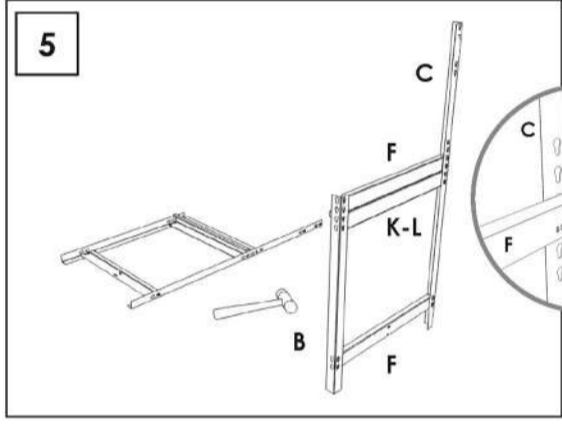
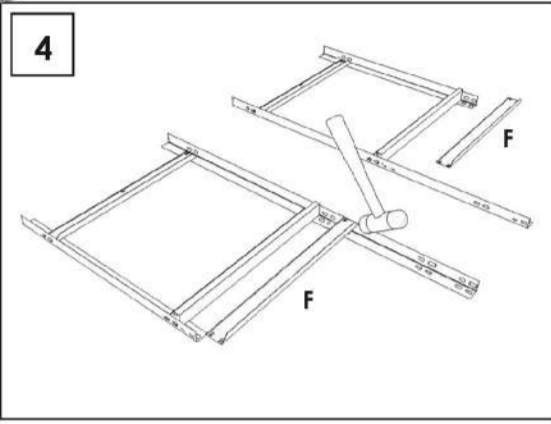
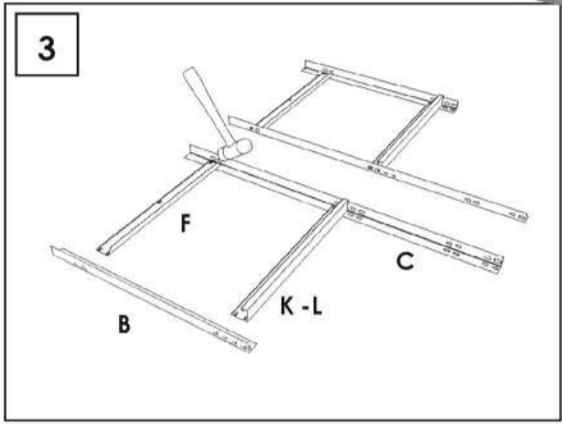
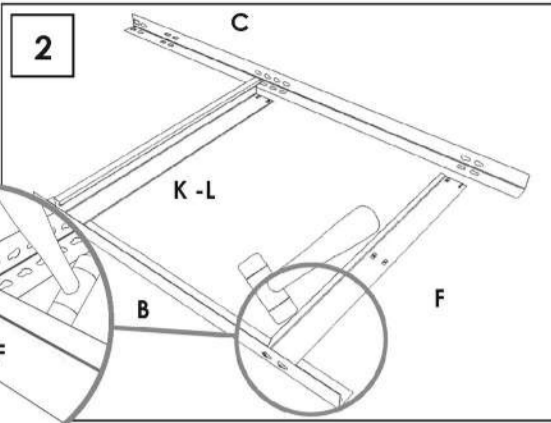
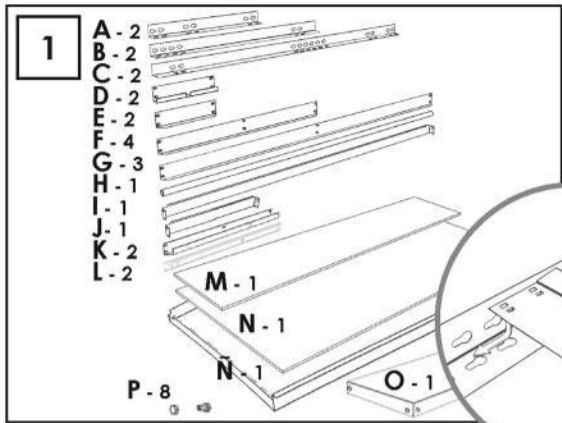
ESTANTERIAS SIMON S.L. B.50.556.463
 PG. ALFAMEN C/ POLIGONO C. Nº3
 ALFAMEN (ZARAGOZA)



www.simonrack.com



INSTRUCCIONES
 INSTRUCTIONS
 ANLEITUNG
 INSTRUCTIONS



SIMONCLASSIC



SIMONCLICK



SIMONTALLER



SIMONAUTO



SIMONWORK



SIMONLOCKER



SIMONOFFICE



SIMONHOME



SIMONGARDEN



SIMONTITÁN



SIMONINOX



SIMONINDUSTRIAL

SIMONPALET



SIMONLEVER



ALTILLOS Y PASILLOS ELEVADOS
PLATFORMS AND MEZZANINES
LAGERBÜHNEN • PLATES-FORMES ET MEZZANINES



* Kg / lb por bandeja con carga uniformemente repartida
Kg / lb per shelf uniformly distributed load
Kg / lb pro fach bei gleichmäßig verteilter Last
Kg / lb par plateau avec charge uniformément répartie

