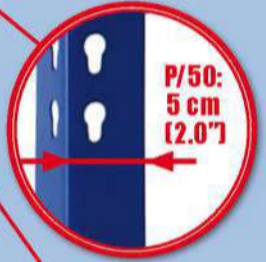


SIMONWORK BT3 BOX 1500



144,5 x 151 x 61 cm
56.9" x 59.4" x 24.0"

5 Años Garantía
 Years Guarantee
 Jahre Garantie
 Ans Garantie
 Anos de Garantia
SIMONRACK



- 1 x 150x60 cm (59.1"x23.6")
- 2 x 84 cm (33.1") / 2 x 144 cm (56.7")
- 1 x MDF 60x150 cm (23.6"x59.1") / 1 x 35x150 cm (13.8"x59.1")
- 4 x 60 cm (23.6")
- 3 x 150 cm (59.1")
- 1 x 150 cm (59.1") / 1 x 60 cm (23.6")
- 2 x 9,5x19 cm (3.7"x7.5")
- 1 x 150x20 cm (59.1"x7.9")
- 6 x (Nut/Bolt)
- 2 x 60 cm (23.6")
- 2 x 58 cm (22.8")
- 1 x 35 kg (80 lb) / 56x137 cm (22.0"x53.9")



*MEDIDAS EN USO / USED MEASUREMENTS
 MASSSTÄHNE IM EINSATZ / MEASURES IN EMPLOY / MEDIDAS EN USO:
 1440 x 1510 x 610 mm (56.6" x 59.4" x 24")



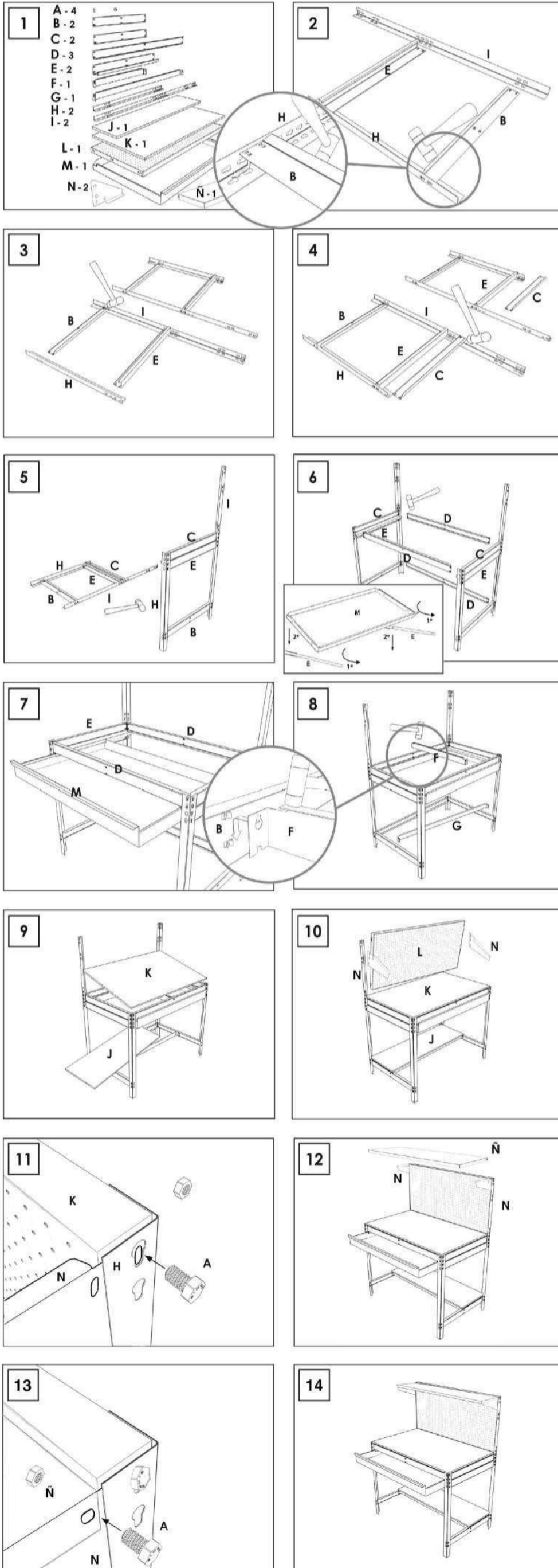
ESTANTERIAS SIMON S.L. B.50.556.463
 PG. ALFAMEN C/ POLIGONO C. Nº3
 ALFAMEN (ZARAGOZA)



www.simonrack.com



INSTRUCCIONES
 INSTRUCTIONS
 ANLEITUNG
 INSTRUCTIONS



SIMONCLASSIC



SIMONCLICK



SIMONTALLER



SIMONAUTO



SIMONWORK



SIMONLOCKER



SIMONOFFICE



SIMONHOME



SIMONGARDEN



SIMONTITÁN

SIMONINOX



SIMONINDUSTRIAL

SIMONPALET

SIMONLEVER



* Kg / lb por bandeja con carga uniformemente repartida
Kg / lb per shelf uniformly distributed load
Kg / lb pro fach bei gleichmäßig verteilter last
Kg / lb par plateau avec charge uniformément répartie

