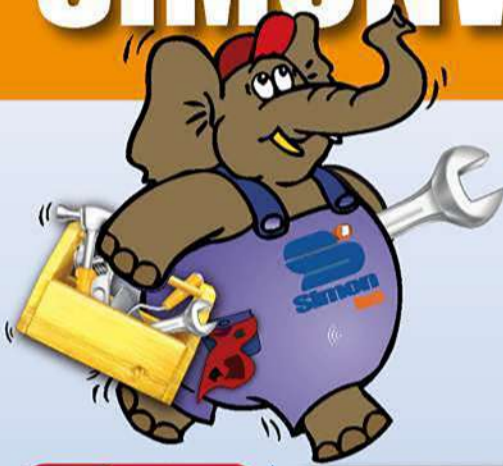


# SIMONWORK BT2 1200

## CABINET



**144,5 x 121 x 61 cm**  
**56.9" x 47.6" x 24.0"**



**5** Años Garantía  
 Years Guarantee  
 Jahre Garantie  
 Ans Garantie  
 Anos de Garantia  
**SIMONRACK**



- |  |   |                              |   |
|--|---|------------------------------|---|
| <b>1 x</b><br>120x60 cm<br>47.2"x23.6"     | <b>2 x</b><br><b>2 x</b><br>84 cm<br>33.1"<br>144 cm<br>56.7" | <b>4 x</b><br>60 cm<br>23.6" | <b>3 x</b><br>120 cm<br>47.2"   |
| <b>1 x</b> MDF<br>60x120 cm<br>23.6"x47.2" | <b>1 x</b><br><b>1 x</b><br>120 cm<br>47.2"<br>60 cm<br>23.6" | <b>4 x</b>                   | <b>1 x</b><br>31x53x120 cm<br>12.2"x20.9"x47.2"                       |
|  |   |                              | <b>2 x</b> <b>2 x</b> <b>2 x</b> <b>1 x</b><br><b>12 x</b> <b>6 x</b> |



ESTANTERIAS SIMON S.L. B.50.556.463  
 PG. ALFAMEN C/ POLIGONO C. Nº3  
 ALFAMEN (ZARAGOZA)



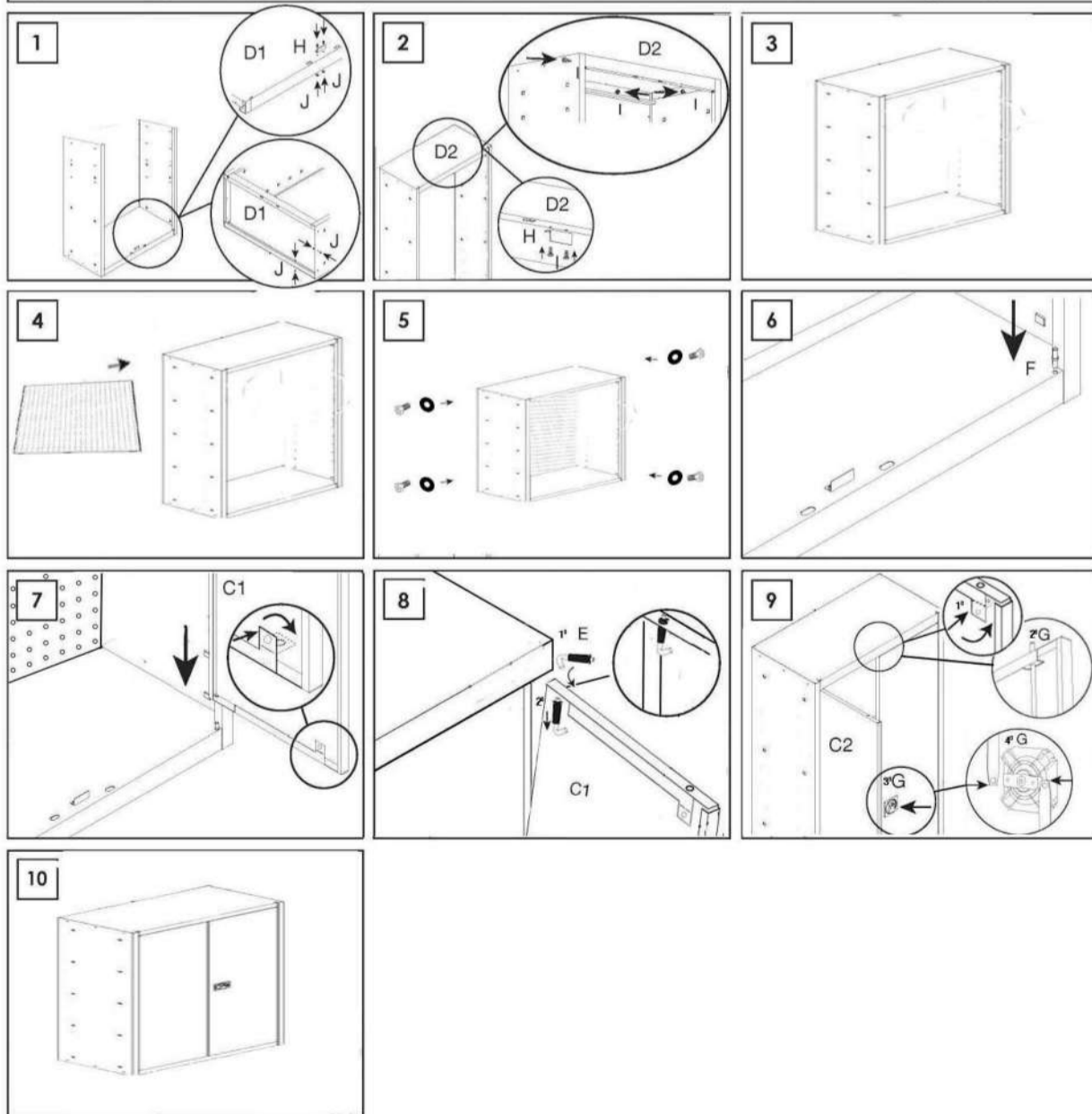
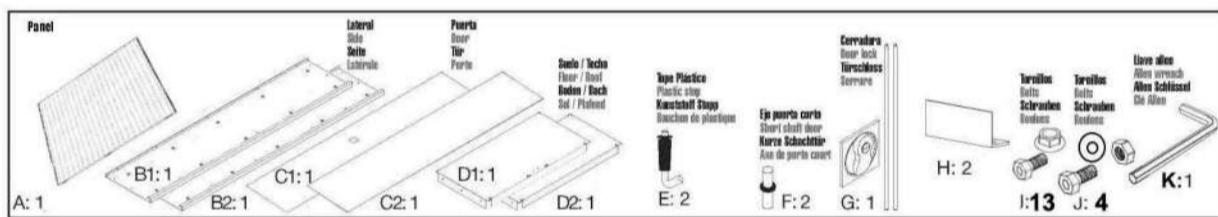
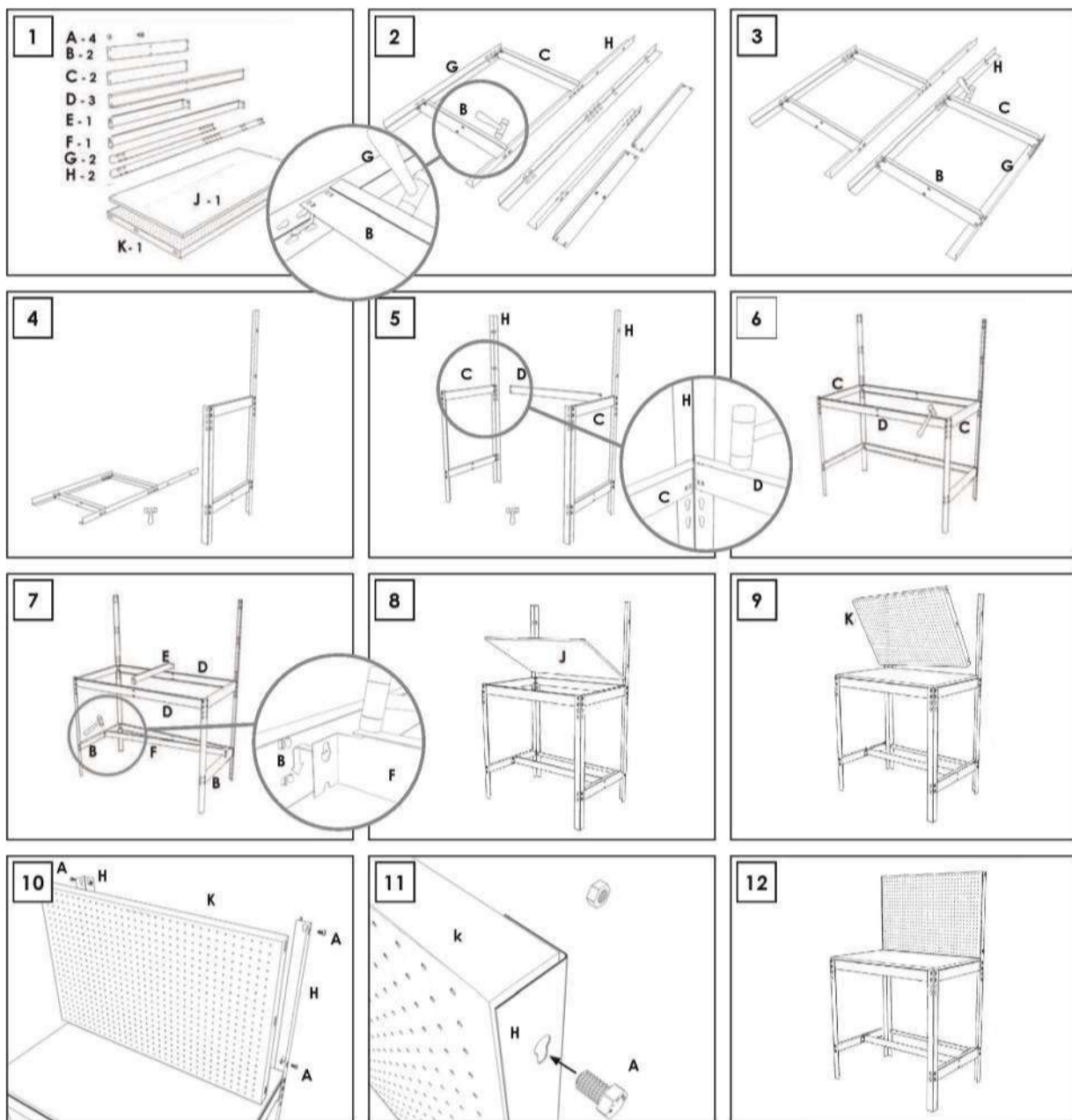
**Simon Rack**  
 SINCE 1964 - MANUFACTURER



[www.simonrack.com](http://www.simonrack.com)



INSTRUCCIONES  
 INSTRUCTIONS  
 ANLEITUNG  
 INSTRUCTIONS



**SIMONCLASSIC**  
150 kg / 330 lb

**SIMONCLICK**  
400 kg / 900 lb

**SIMONTALLER**  
700 kg / 1550 lb

**SIMONAUTO**  
300 kg / 660 lb

**SIMONWORK**  
800 kg / 1800 lb

**SIMONLOCKER**

**SIMONOFFICE**  
275 kg / 600 lb

**SIMONHOME**  
150 kg / 330 lb

**SIMONGARDEN**  
600 kg / 1350 lb

**SIMONTITÁN**      **SIMONINOX**

**SIMONINDUSTRIAL**  
SIMONPALET      SIMONLEVER  
4500 kg / 9950 lb

ALTILLOS Y PASILLOS ELEVADOS  
PLATFORMS AND MEZZANINES  
LAGERBÜHNEN • PLATES-FORMES ET MEZZANINES

\* Kg / lb por bandeja con carga uniformemente repartida  
Kg / lb per shelf uniformly distributed load  
Kg / lb pro fach bei gleichmäßig verteilter last  
Kg / lb par plateau avec charge uniformément répartie