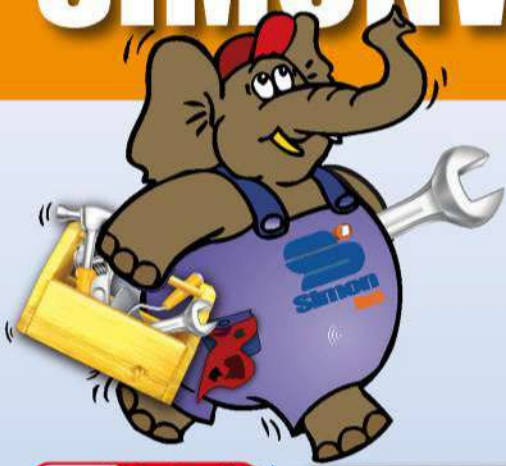


# SIMONWORK BT2 900 CABINET



**144,5 x 91 x 61 cm**  
**56.9" x 35.8" x 24.0"**

**5** Años Garantía  
 Years Guarantee  
 Jahre Garantie  
 Ans Garantie  
 Anos de Garantía  
**SIMONRACK**



- 1 x 90x60 cm (35.4"x23.6")
- 2 x 84 cm (33.1")
- 2 x 144 cm (56.7")
- 3 x 90 cm (35.4")
- 4 x 60 cm (23.6")
- 1 x 60x90 cm (23.6"x35.4")
- 1 x 90 cm (35.4")
- 4 x [Hardware]
- 1 x 31x53x90 cm (12.2"x20.9"x35.4")
- 2 x [Hardware]
- 2 x [Hardware]
- 2 x / 1 x [Hardware]
- 12 x [Hardware]
- 6 x [Hardware]



ESTANTERIAS SIMON S.L. B.50.556.463  
 PG. ALFAMEN C/ POLIGONO C. Nº3  
 ALFAMEN (ZARAGOZA)



**Simon Rack**  
 SINCE 1964 - MANUFACTURER

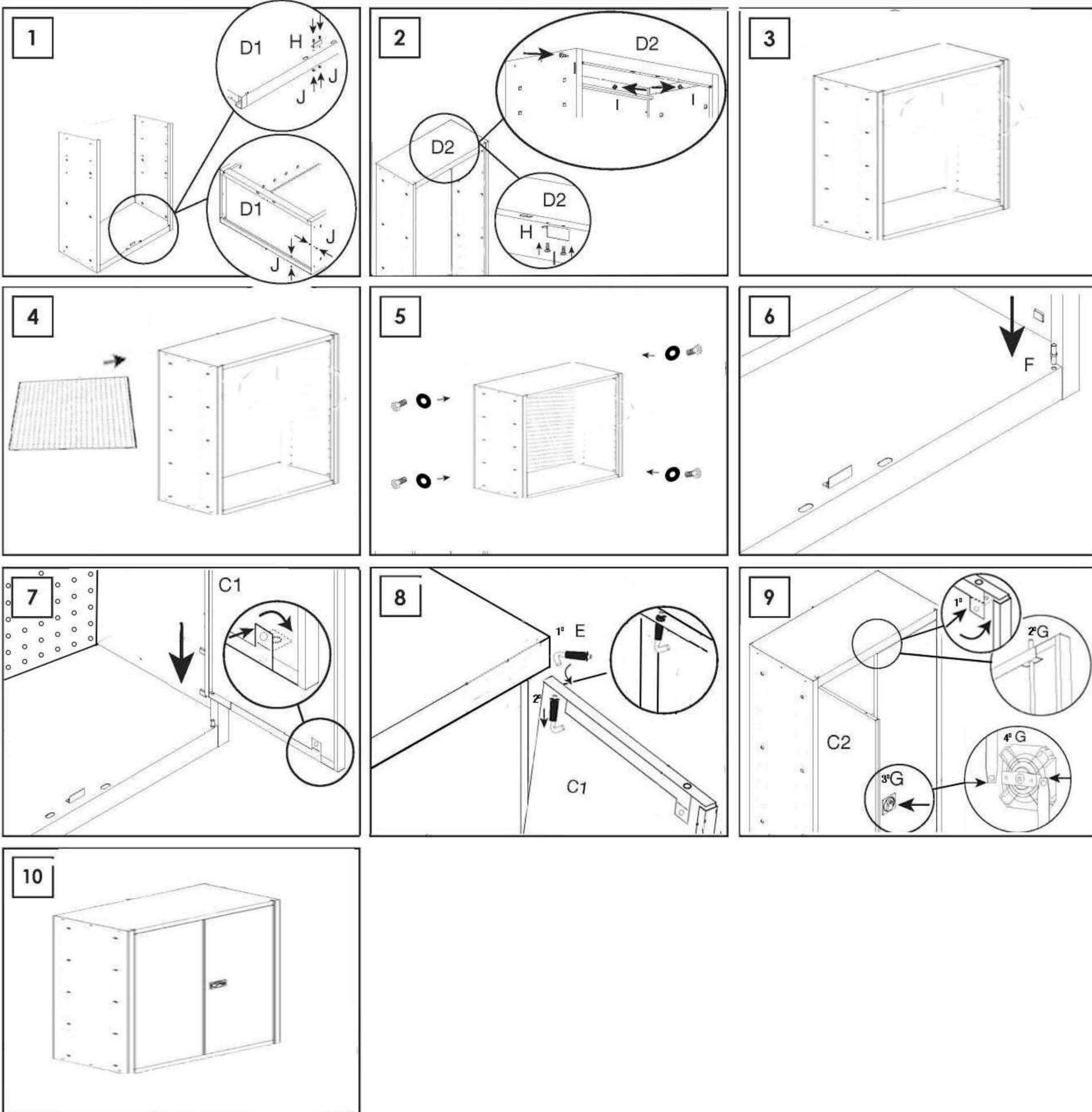
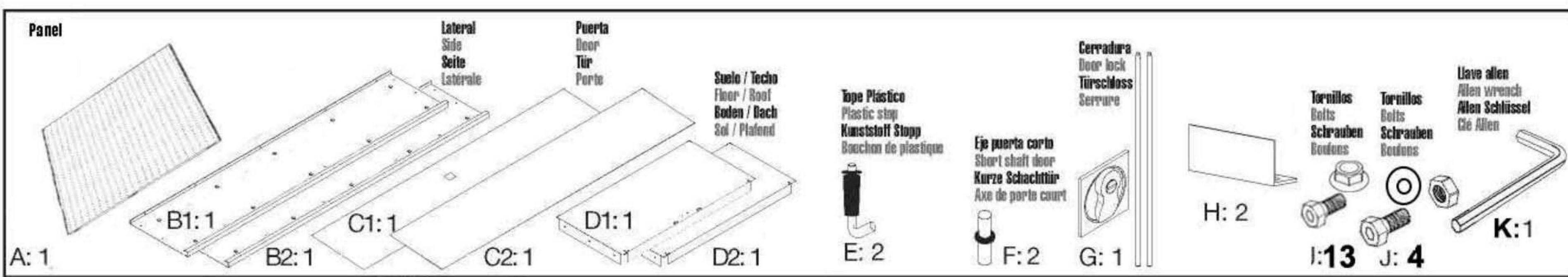
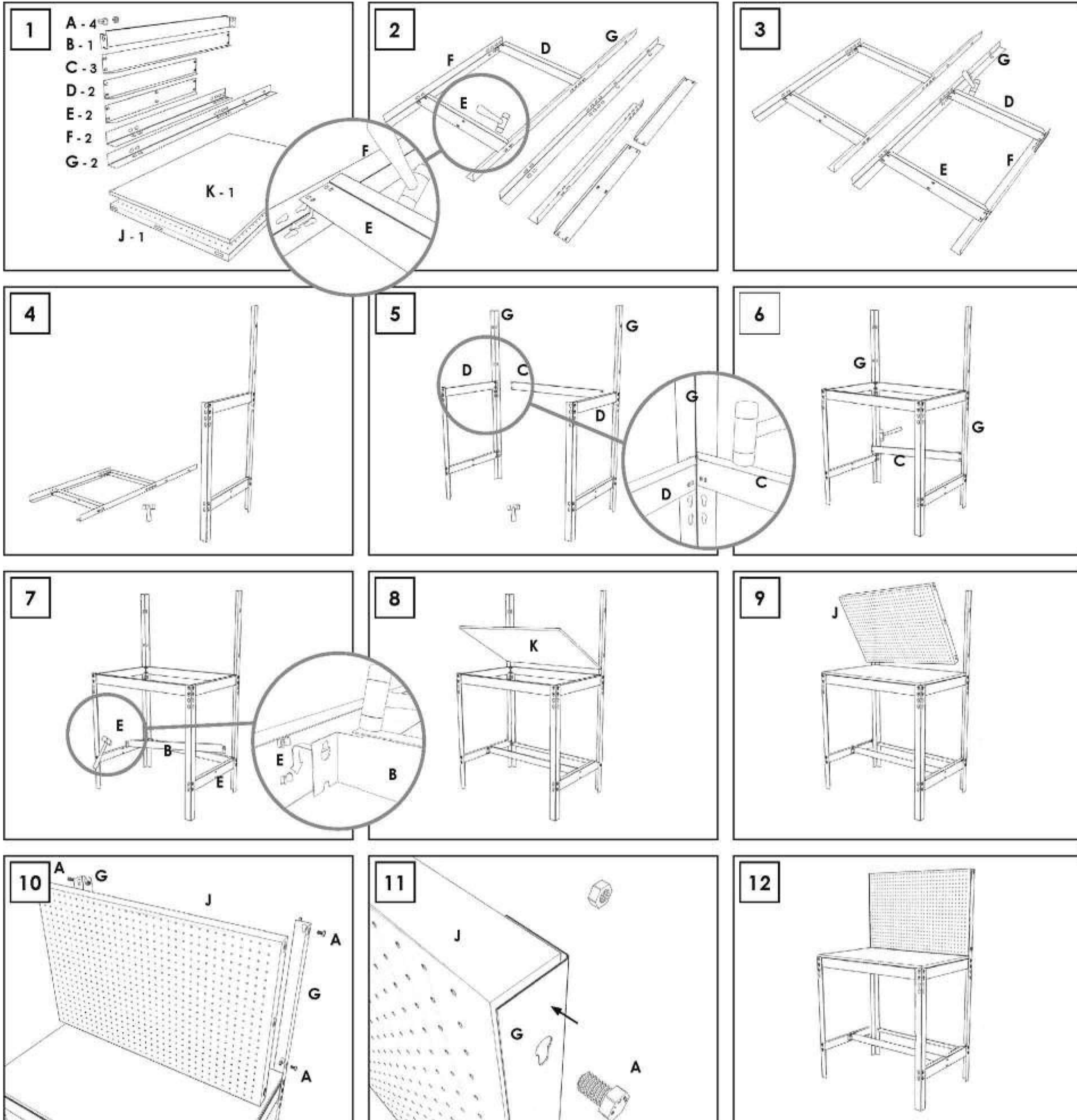


[www.simonrack.com](http://www.simonrack.com)



INSTRUCCIONES  
 INSTRUCTIONS  
 ANLEITUNG  
 INSTRUCTIONS





### SIMONCLASSIC



### SIMONCLICK



### SIMONTALLER



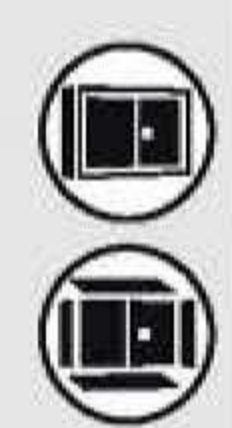
### SIMONAUTO



### SIMONWORK



### SIMONLOCKER



### SIMONOFFICE



### SIMONHOME



### SIMONGARDEN



### SIMONTITAN

### SIMONINOX



### SIMONINDUSTRIAL

#### SIMONPALET

#### SIMONLEVER



ALTILLOS Y PASILLOS ELEVADOS  
PLATFORMS AND MEZZANINES  
LAGERBÜHNEN • PLATES-FORMES ET MEZZANINES

