

SIMONWORK BT2 BOX 1500



144,5 x 151 x 61 cm
56.9" x 59.4" x 24.0"



5 Años Garantía
 Years Guarantee
 Jahre Garantie
 Ans Garantie
 Anos de Garantía
SIMONRACK



- | | | | | |
|---|---|-----------------------|------------------------|---|
| 1 x 150x60 cm 59.1"x23.6" | 2 x 2 x 84 cm 33.1" 144 cm 56.7" | 4 x 60 cm 23.6" | 3 x 150 cm 59.1" | 4 x |
| 1 x MDF 60x150 cm 23.6"x59.1" 1 x 35x150 cm 13.8"x59.1" | 1 x 150 cm 59.1" 60 cm 23.6" | 2 x 60 cm 23.6" | 2 x 58 cm 22.8" | 1 x 35 kg (80 lb) 56x137 cm 22.0"x53.9" |



*MEDIDAS EN USO USED MEASUREMENTS
 MASSNAHMEN IM ENSATZ MESURES EN EMPLOI MEDIDAS EM USO:
 1440 x 1510 x 610 mm (56.6" x 59.4" x 24")



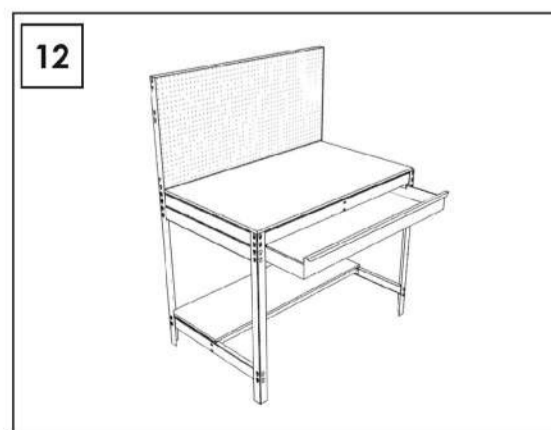
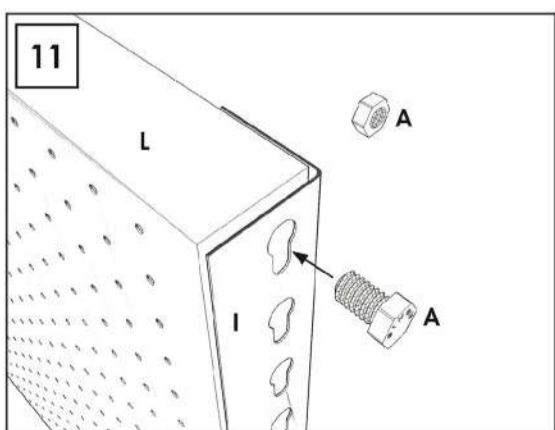
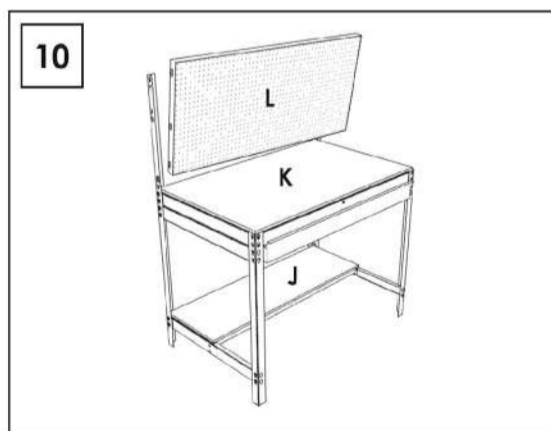
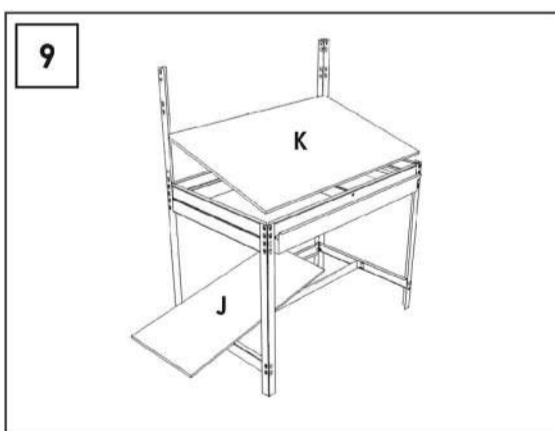
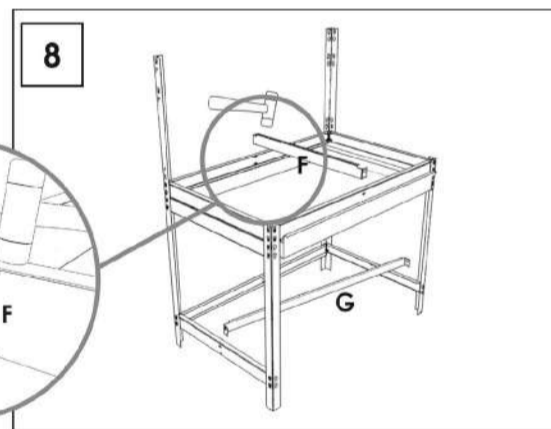
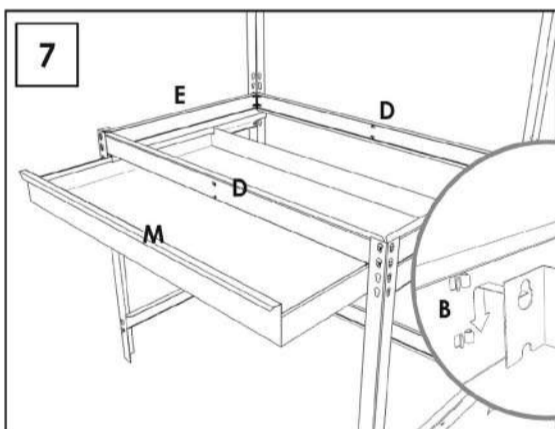
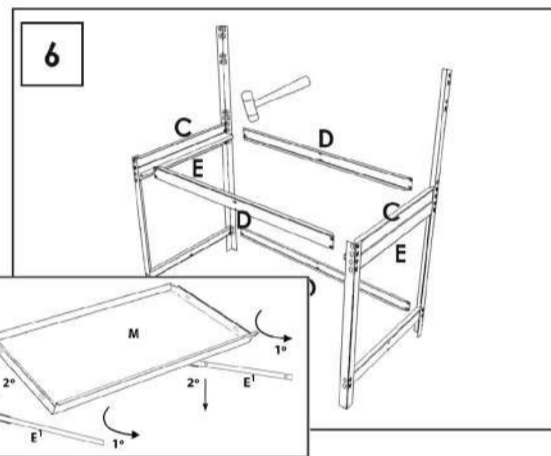
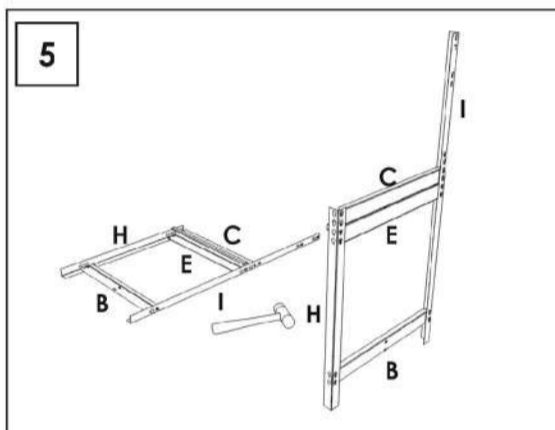
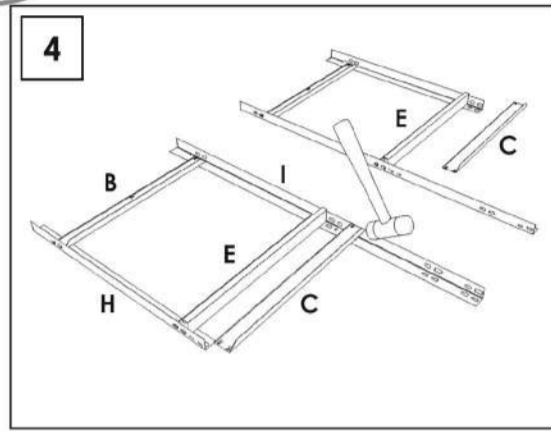
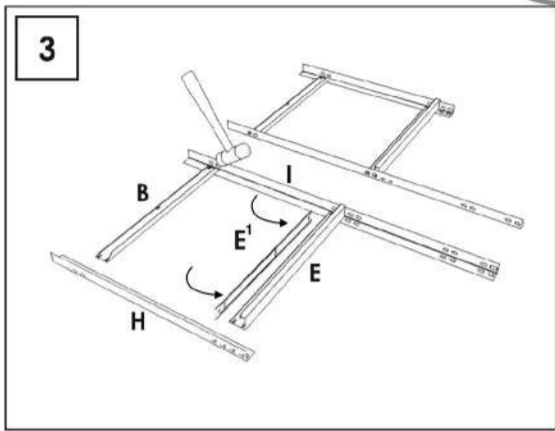
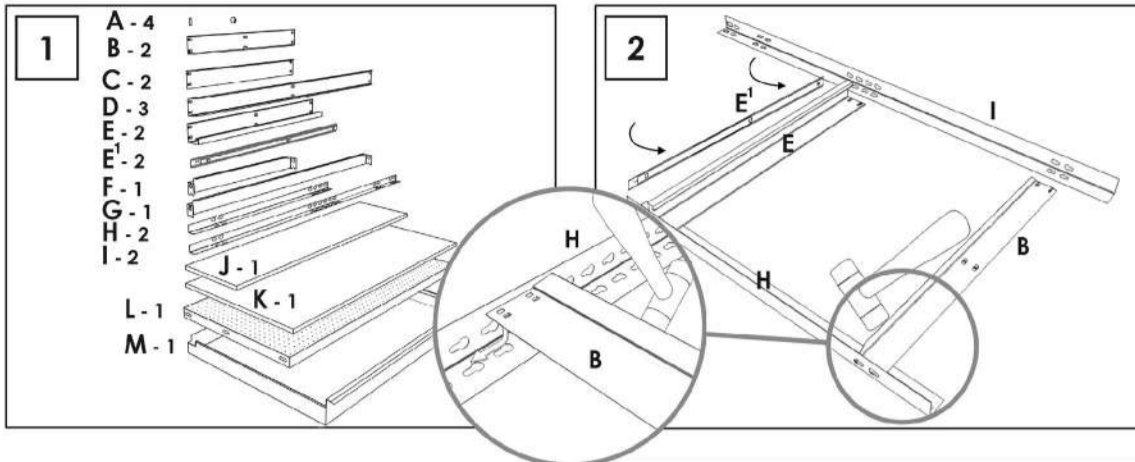
ESTANTERIAS SIMON S.L. B.50.556.463
 PG. ALFAMEN C/ POLIGONO C. Nº3
 ALFAMEN (ZARAGOZA)



www.simonrack.com



INSTRUCCIONES
 INSTRUCTIONS
 ANLEITUNG
 INSTRUCTIONS



SIMONCLASSIC



SIMONCLICK



SIMONTALLER



SIMONAUTO



SIMONWORK



SIMONLOCKER



SIMONOFFICE



SIMONHOME



SIMONGARDEN



SIMONTITÁN



SIMONINOX



SIMONINDUSTRIAL



ALTILLOS Y PASILLOS ELEVADOS
PLATFORMS AND MEZZANINES
LAGERBUHNIEN • PLATES-FORMES ET MEZZANINES



* Kg / lb por bandeja con carga uniformemente repartida
Kg / lb per shelf uniformly distributed load
Kg / lb pro fach bei gleichmäßig verteilter last
Kg / lb par plateau avec charge uniformément répartie

