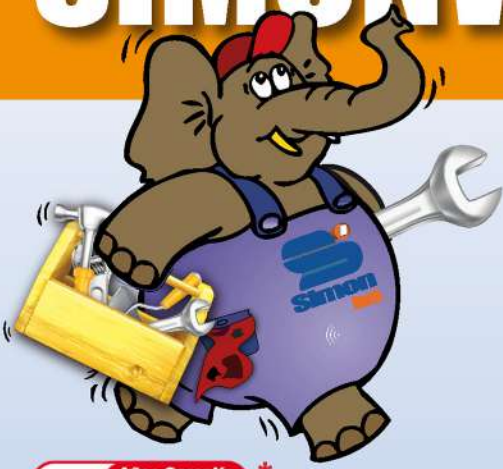


SIMONWORK BT2 900



144,5 x 91 x 61 cm
56.9" x 35.8" x 24.0"



5 Años Garantía
 Years Guarantee
 Jahre Garantie
 Ans de Garantie
SIMONRACK



- 1 x 90x60 cm (35.4"x23.6")
- 2 x 84 cm (33.1")
2 x 144 cm (56.7")
- 1 x MDF 60x90 cm (23.6"x35.4")
1 x 35x90 cm (13.8"x35.4")
- 3 x 90 cm (35.4")
4 x 60 cm (23.6")
- 1 x 90 cm (35.4")
- 4 x



PRECAUCIÓN
 PRODUCTO PESADO
 ATTENTION
 HEAVY PRODUCT
 ACHTUNG!
 SCHWERES PRODUKT
 ATTENTION
 PRODUCT LOUD



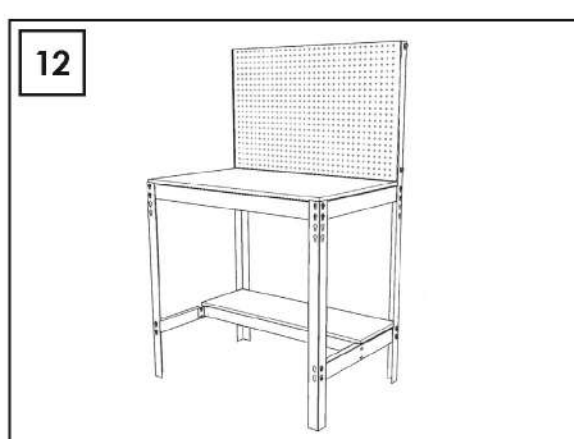
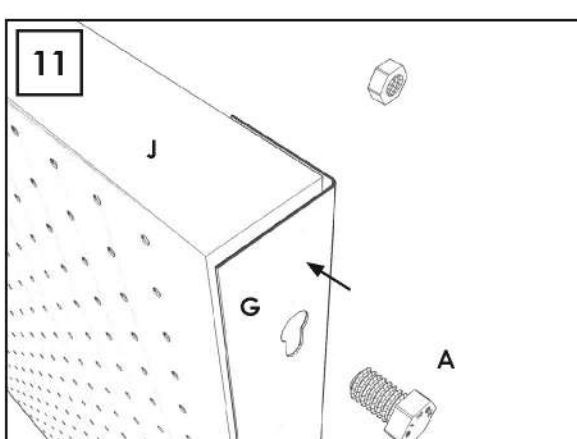
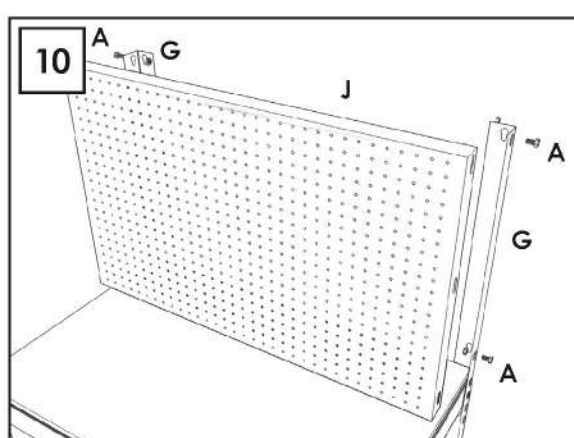
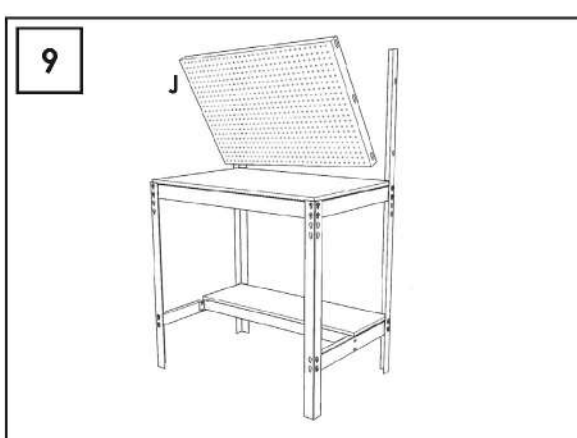
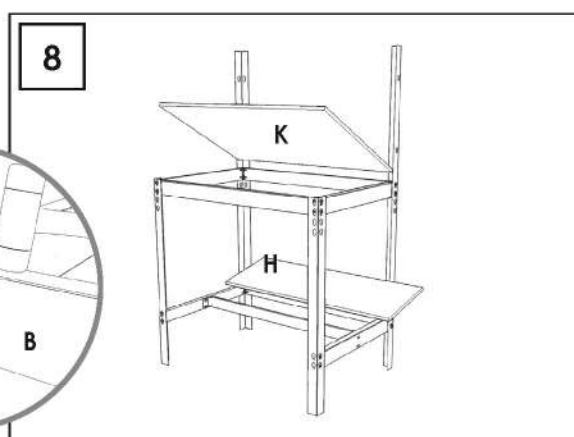
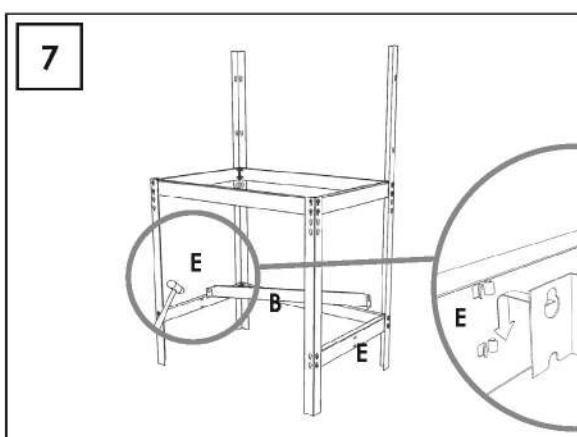
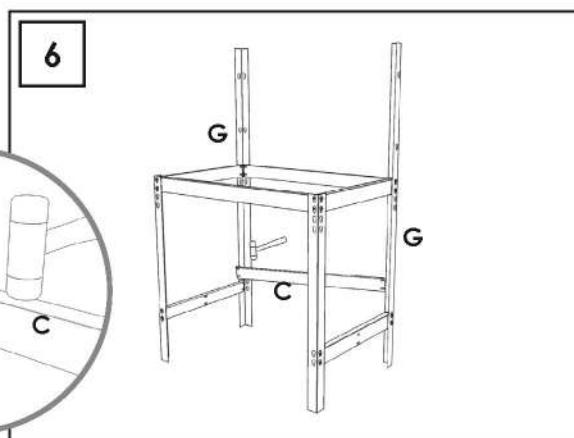
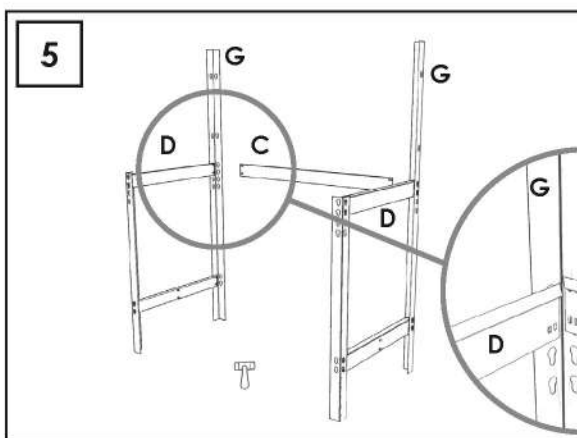
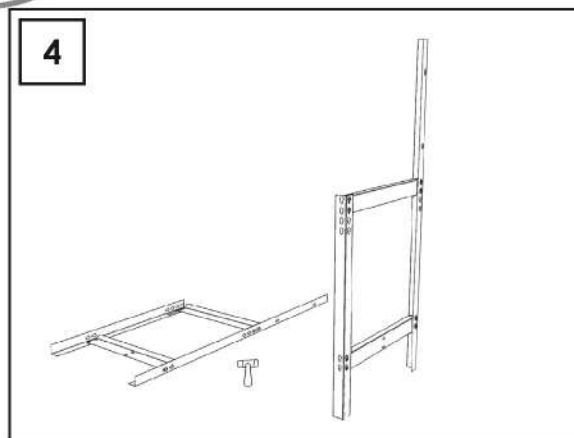
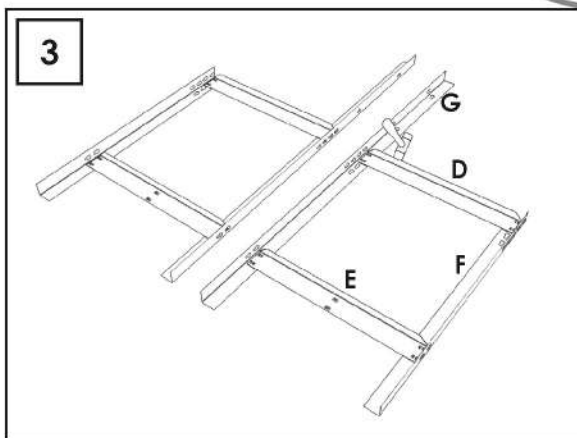
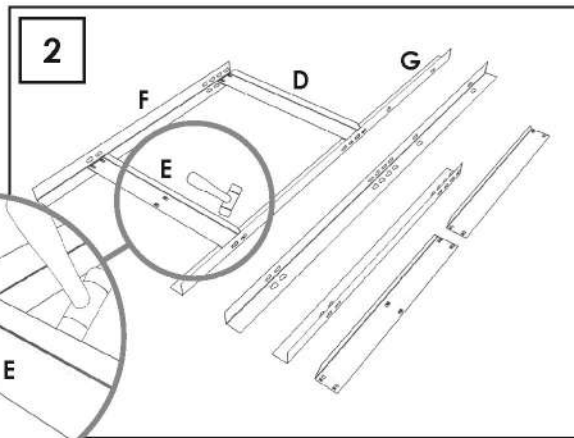
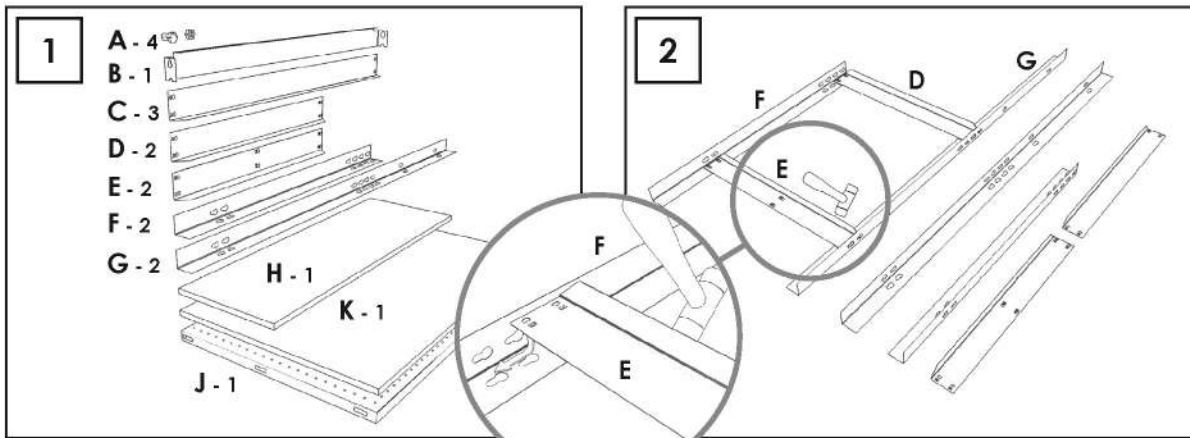
ESTANTERIAS SIMON S.L. B.50.556.463
 PG. ALFAMEN C/ POLIGONO C. Nº3
 ALFAMEN (ZARAGOZA)



www.simonrack.com



INSTRUCCIONES
 INSTRUCTIONS
 ANLEITUNG
 INSTRUCTIONS



SIMONCLASSIC

 150 kg / 330 lb

SIMONCLICK

 400 kg / 900 lb

SIMONTALLER

 700 kg / 1550 lb

SIMONAUTO

 300 kg / 660 lb

SIMONWORK

 800 kg / 1800 lb

SIMONLOCKER

 150 kg / 330 lb

SIMONOFFICE

 275 kg / 600 lb

SIMONHOME

 150 kg / 330 lb

SIMONGARDEN

 600 kg / 1350 lb

SIMONTITÁN **SIMONINOX**

SIMONINDUSTRIAL
SIMONPALET **SIMONLEVER**
 4500 kg / 9950 lb

ALTILLOS Y PASILLOS ELEVADOS
 PLATFORMS AND MEZZANINES
 LAGERBÜHNEN • PLATES-FORMES ET MEZZANINES



www.simonrack.com • www.instructionsrack.com • bt2

* Kg / lb per bandeja con carga uniformemente repartida
 Kg / lb per shelf uniformly distributed load
 Kg / lb pro fach bei gleichmäßig verteilter last
 Kg / lb par plateau avec charge uniformément répartie