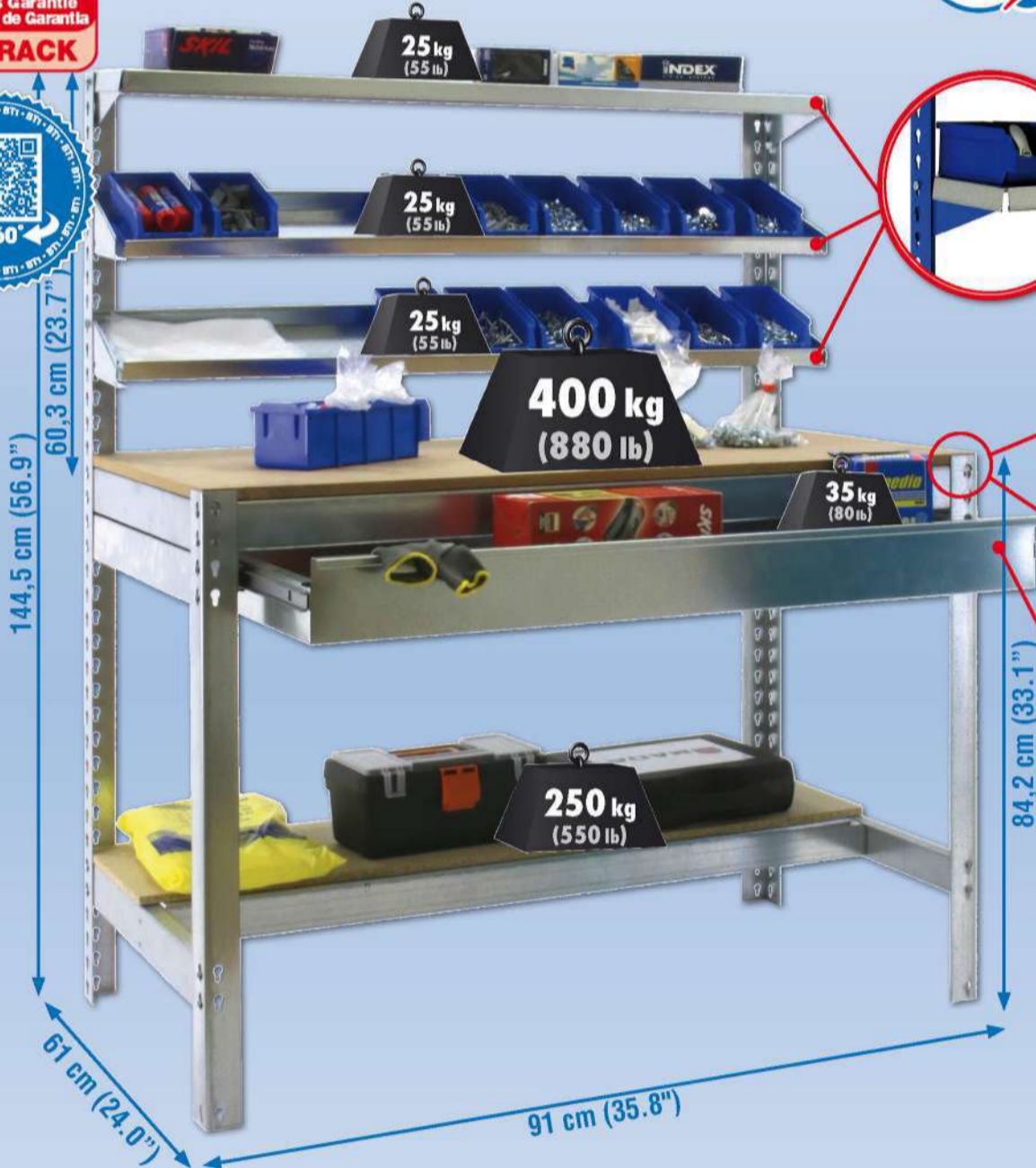


SIMONWORK BT1 BOX 900



144,5 x 91 x 61 cm
56.9" x 35.8" x 24.0"

5 Años Garantía
 Years Guarantee
 Jahre Garantie
 Ans Garantie
 Anos de Garantía
SIMONRACK



- 2 x 144 cm (56.7")
- 2 x 84 cm (33.1")
- 1 x 60x90 cm (23.6"x35.4")
- 1 x 35x90 cm (13.8"x35.4")
- 3 x 90 cm (35.4")
- 4 x 60 cm (23.6")
- 6 x 9,5x19 cm (3.7"x7.5")
- 1 x 90 cm (35.4")
- 3 x 90x20 cm (35.4"x7.9")
- 6 x 60 cm (23.6")
- 2 x 60 cm (23.6")
- 2 x 60 cm (22.8")
- 10 x 56x77 cm (22.0"x30.3")
- 1 x 35 kg (80 lb)



Simon Rack
 SINCE 1964 - MANUFACTURER



ESTANTERIAS SIMON S.L. B.50.556.463
 PG. ALFAMEN C/ POLIGONO C. Nº3
 ALFAMEN (ZARAGOZA)



www.simonrack.com

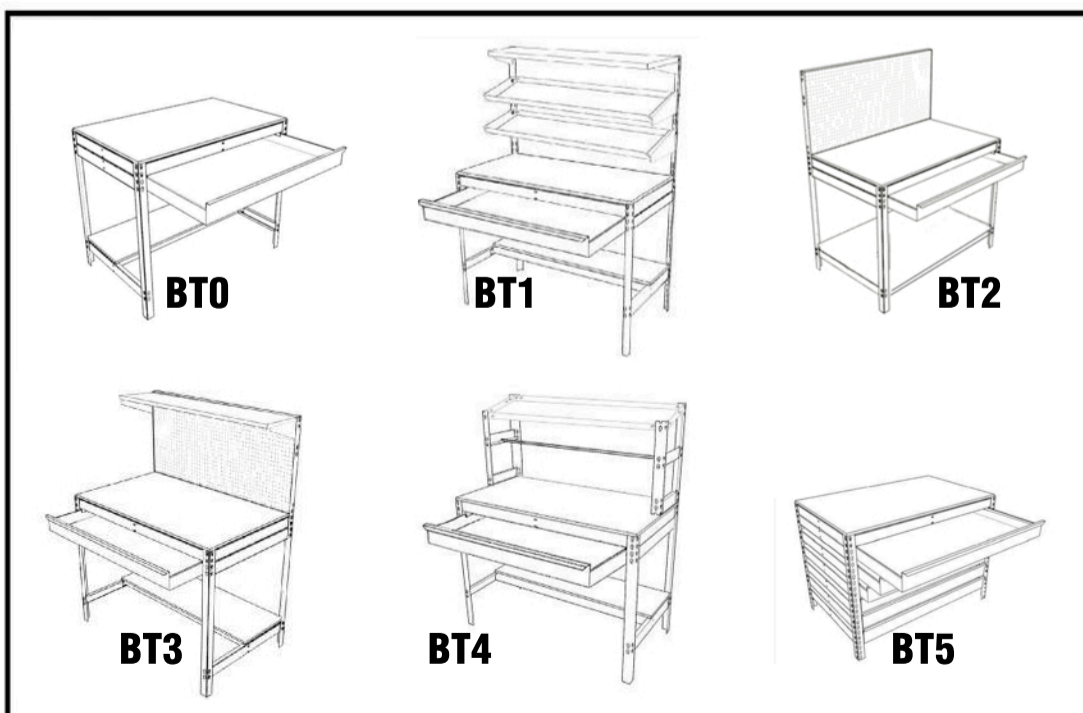
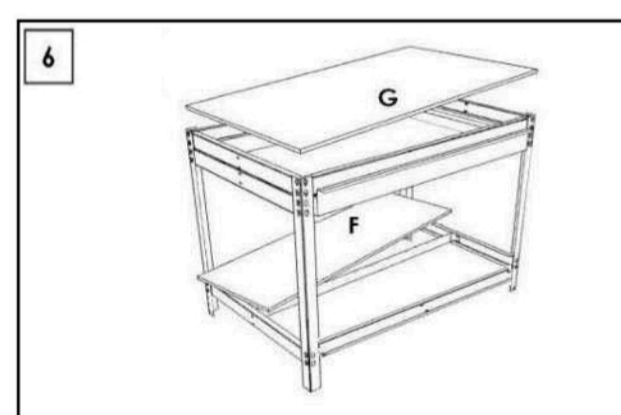
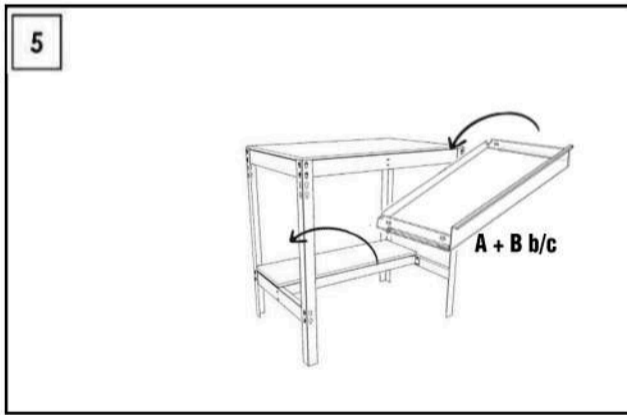
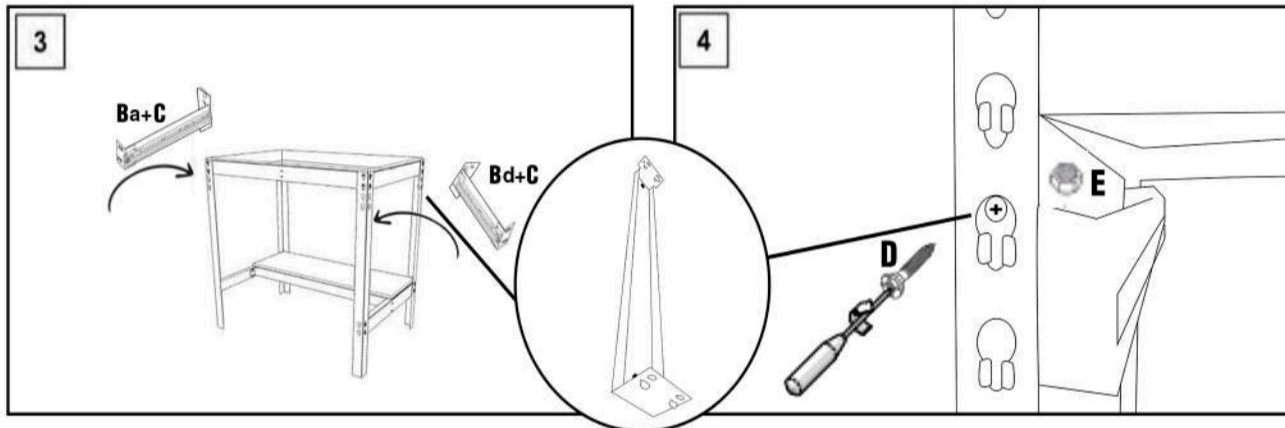
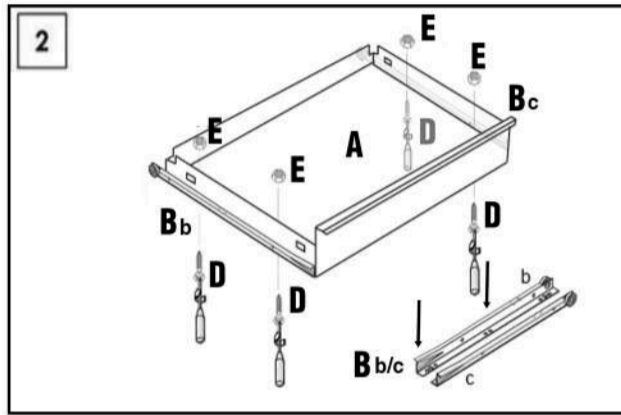
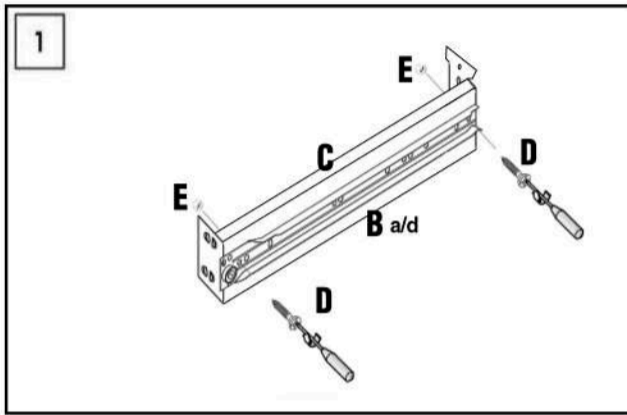
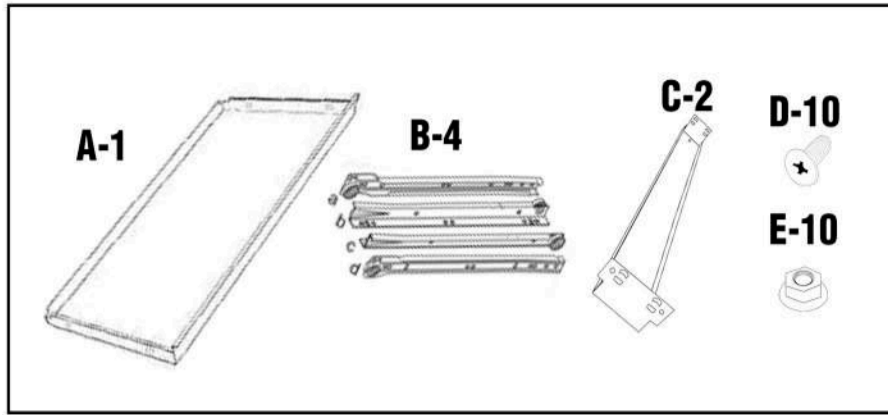


INSTRUCCIONES
 INSTRUCTIONS
 ANLEITUNG
 INSTRUCTIONS



Simon Rack
SINCE 1964 - MANUFACTURER

BOX BT0-BT5



SIMONCLASSIC
150 kg / 330 lb

SIMONCLICK
400 kg / 900 lb

SIMONTALLER
700 kg / 1550 lb

SIMONAUTO
300 kg / 660 lb

SIMONWORK
800 kg / 1800 lb

SIMONLOCKER

SIMONOFFICE
275 kg / 600 lb

SIMONHOME
150 kg / 330 lb

SIMONGARDEN
600 kg / 1350 lb

SIMONTITÁN **SIMONINOX**

SIMONINDUSTRIAL
SIMONPALET: 4500 kg / 9950 lb
SIMONLEVER

ALTILLOS Y PASILLOS ELEVADOS
PLATFORMS AND MEZZANINES
LAGERBÜHNEN • PLATES-FORMES ET MEZZANINES

* Kg / lb per bandeja con carga uniformemente repartida
Kg / lb per shelf uniformly distributed load
Kg / lb pro fach bei gleichmäßig verteilter last
Kg / lb par plateau avec charge uniformément répartie

www.simonrack.com • www.instructionsrack.com

