

# SIMONWORK BTO BOX 1200



**84,2 x 121 x 76 cm**  
**33.1" x 47.6" x 29.9"**



**5** Años Garantía  
 Years Guarantee  
 Jahre Garantie  
 Ans Garantie  
**SIMONRACK**



GUÍA TELESCÓPICA  
 TELESCOPIC GUIDE  
 TELESKOPFÜHRUNG  
 GUIDE TELESCOPIQUE



- 4 x 84 cm (33.1")
- 1 x MDF 75x120 cm (29.5"x47.2")
- 1 x 40x120 cm (15.7"x47.2")
- 3 x 120 cm (47.2")
- 4 x 75 cm (29.5")
- 1 x 120 cm (47.2")
- 1 x 75 cm (29.5")
- 2 x 60 cm (22.8")
- 10 x [screws]
- 1 x 35 kg (77.2")
- 56 x 107 cm (22.0" x 42.1")
- 2 x 75 cm (29.5")



ESTANTERIAS SIMON S.L. B.50.556.463  
 PG. ALFAMEN C/ POLIGONO C. Nº3  
 ALFAMEN (ZARAGOZA)



**Simon Rack**  
 SINCE 1964 - MANUFACTURER



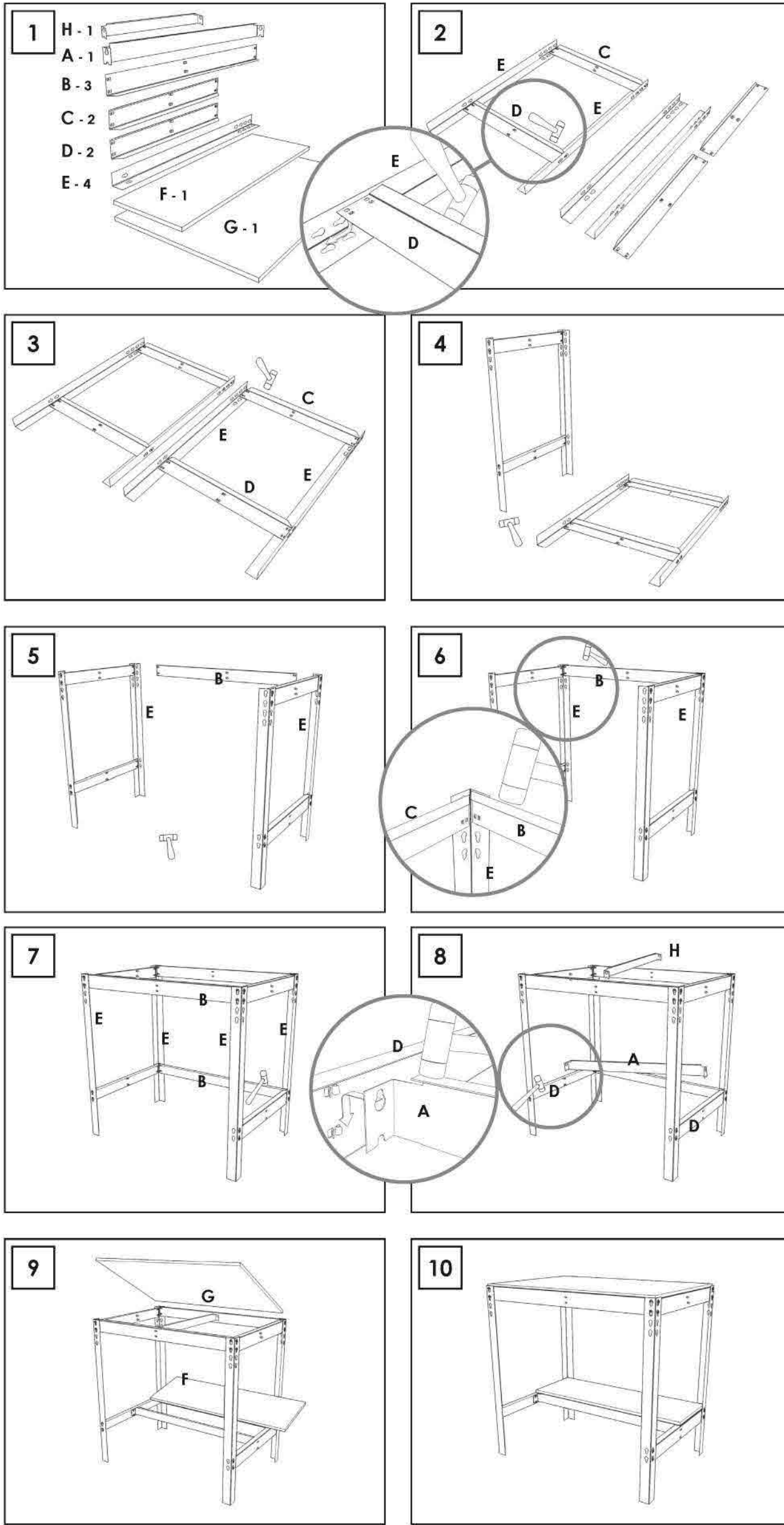
[www.simonrack.com](http://www.simonrack.com)



INSTRUCCIONES  
 INSTRUCTIONS  
 ANLEITUNG  
 INSTRUCTIONS







www.simonrack.com • www.simonrack.com • www.simonrack.com • www.simonrack.com • www.simonrack.com

**SIMONCLASSIC**



**SIMONCLICK**



**SIMONTALLER**



**SIMONAUTO**



**SIMONWORK**



**SIMONLOCKER**



**SIMONOFFICE**



**SIMONHOME**



**SIMONGARDEN**



**SIMONTITAN** | **SIMONINOX**



**SIMONINDUSTRIAL**

SIMONPALET | SIMONLEVER



ALTILLOS Y PASILLOS ELEVADOS  
PLATFORMS AND MEZZANINES  
LAGERBÜHNEN • PLATES-FORMES ET MEZZANINES

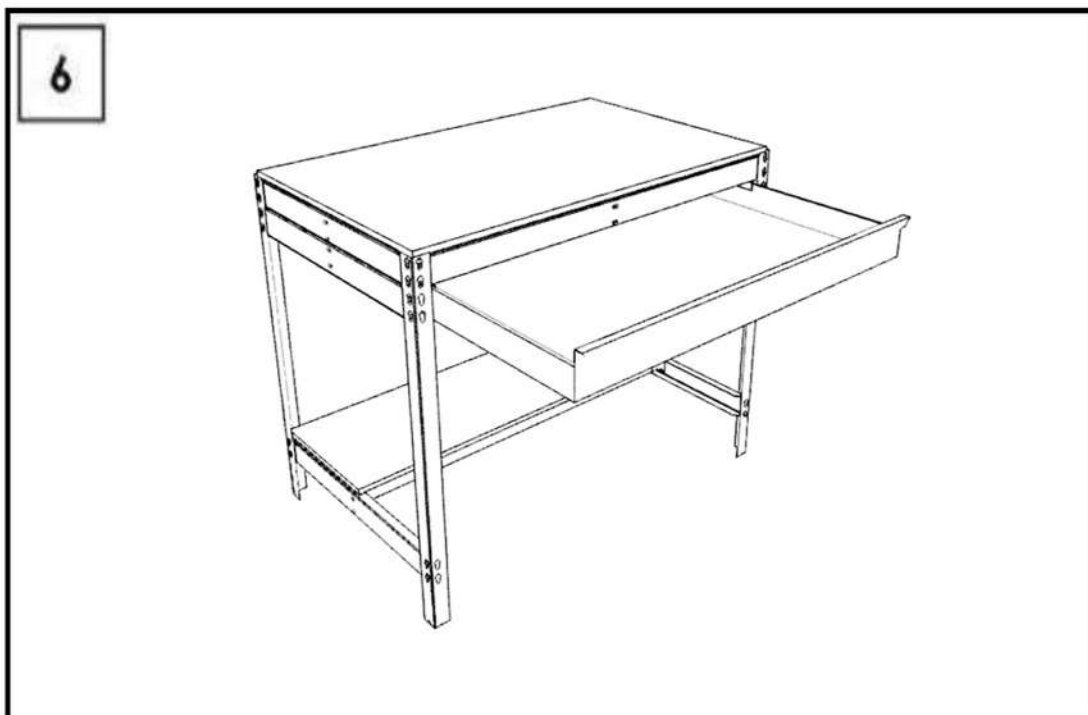
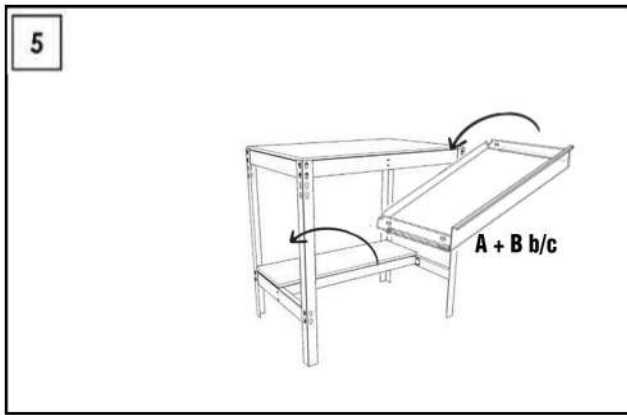
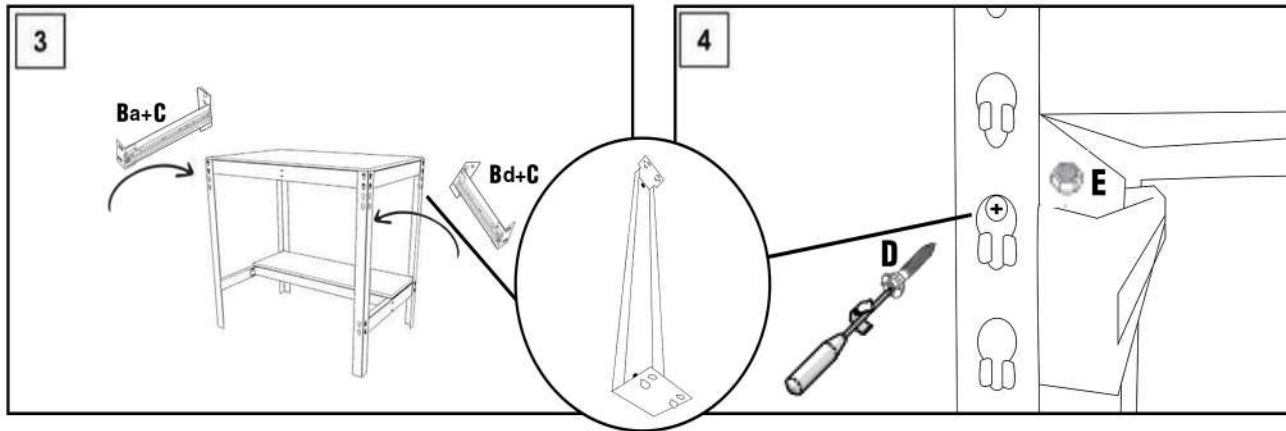
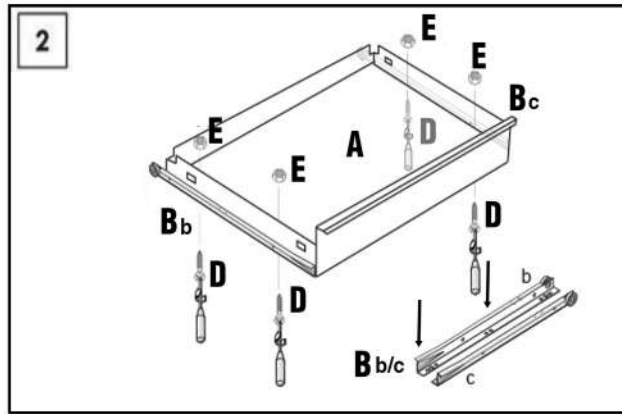
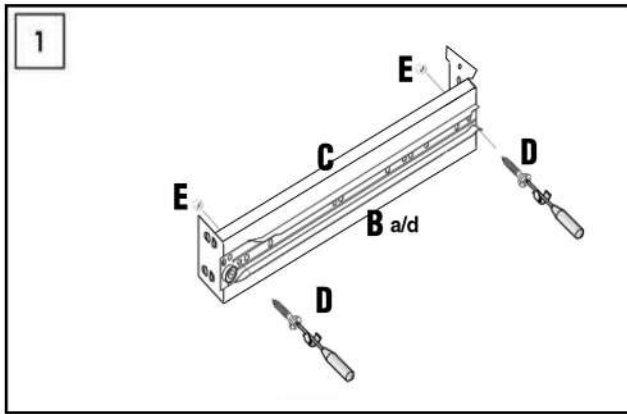
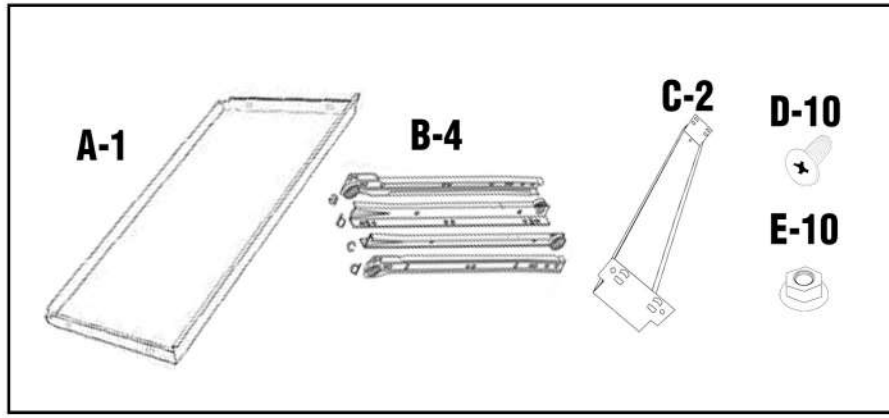
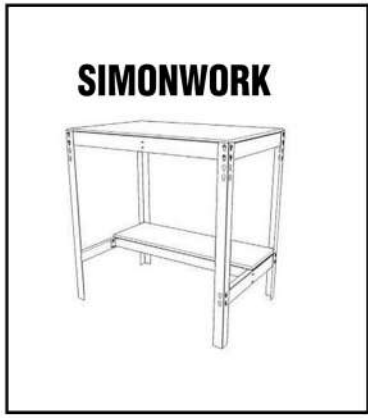


\* Kg / lb per bandeja con carga uniformemente repartida  
Kg / lb per shelf uniformly distributed load  
Kg / lb pro fach bei gleichmäßig verteilter last  
Kg / lb per plateau avec charge uniformément répartie





# BOX BT0-BT5



## SIMONCLASSIC



## SIMONCLICK



## SIMONTALLER



## SIMONAUTO



## SIMONWORK



## SIMONLOCKER



## SIMONOFFICE



## SIMONHOME



## SIMONGARDEN



## SIMONTITÁN



## SIMONINOX



## SIMONINDUSTRIAL



ALTILLOS Y PASILLOS ELEVADOS  
PLATFORMS AND MEZZANINES  
LAGERBÜHNEN • PLATES-FORMES ET MEZZANINES



\* Kg / lb per bandeja con carga uniformemente repartida  
Kg / lb per shelf uniformly distributed load  
Kg / lb pro fach bei gleichmäßig verteilter Last  
Kg / lb par plateau avec charge uniformément répartie

