

# 200 x 120 x 60 cm.

## 78.7" x 47.2" x 23.6"

### BRICOFORTE 1206-5



**Simon**  
Rack  
SINCE 1964 - MANUFACTURER

# Metal

**5** Años Garantía  
Years Guarantee  
Jahre Garantie  
Ans Garantie  
Anos de Garantia  
**SIMONRACK**

**300 kg**  
(660 lb)

**1500 kg**  
(3307 lb)  
**Total**



200 cm. (78.7")

60 cm.  
(23.6")

120 cm.  
(47.2")



On-line instructions: [www.instructionsrack.com/simonrack/bricofortemetal.html](http://www.instructionsrack.com/simonrack/bricofortemetal.html)



VIDEO INSTRUCCIONES

\*MEDIDAS EN USO USED MEASUREMENTS  
MASSNAHMEN IM EINSATZ MESURES EN EMPLOI MEDIDAS EN USO:  
1985 x 1210 x 610 mm (78.1" x 47.6" x 24")



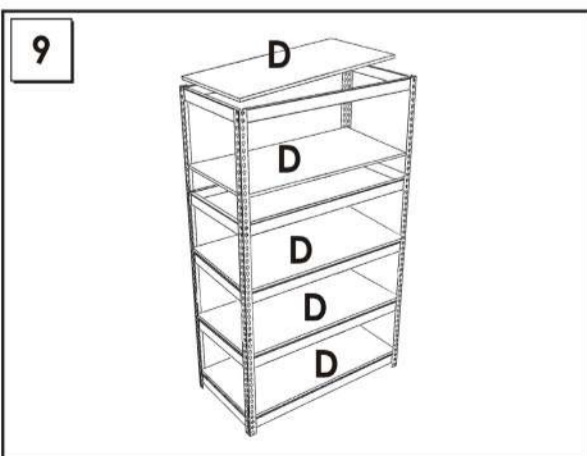
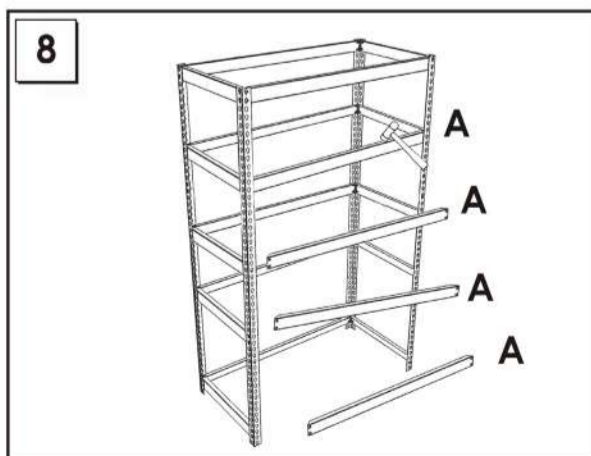
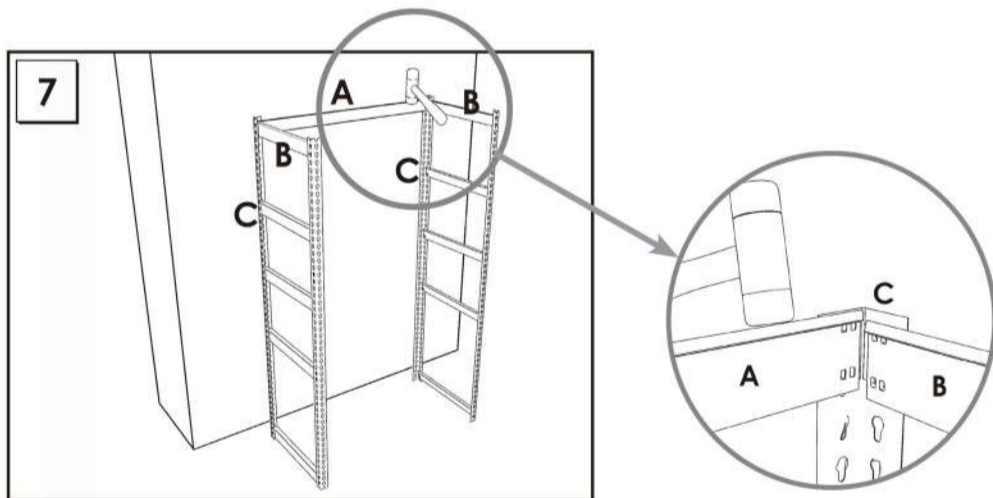
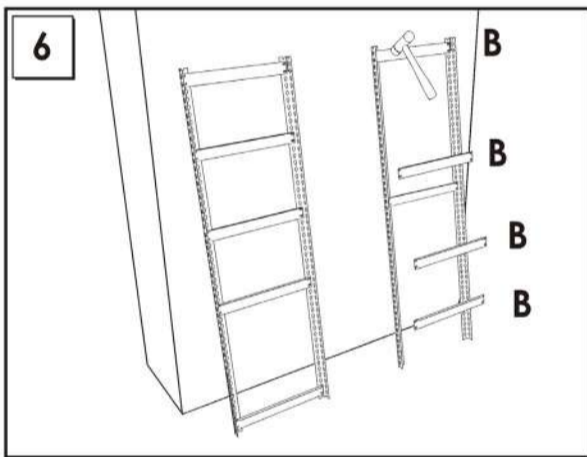
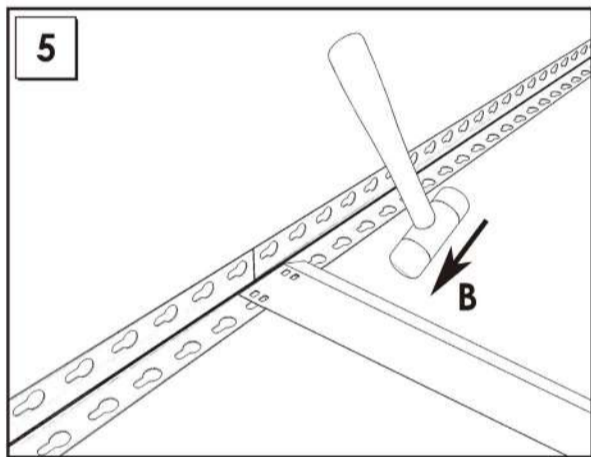
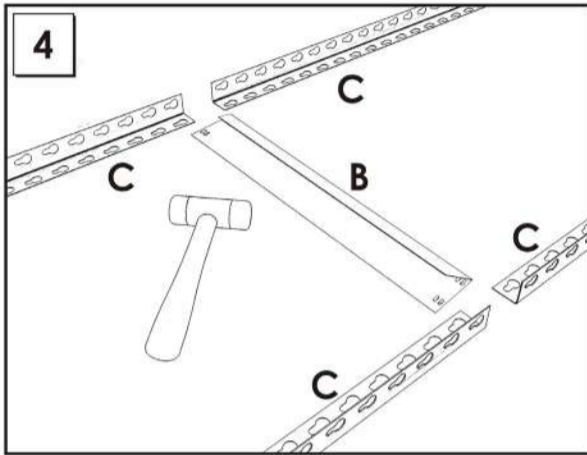
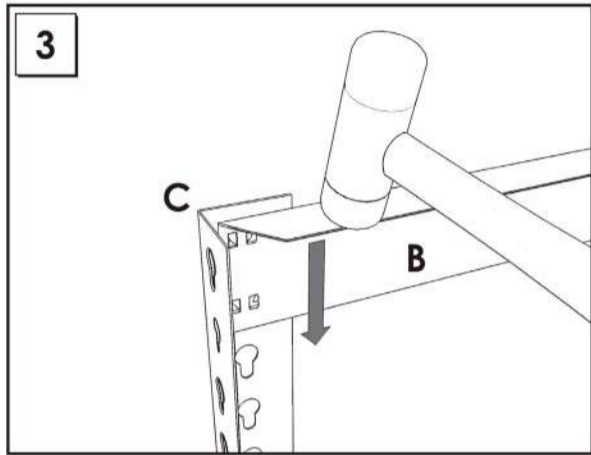
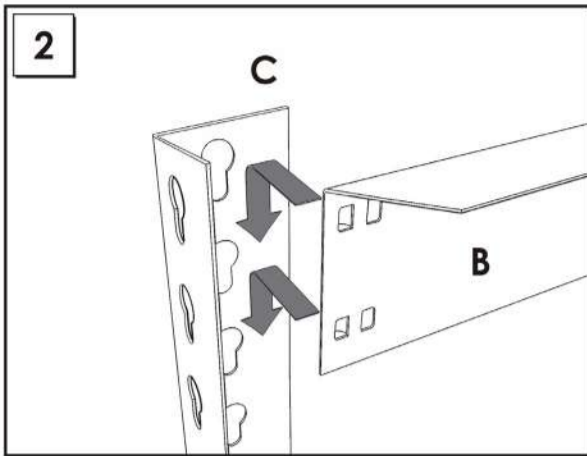
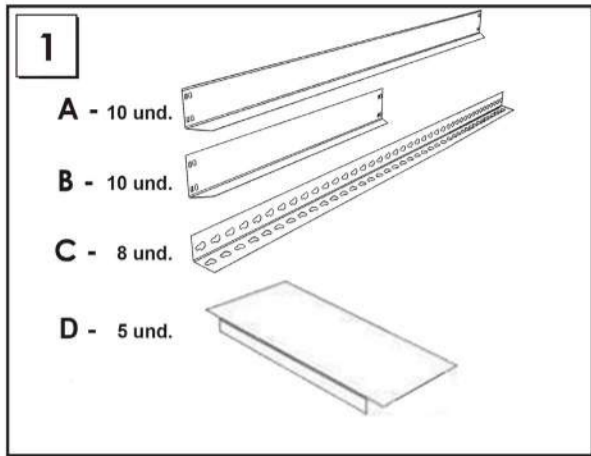
ESTANTERIAS SIMON S.L. B.50.556.463  
PG. ALFAMEN C/ POLIGONO C. Nº3  
ALFAMEN (ZARAGOZA)



[www.simonrack.com](http://www.simonrack.com)



INSTRUCTIONS



**SIMONCLASSIC**



**SIMONCLICK**



**SIMONOFFICE**



**SIMONTALLER**



**BANCOS DE TRABAJO**



**SIMONHOME**



**TAQUILLAS**



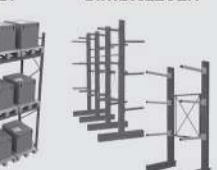
**SIMONTITÁN**



**SIMONINOX**



**SIMONPALET**



**SIMONLEVER**



**ALTILLOS Y PASILLOS ELEVADOS**



www.simonrack.com • www.simonrack.com • www.simonrack.com • www.simonrack.com • www.simonrack.com • www.simonrack.com • www.simonrack.com • www.simonrack.com • www.simonrack.com • www.simonrack.com