

# 200 x 120 x 60 cm

78.7" x 47.2" x 23.6"

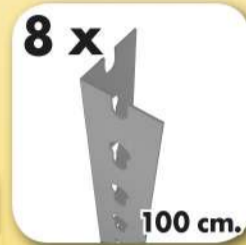
**BRICOFORTE 1206-5**

*Chipboard*



**Simon  
Rack**  
SINCE 1964 - MANUFACTURER

**5** Años Garantía  
Years Guarantee  
Jahre Garantie  
Ans Garantie  
Anos de Garantía  
**SIMONRACK**



\*MEDIDAS EN USO / USED MEASUREMENTS  
MASSNAHMEN IM EINSATZ / MESURES EN EMPLOI / MEDIDAS EM USO:  
1975 x 1210 x 460 mm ( 77.7" x 47.6" x 18.1")



ESTANTERIAS SIMON S.L. B.50.556.463  
PG. ALFAMEN C/ POLIGONO C, Nº3  
ALFAMEN (ZARAGOZA)



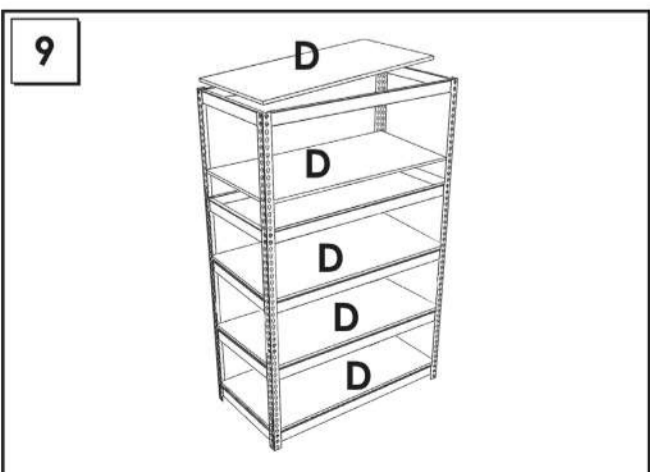
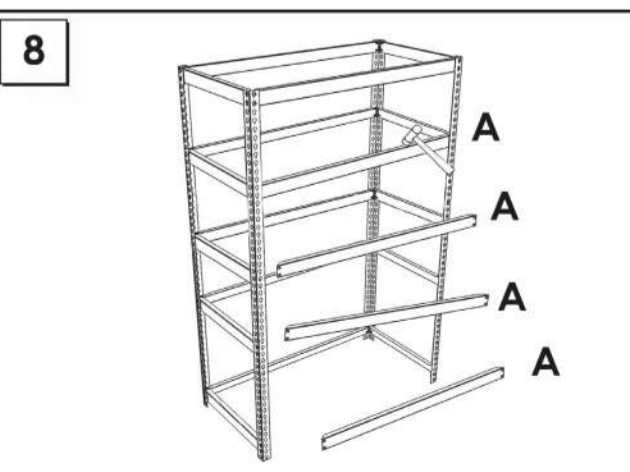
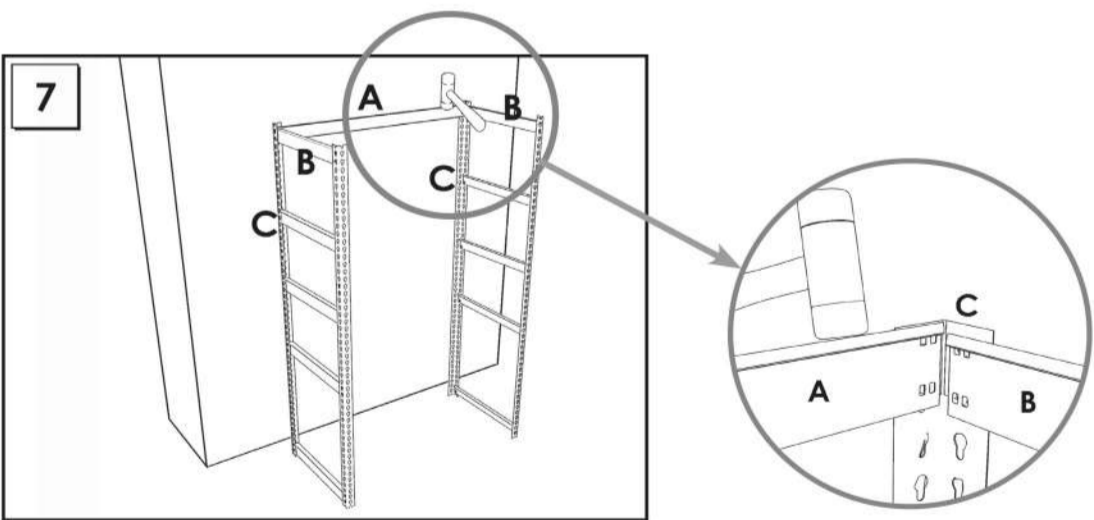
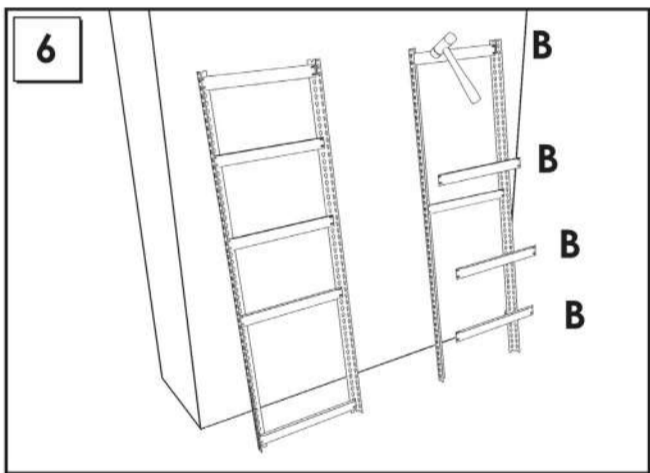
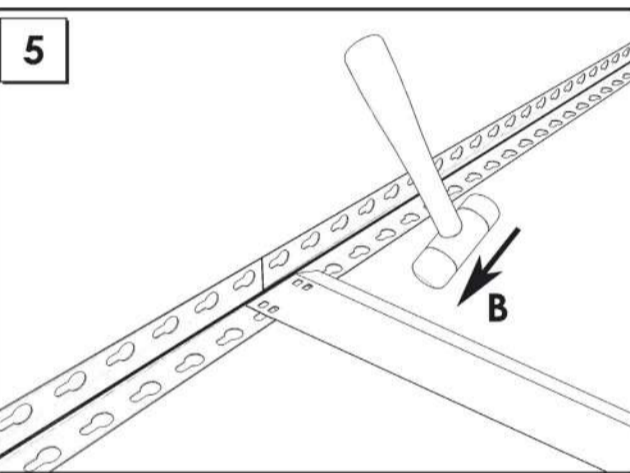
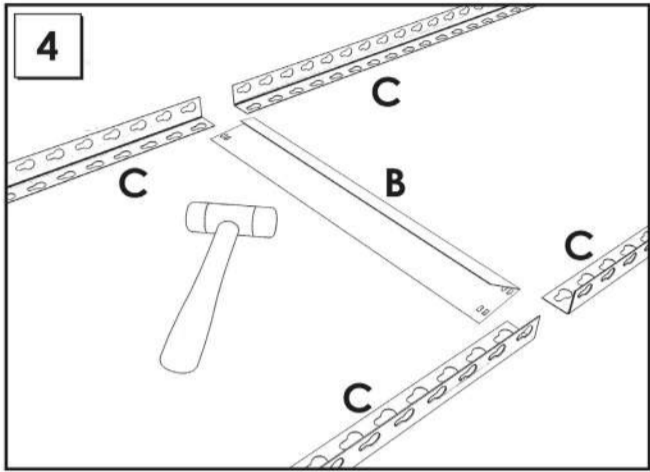
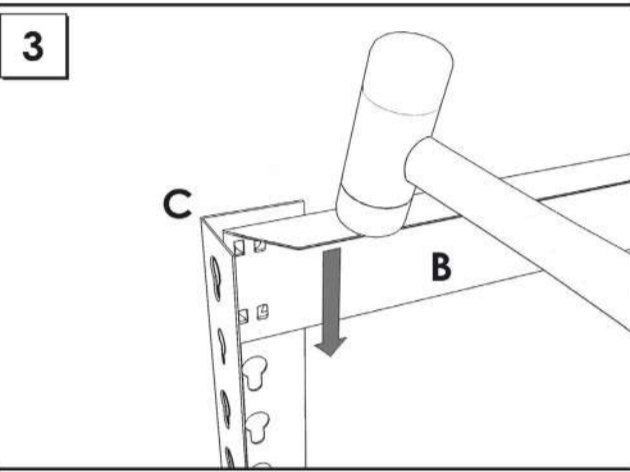
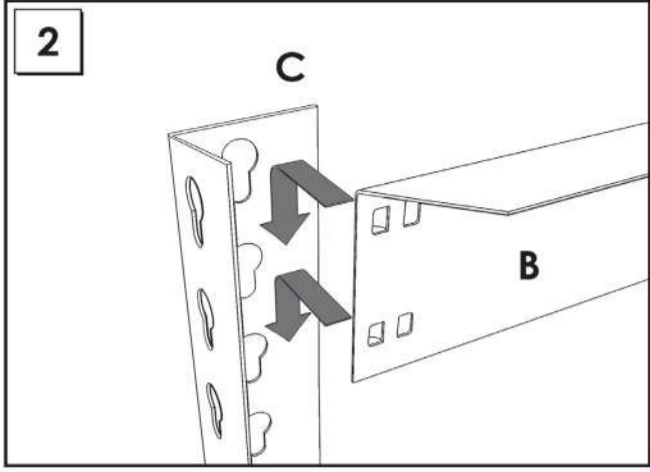
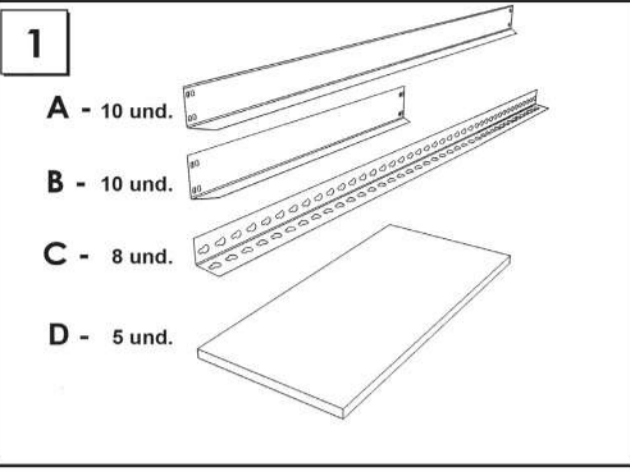
On-line instructions: [www.instructionsrack.com/simontaller](http://www.instructionsrack.com/simontaller)



[www.simonrack.com](http://www.simonrack.com)



INSTRUCTIONS



**SIMONCLASSIC**

**BOLTS SYSTEM**

Up to: **100 Kg.**  
Kg./Shelf  
Uniformly Distributed Load

**SIMONCLICK**

**NO BOLTS SYSTEM**

Up to: **180 Kg.**  
Kg./Shelf  
Uniformly Distributed Load

**SIMONOFFICE**

**NO BOLTS SYSTEM**

Up to: **275 Kg.**  
Kg./Shelf  
Uniformly Distributed Load

**SIMONTALLER**

**NO BOLTS SYSTEM**

Up to: **600 Kg.**  
Kg./Shelf  
Uniformly Distributed Load

**BANCOS DE TRABAJO**

Up to: **800 Kg.**  
Kg./Shelf  
Uniformly Distributed Load

**SIMONHOME**

Up to: **150 Kg.**  
Kg./Shelf  
Uniformly Distributed Load

**TAQUILLAS**

**SIMONTITÁN**

**NO BOLTS SYSTEM**

Up to: **900 Kg.**  
Kg./Shelf  
Uniformly Distributed Load

**SIMONINOX**

**NO BOLTS SYSTEM**

**SIMONPALET**

Up to: **4500 Kg.**  
Kg./Shelf

**SIMONLEVER**

**ALTILLOS Y PASILLOS ELEVADOS**