

# 200 x 100 x 45 cm.

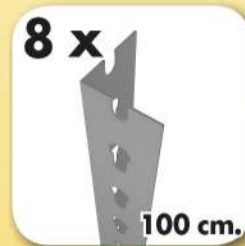
## 78.7" x 39.3" x 17.7"

### BRICOFORTE 1004-5 Chipboard



**Simon  
Rack**  
SINCE 1964 - MANUFACTURER

**5** Años Garantía  
Years Guarantee  
Jahre Garantie  
Ans Garantie  
Anos de Garantía  
**SIMONRACK**



\*MEDIDAS EN USO / USED MEASUREMENTS  
MASSNAHMEN IM EINSATZ / MESURES EN EMPLOI / MEDIDAS EM USO:  
1985 x 1010 x 460 mm ( 78.1" x 39.7" x 18.1")



ESTANTERIAS SIMON S.L. B.50.556.463  
PG. ALFAMEN C/ POLIGONO C, Nº3  
ALFAMEN (ZARAGOZA)



On-line instructions: [www.instructionsrack.com/simontaller](http://www.instructionsrack.com/simontaller)

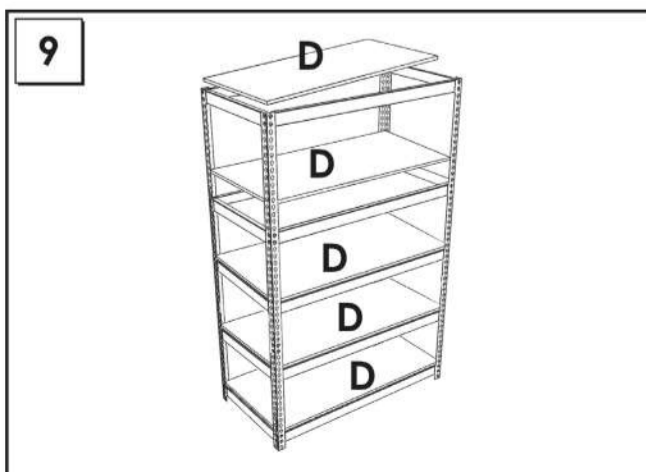
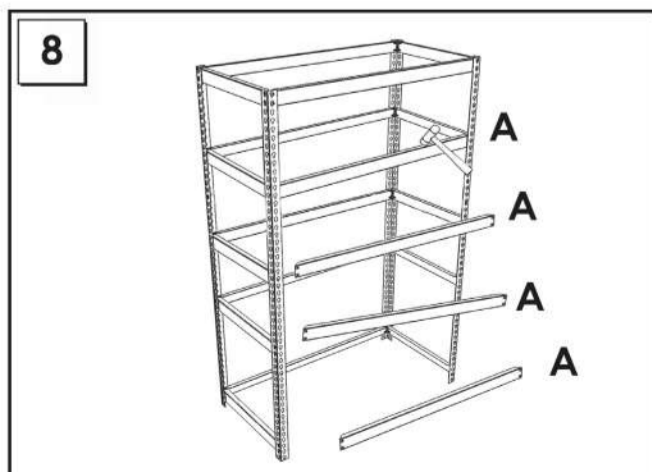
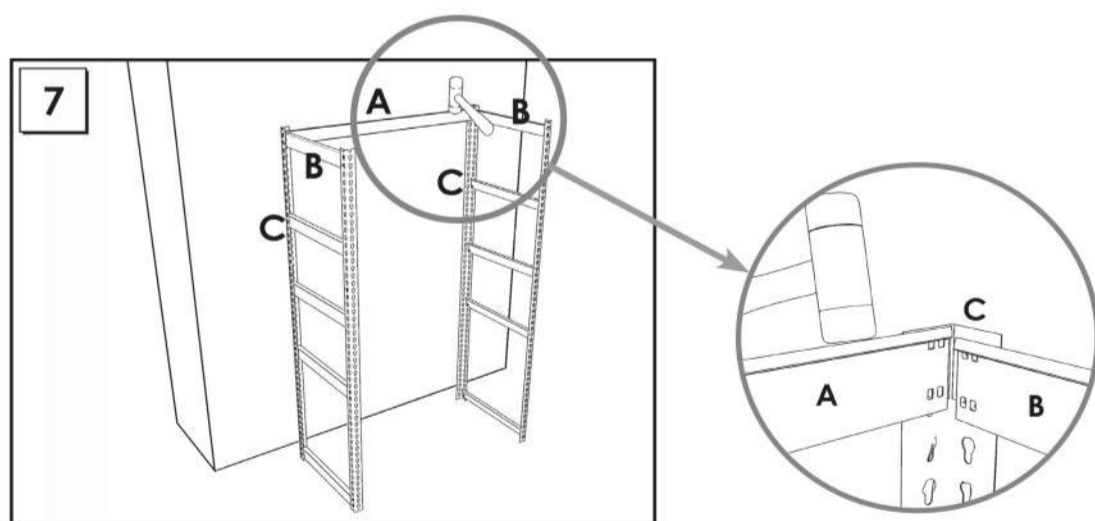
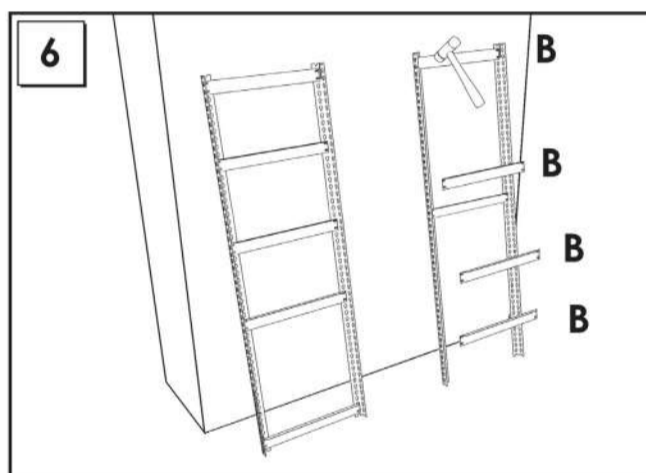
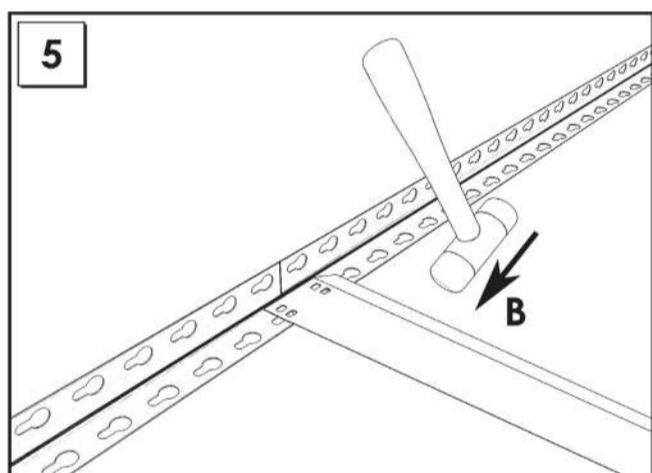
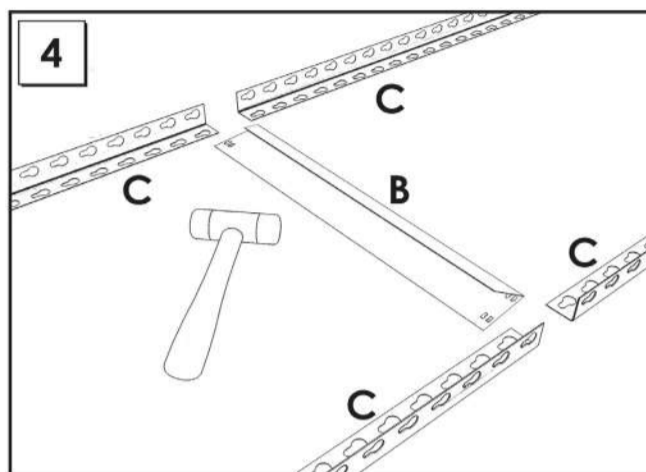
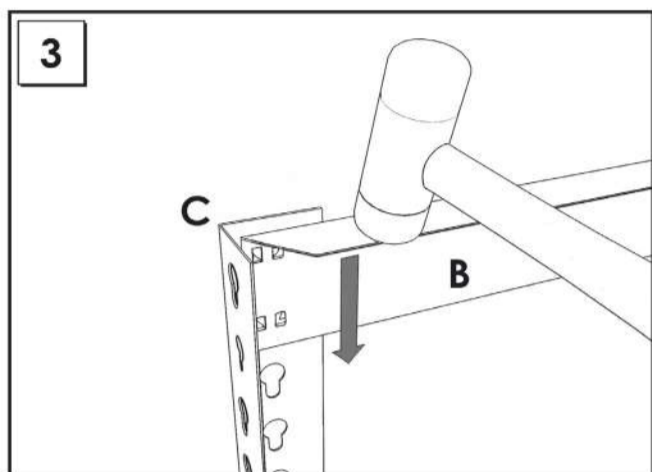
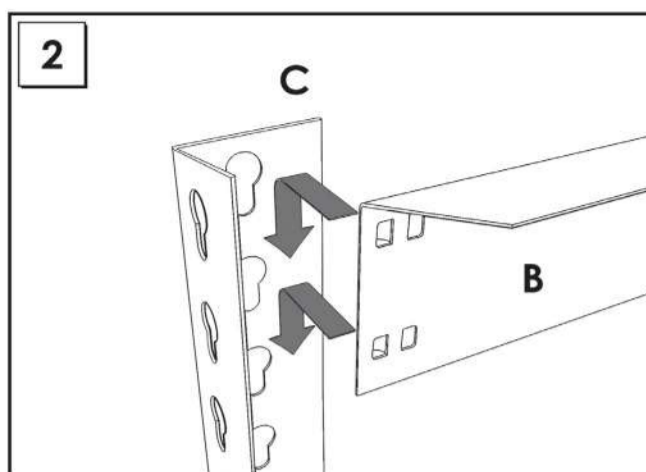
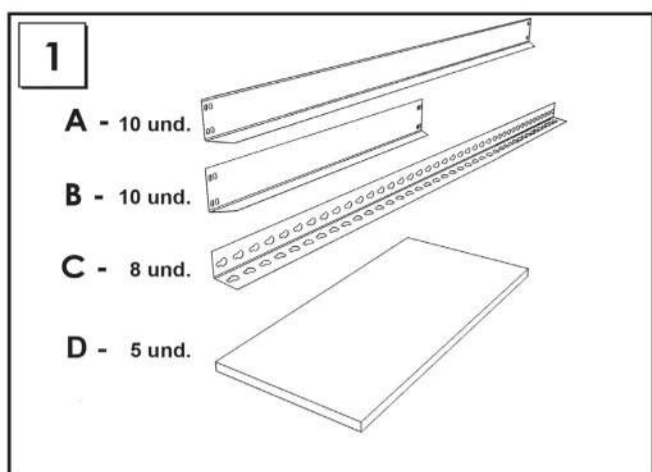
[www.simonrack.com](http://www.simonrack.com)



[www.simonrack.com](http://www.simonrack.com)



INSTRUCTIONS



www.simonrack.com • www.instructionsrack.com

**SIMONCLASSIC**



**SIMONCLICK**



**SIMONOFFICE**



**SIMONTALLER**



**BANCOS DE TRABAJO**



**SIMONHOME**



**TAQUILLAS**



**SIMONTITÁN**



**SIMONINOX**



**SIMONPALET**



**SIMONLEVER**



**ALTILLOS Y PASILLOS ELEVADOS**

