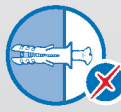


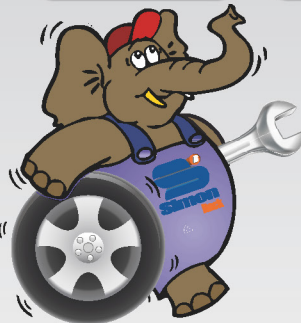
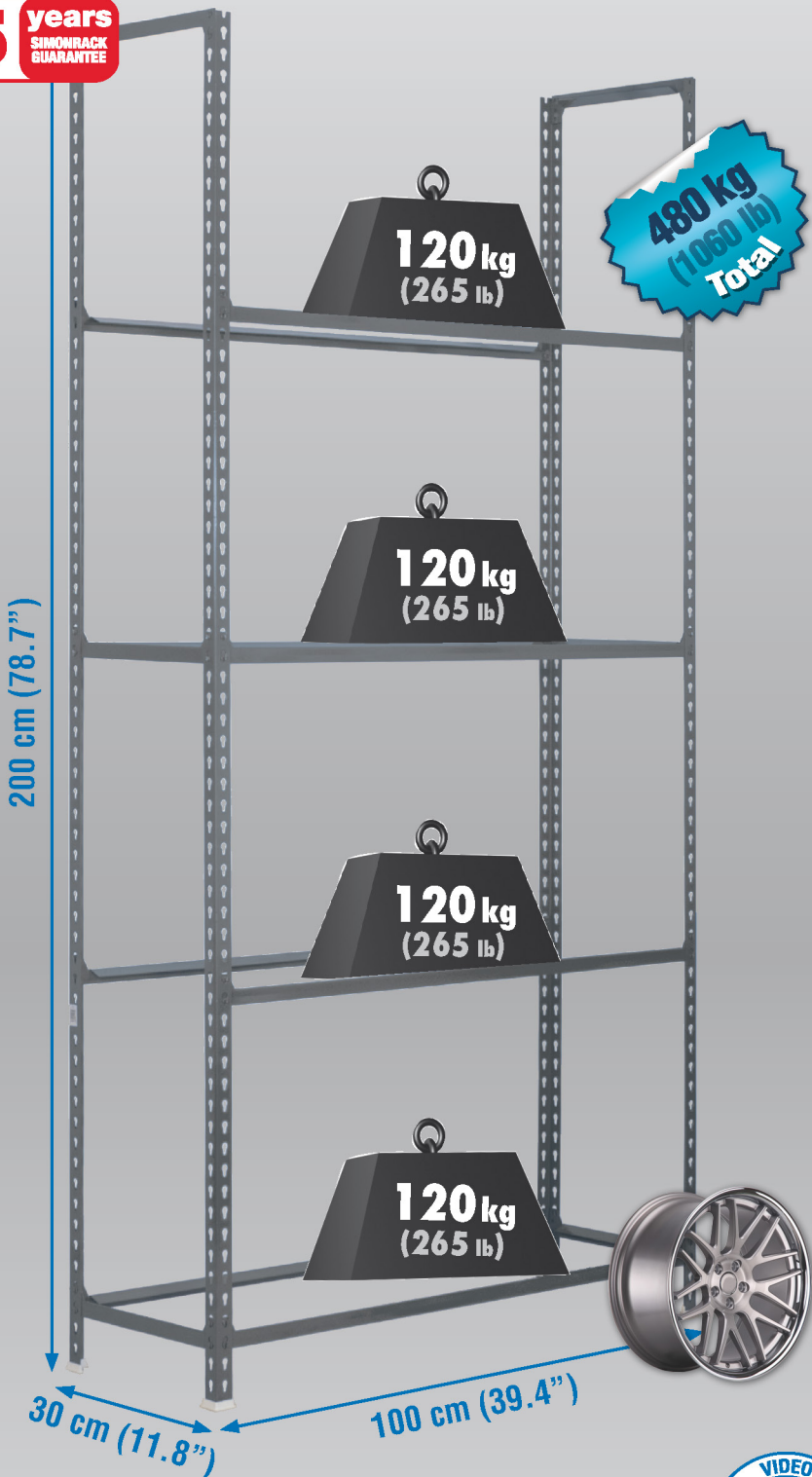
# 200 x 100 x 30 cm\*

## 78.7" x 39.4" x 11.8"

### KIT AUTOCLICK LLANTAS PLUS 4-300



**5 years**  
SIMONRACK  
GUARANTEE



\*MEDIDAS EN USO: 1979 x 1011 x 310 mm  
USED MEASUREMENTS: 77.91" x 39.80" x 12.20"



ESTANTERIAS SIMON S.L. B.50.556.463  
PG. ALFAMEN C/ POLIGONO C, Nº3  
ALFAMEN (ZARAGOZA)

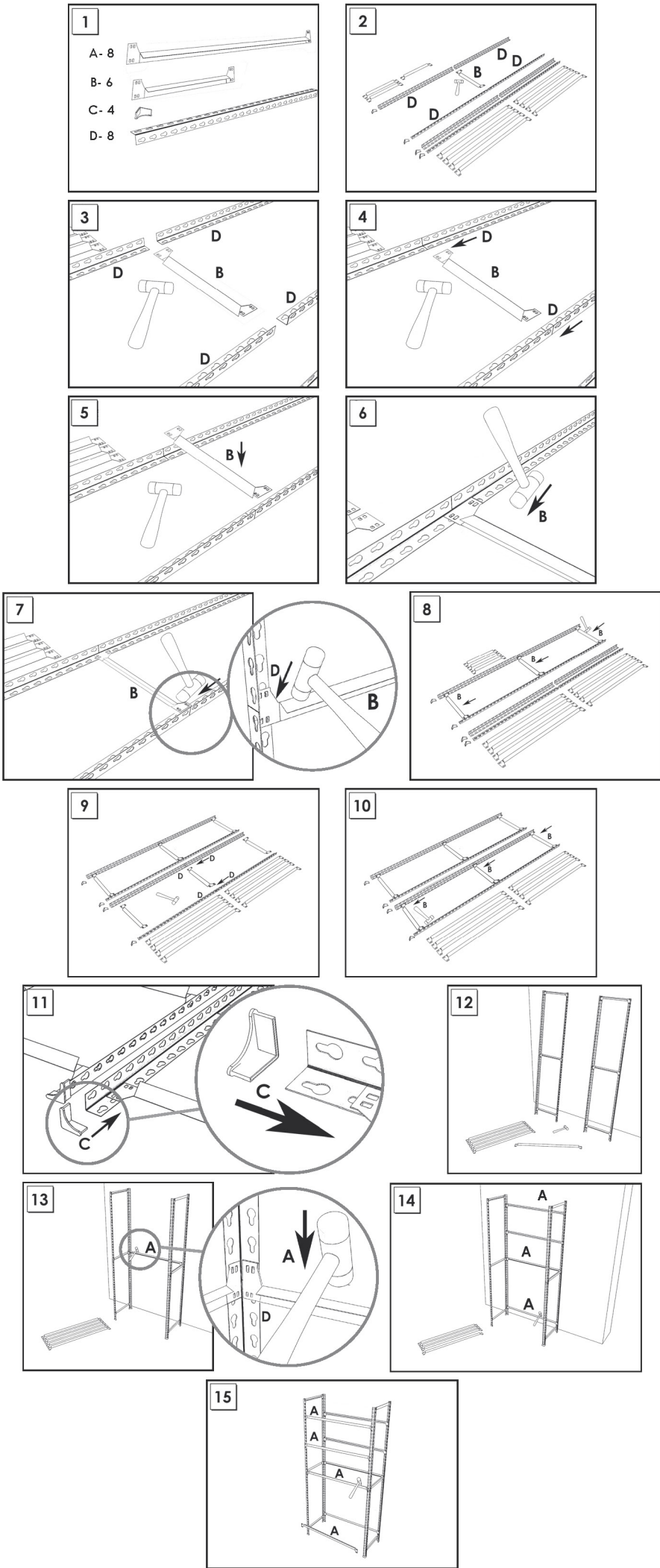
**Simon**  
**Rack**  
SINCE 1964 - MANUFACTURER  
[www.simonrack.com](http://www.simonrack.com)

[www.simonrack.com](http://www.simonrack.com)



Management System  
ISO 9001:2008  
[www.tuv.com](http://www.tuv.com)  
ID 9105044226

INSTRUCTIONS



On-line instructions: [www.instructionsrack.com/autoclickllantas](http://www.instructionsrack.com/autoclickllantas)

[www.simonrack.com](http://www.simonrack.com) • [www.simonrack.com](http://www.simonrack.com) • [www.simonrack.com](http://www.simonrack.com) • [www.simonrack.com](http://www.simonrack.com)

**SIMONCLASSIC**



Up to:  
**150 Kg**  
(331 lb)  
Kg/Shelf  
Uniformly Distributed Load



**SIMONCLICK**



Up to:  
**400 Kg**  
(882 lb)  
Kg/Shelf  
Uniformly Distributed Load



**SIMONOFFICE**



Up to:  
**275 Kg**  
(606 lb)  
Kg/Shelf  
Uniformly Distributed Load



**SIMONTALLER**



Up to:  
**700 Kg**  
(1543 lb)  
Kg/Shelf  
Uniformly Distributed Load



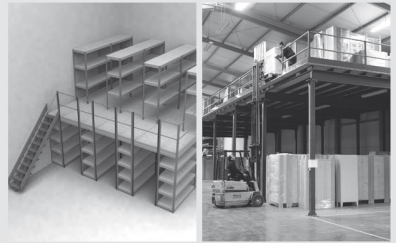
**BANCOS DE TRABAJO**



Up to:  
**800 Kg**  
(1764 lb)  
Kg/Shelf  
Uniformly Distributed Load



**ALTILLOS Y PASILLOS ELEVADOS**



**SIMONHOME**

Up to:  
**150 Kg**  
(331 lb)  
Kg/Shelf  
Uniformly Distributed Load



**TAQUILLAS**



**SIMONINOX**



Up to:  
**600 Kg**  
(1323 lb)  
Kg/Shelf  
Uniformly Distributed Load



**SIMONTITÁN**



Up to:  
**900 Kg**  
(1984 lb)  
Kg/Shelf  
Uniformly Distributed Load



**SIMONPALET**

Up to:  
**4300 Kg**  
(9211 lb)  
Kg/Shelf  
Uniformly Distributed Load



**SIMONLEVER**

