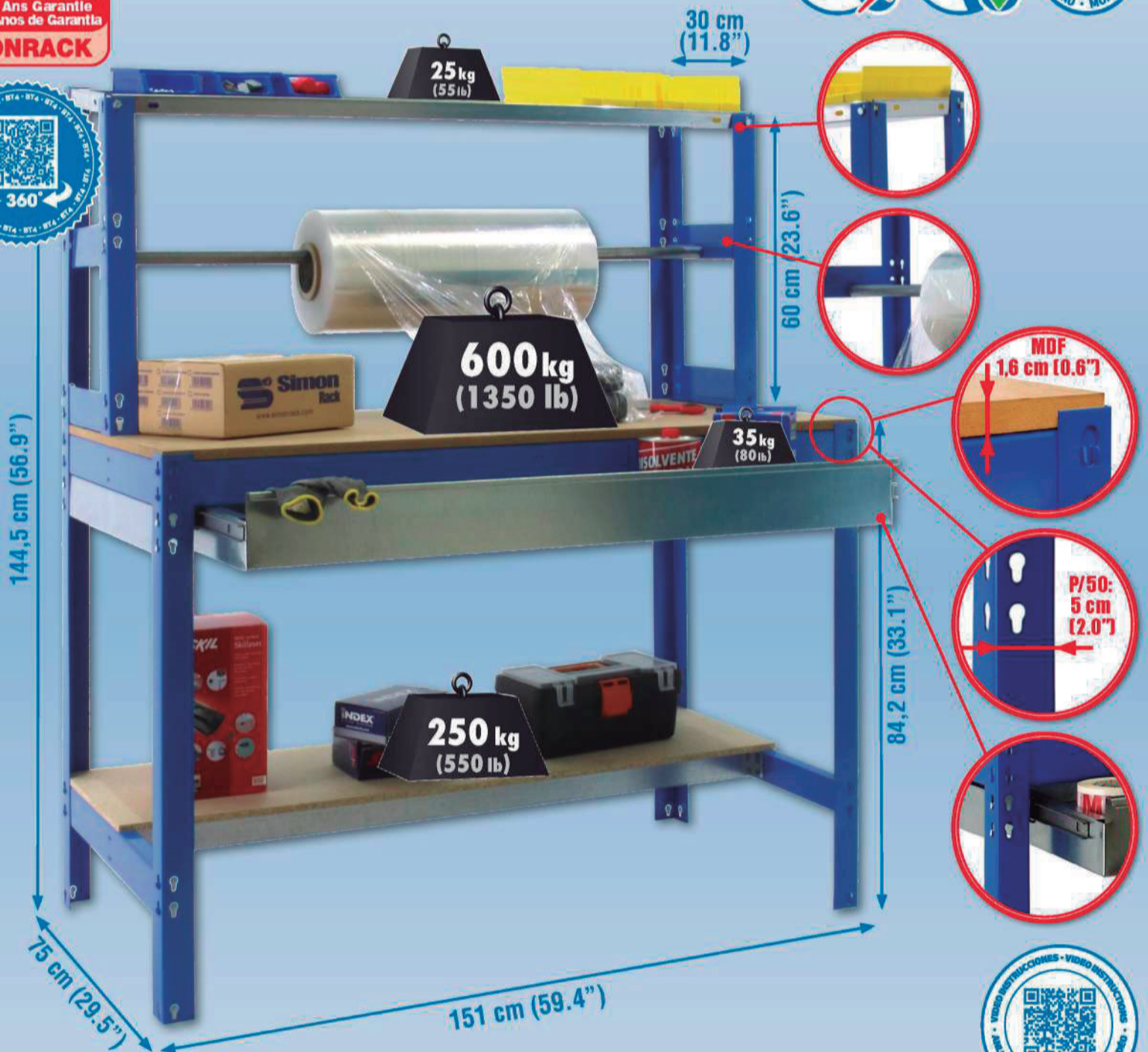


# SIMONWORK BT4 BOX 1500

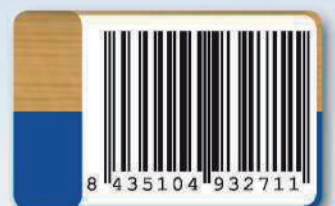


**144,5 x 151 x 75 cm**  
**56.9" x 59.4" x 29.5"**

**5** Años Garantía  
 Years Guarantee  
 Jahre Garantie  
 Ans Garantie  
 Anos de Garantia  
**SIMONRACK**



- |                        |                                        |                        |                                                |                                 |                                                     |
|------------------------|----------------------------------------|------------------------|------------------------------------------------|---------------------------------|-----------------------------------------------------|
| 2 x<br>56 cm<br>22.0"  | 1 x<br>MDF<br>75x150 cm<br>29.5"x59.1" | 3 x<br>150 cm<br>59.1" | 4 x<br>2 x<br>75 cm<br>29.5"<br>30 cm<br>11.8" | 1 x<br>150x30 cm<br>59.1"x11.8" | 8 x                                                 |
| 2 x<br>84 cm<br>33.1"  | 1 x<br>40x150 cm<br>15.7"x59.1"        |                        |                                                |                                 |                                                     |
| 2 x<br>144 cm<br>56.7" |                                        |                        |                                                |                                 |                                                     |
| 1 x<br>150 cm<br>59.1" | 2 x<br>30 cm<br>11.8"                  | 1 x<br>150 cm<br>59.1" | 2 x<br>75 cm<br>29.5"                          | 2 x<br>60 cm<br>(22.8")         | 1 x<br>35 kg<br>(80 lb)<br>56x137 cm<br>22.0"x53.9" |
| 1 x<br>75 cm<br>29.5"  |                                        |                        |                                                | 10 x                            |                                                     |



ESTANTERIAS SIMON S.L. B.50.556.463  
 PG. ALFAMEN C/ POLIGONO C. Nº3  
 ALFAMEN (ZARAGOZA)



**Simon  
 Rack**  
 SINCE 1964 - MANUFACTURER



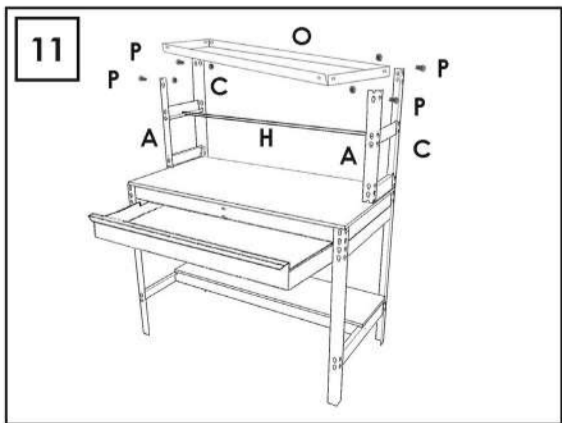
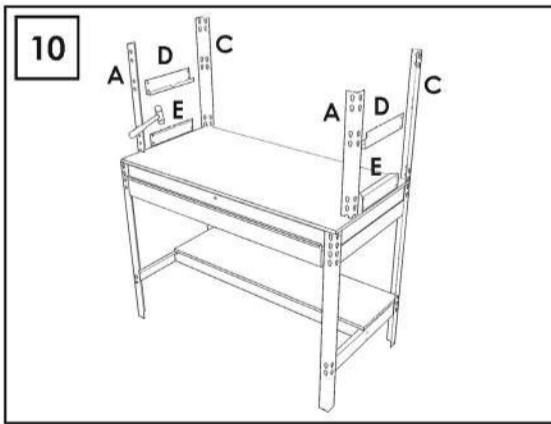
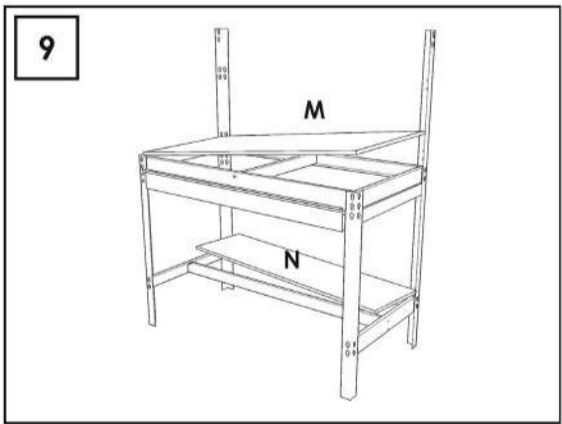
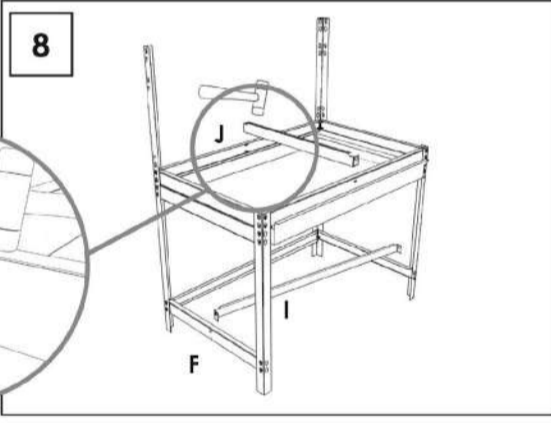
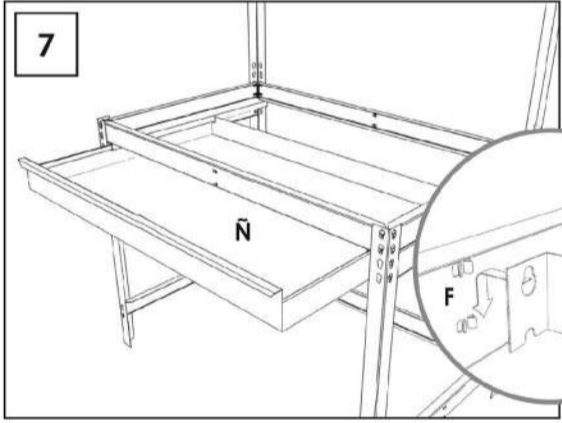
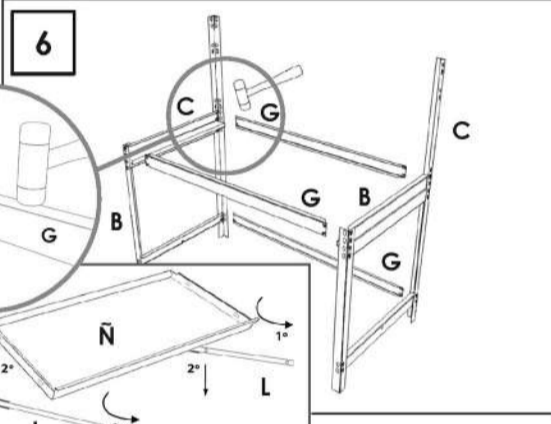
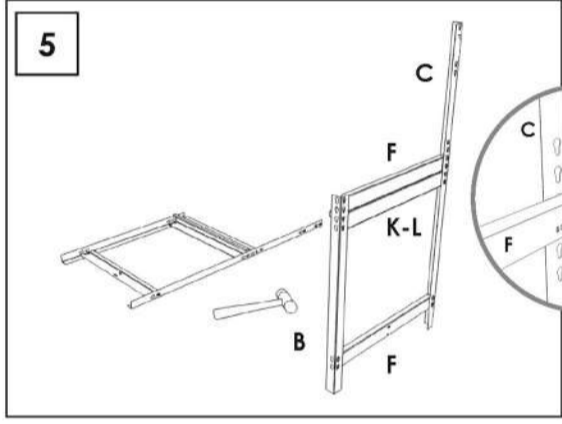
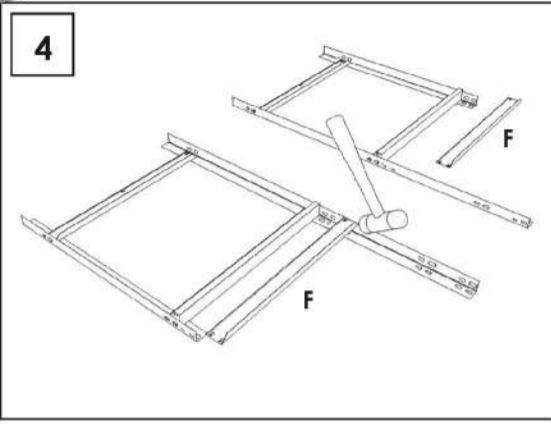
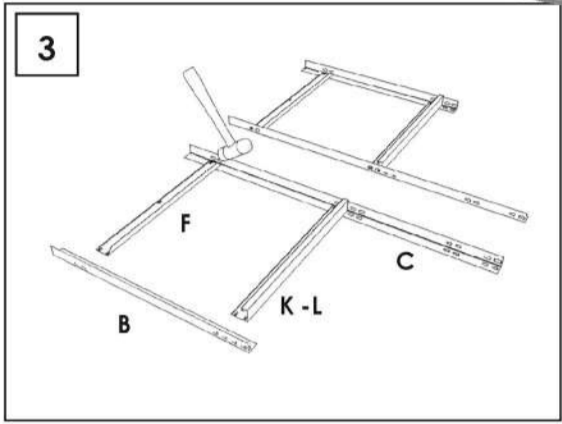
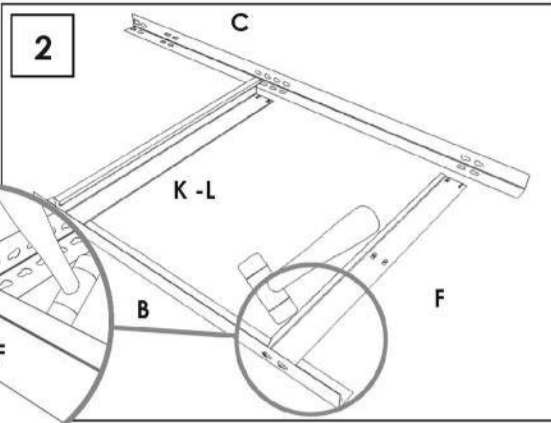
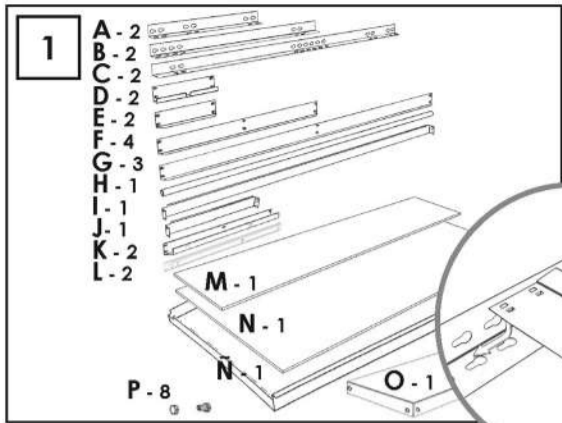
[www.simonrack.com](http://www.simonrack.com)



EMPRESA CERTIFICADA  
 EN SISTEMA DE GESTION DE CALIDAD  
**ISO**  
 9001:2015

INSTRUCCIONES  
 INSTRUCTIONS  
 ANLEITUNG  
 INSTRUCTIONS





**SIMONCLASSIC**

150 kg / 330 lb

**SIMONCLICK**

400 kg / 900 lb

**SIMONTALLER**

700 kg / 1550 lb

**SIMONAUTO**

300 kg / 660 lb

**SIMONWORK**

600 kg / 1300 lb

**SIMONLOCKER**

**SIMONOFFICE**

275 kg / 600 lb

**SIMONHOME**

150 kg / 330 lb

**SIMONGARDEN**

600 kg / 1350 lb

**SIMONTITÁN**      **SIMONINOX**

900 kg / 1980 lb

**SIMONINDUSTRIAL**

**SIMONPALET**      **SIMONLEVER**

4500 kg / 9950 lb

ALTILLOS Y PASILLOS ELEVADOS  
PLATFORMS AND MEZZANINES  
LAGERBÜHNEN • PLATES-FORMES ET MEZZANINES

www.simonrack.com • www.instructionsrack.com • bt4



\* Kg / lb por bandeja con carga uniformemente repartida  
Kg / lb per shelf uniformly distributed load  
Kg / lb pro fach bei gleichmäßig verteilter Last  
Kg / lb par plateau avec charge uniformément répartie

